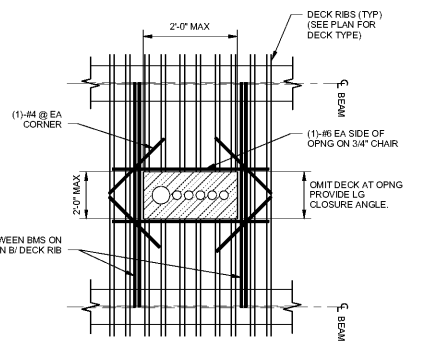
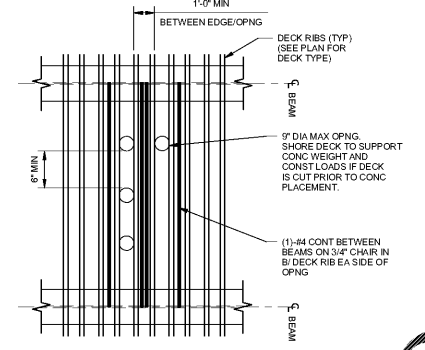


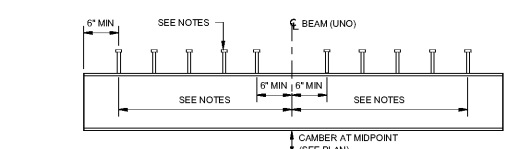
TYPICAL COMPOSITE FRAMING CONSTRUCTION JOINT LOCATION
SCALE: 3/8" = 1'-0"



TYPICAL COMPOSITE SLAB PIPE PENETRATION
SCALE: 1" = 1'-0"



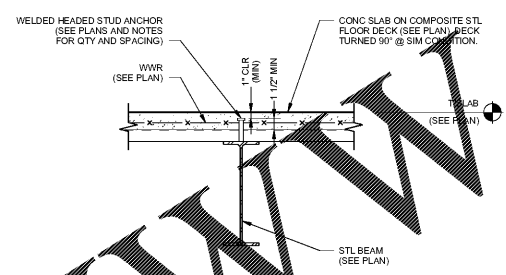
ISOLATED OPENINGS
SCALE: 1" = 1'-0"



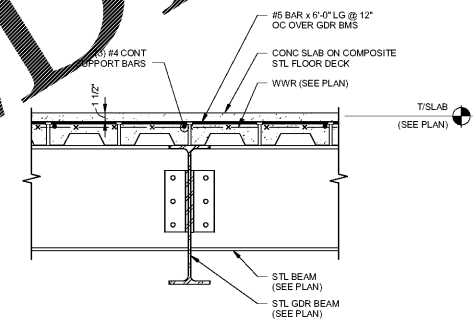
- NOTES:**
- FOR BEAMS PERPENDICULAR TO DECK SPAN:
 - EQUALLY SPACE ANCHORS IN ONE ROW ALONG BEAM AT A MAXIMUM SPACING OF 24" OC. NOTIFY ENGINEER IF THERE ARE INSUFFICIENT ANCHORS TO SPACE AT 24" OC ALONG THE BEAM.
 - MINIMUM ANCHOR SPACING ALONG BEAM IS 3" OC (4x STUD DIAMETER).
 - IF THERE ARE ANCHORS REMAINING, ASSIGN ONE ANCHOR TO EVERY OTHER RIB WITHOUT AN ANCHOR STARTING AT EACH END OF THE BEAM.
 - IF THERE ARE STILL ANCHORS REMAINING, ASSIGN ONE ANCHOR TO EACH RIB WITHOUT AN ANCHOR, AGAIN STARTING AT EACH END OF THE BEAM.
 - IF NUMBER OF ANCHORS EXCEEDS NUMBER OF RIBS, ASSIGN ONE ANCHOR TO EACH RIB. ASSIGN SECOND ANCHOR TO EACH RIB STARTING AT EACH END OF BEAM UNTIL ALL ANCHORS ARE USED. SEE A-A FOR MINIMUM ANCHOR SPA. EDGE OF ANCHORS SHALL BE LOCATED A MINIMUM OF 1 1/8" (1.5x STUD DIAMETER) FROM EDGE OF BEAM FLANGE (2" GAUGE). WELD ANCHORS AFTER ASSIGNING IS COMPLETE.
 - FOR BEAMS PARALLEL TO DECK SPAN:
 - EQUALLY SPACE TOTAL QUANTITY OF ANCHORS IN ONE ROW ALONG BEAM. IF QUANTITY OF ANCHORS EXCEEDS THE MINIMUM SPACING IN NOTE b BELOW, INSTALL ANCHORS IN TWO ROWS ALONG BEAM.
 - MINIMUM ANCHOR SPACING ALONG BEAM IS 4 1/2" OC (6x STUD DIAMETER).
 - FOR ONE ROW OF ANCHORS, LOCATE ANCHORS OVER BEAM WEB. FOR TWO ROWS OF ANCHORS, SEE B-B FOR MINIMUM ANCHOR SPA. EDGE OF ANCHORS SHALL BE LOCATED A MINIMUM OF 1 1/8" (1.5x STUD DIAMETER) FROM EDGE OF BEAM FLANGE. (2" GAUGE).
 - SEE COMPOSITE FLOOR SYSTEM NOTES AND FRAMING PLAN FOR HEADED STUD ANCHOR SIZE, LENGTH AND QUANTITY.

DECK PERPENDICULAR TO STEEL BEAM

DECK PARALLEL TO STEEL BEAM

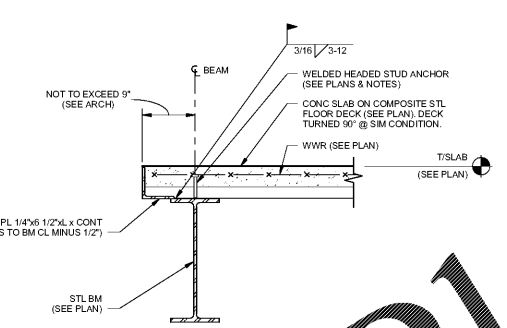


TYPICAL COMPOSITE STEEL BEAM
SCALE: 1" = 1'-0"

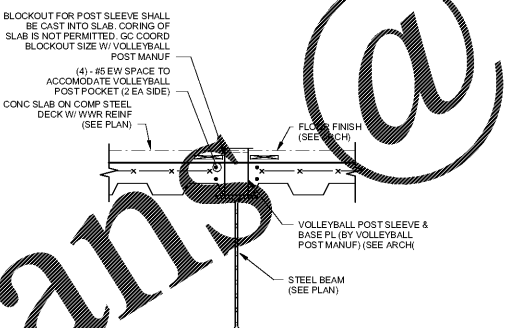


TYPICAL COMPOSITE STEEL GIRDER
SCALE: 1" = 1'-0"

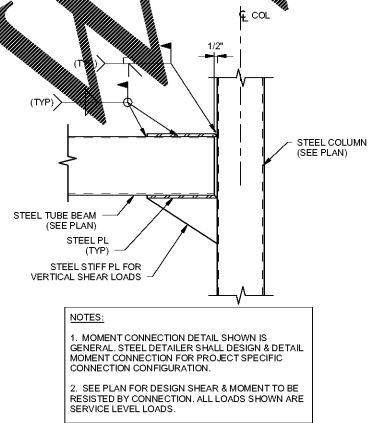
TYPICAL DISTRIBUTED HEADED STUD ANCHOR PLACEMENT
SCALE: 1" = 1'-0"



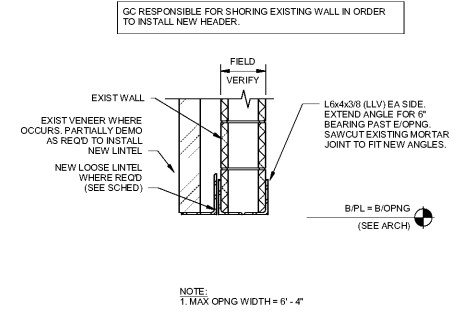
EDGE OF SLAB DETAIL AT INTERIOR CONDITIONS
SCALE: 1" = 1'-0"



TYPICAL DETAIL
SCALE: 1" = 1'-0"



TYPICAL TUBE BEAM TO COL MOMENT CONNECTION
SCALE: 1" = 1'-0"



TYPICAL HEADER @ NEW OPNG IN EXIST WALL
SCALE: 1" = 1'-0"



CGLS ARCHITECTS
CHAPMAN GRIFFIN LANIER SUSENBACH ARCHITECTS
2017
REGISTERED PROFESSIONAL ARCHITECTS
STATE OF GEORGIA
NO. 20082
11/03/2018

PES STRUCTURAL ENGINEERS
REGISTERED PROFESSIONAL ENGINEERS
STATE OF GEORGIA
NO. 12082
11/03/2018

DATE	NO.	DESCRIPTION
06/16/18		NOI CONSTRUCTION DOCUMENTS
06/17/18		NOI CHECK-SET/ PERMIT SET
10/15/18		FINAL ISSUE SUBMITTED FOR PROPOSALS
11/01/18		

DATE	NO.	DESCRIPTION
06/16/18		NOI CONSTRUCTION DOCUMENTS
06/17/18		NOI CHECK-SET/ PERMIT SET
10/15/18		FINAL ISSUE SUBMITTED FOR PROPOSALS
11/01/18		

CHAPMAN GRIFFIN LANIER SUSENBACH ARCHITECTS
2500 Cumberland Pkwy., Suite 350, Atlanta, Ga 30339 Phone: 404.733.5419

RIVERWOOD HIGH SCHOOL - PHASE 3 - AUDITORIUM/GYMNASIUM ADDITION
5900 RAIDER DRIVE NW SANDY SPRINGS, GA 30328
FULTON COUNTY SCHOOLS RFP NO. XXX-XX

FLOOR FRAMING SECTIONS & DETAILS

PROJECT NO. 0217302.00
DATE: 09/17/18
DRAWN BY: RAS
CHECKED BY: ACB

S-4.11

Order Plans @ www.LDILine.com