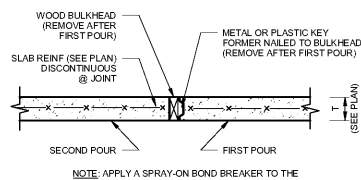
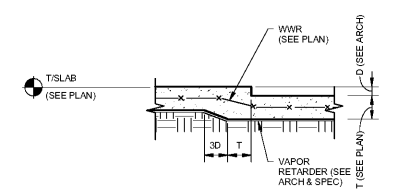


SAWCUT CONTRACTION JOINT

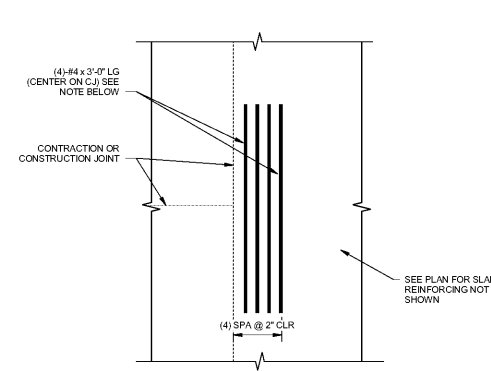


CONSTRUCTION JOINT

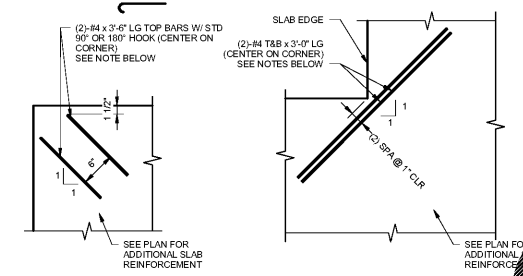
TYPICAL DETAIL
SCALE: 1" = 1'-0"



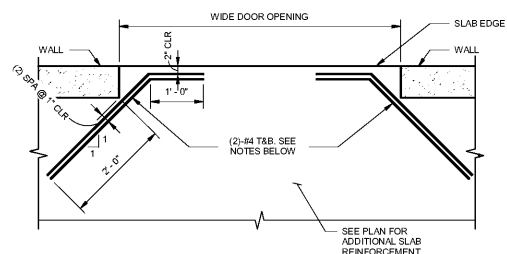
TYPICAL DEPRESSED SLAB
SCALE: 1" = 1'-0"



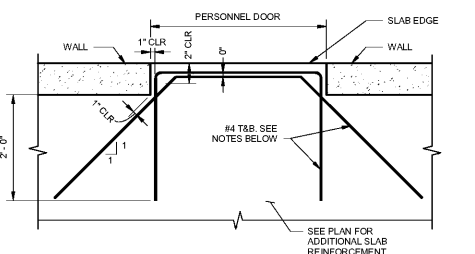
TYPICAL DEAD END CONTROL JOINT REINFORCING
SCALE: 1" = 1'-0"



TYPICAL ADDITIONAL SLAB CORNER REINFORCING
SCALE: 1" = 1'-0"



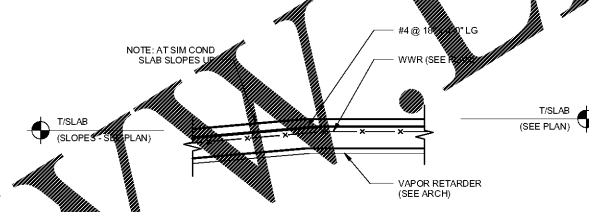
WIDE DOOR OPENING



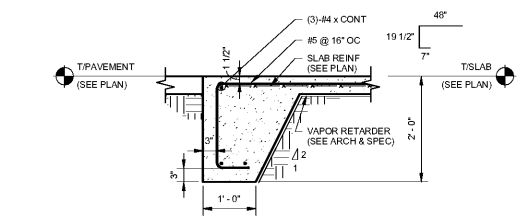
PERSONNEL DOOR OPENING

NOTES:
1. INSTALL REINFORCING 1" CLEAR FROM TOP OF SLAB AND 2" CLEAR FROM BOTTOM OF SLAB. BOTTOM REINFORCING MAY BE OMITTED WHEN SLAB THICKNESS IS LESS THAN 6".
2. DIAGONAL CORNER REINFORCING IS NOT REQUIRED WHEN A CONSTRUCTION OR SAWCUT CONTRACTION JOINT ALIGNS WITH THE EDGE OF THE OPENING. REINFORCEMENT SHALL NOT CROSS CONSTRUCTION OR SAWCUT CONTRACTION JOINTS THAT ALLOW FOR MOVEMENT.

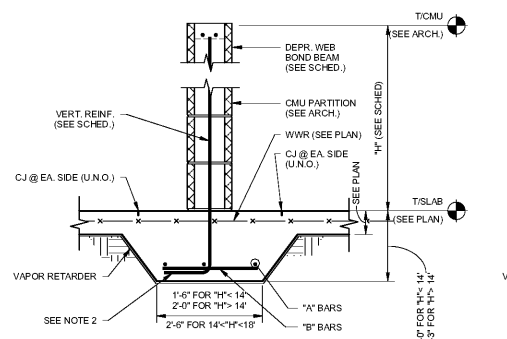
TYPICAL SLAB REINFORCING AT DOORS
SCALE: 3/4" = 1'-0"



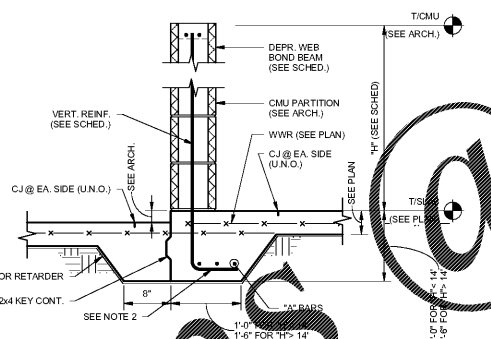
TYP FLAT SLAB TO SLOPED SLAB TRANSITION
SCALE: 1" = 1'-0"



TURNDOWN SLAB EDGE
SCALE: 3/4" = 1'-0"



TYP CMU PART @ SLAB ON GRADE

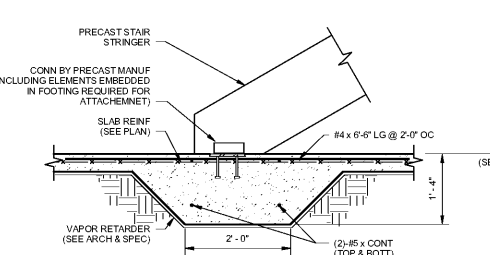


CMU PART W/ DEPR SLAB @ SLAB ON GRADE

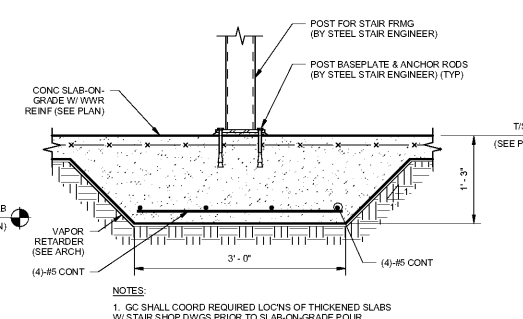
CANTILEVER CMU SCHEDULE (INT. NON-LOAD BEARING) (8/S-3.21)

CMU SIZE	"H"	VERT. REINF.	DEPR. WEB BEAM	"A" BARS	"B" BARS
6"	≤ 10'-0"	#4 @ 40" O.C.	(2) #4	(3) #4	#4 @ 12" O.C.
8"	12'-0"	#4 @ 40" O.C.	(2) #4	(3) #4	#4 @ 12" O.C.
8"	14'-0"	#4 @ 32" O.C.	(1) #4	(3) #4	#4 @ 12" O.C.
8"	16'-0"	#5 @ 32" O.C.	(2) #4	(3) #5	#5 @ 12" O.C.
8"	18'-0"	#5 @ 16" O.C.	(2) #4	(3) #5	#5 @ 12" O.C.
8"	≤ 18'-0"	#4 @ 40" O.C.	(2) #4	(3) #4	#4 @ 12" O.C.
8"	18'-0"	#5 @ 40" O.C.	(2) #4	(3) #4	#4 @ 12" O.C.
8"	18'-0"	#5 @ 32" O.C.	(2) #4	(3) #5	#5 @ 12" O.C.
8"	18'-0"	#5 @ 24" O.C.	(2) #4	(3) #5	#5 @ 12" O.C.

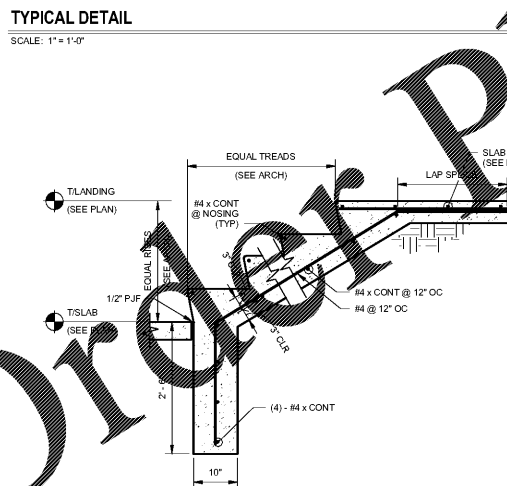
NOTE: SCHEDULE APPLIES @ INT NON-LOAD BEARING CMU PARTITIONS ON SLABS ON GRADE ONLY.



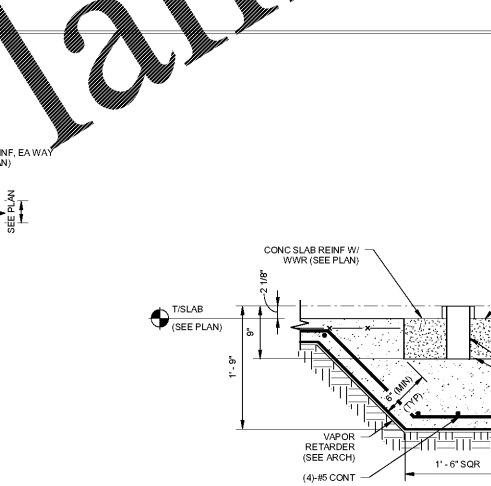
TYPICAL THICKENED SLAB AT STAIR
SCALE: 3/4" = 1'-0"



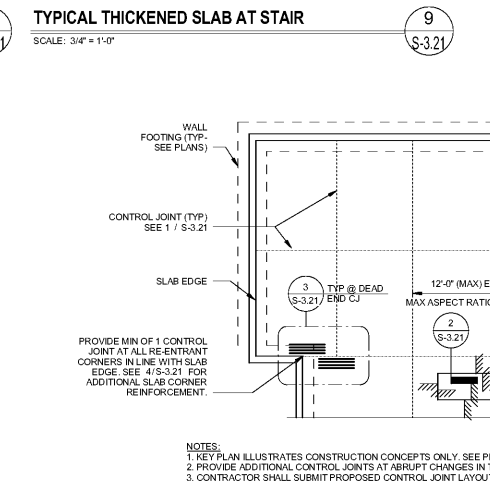
TYPICAL THICKENED SLAB AT STAIR POST
SCALE: 1" = 1'-0"



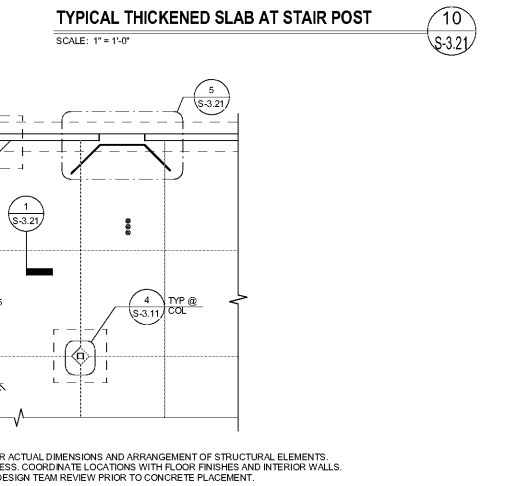
TYPICAL STAIR ON GRADE
SCALE: 3/4" = 1'-0"



SECTION
SCALE: 1" = 1'-0"



SLAB-ON-GRADE CJ KEY PLAN
SCALE: 1/8" = 1'-0"



TYPICAL THICKENED SLAB AT STAIR POST
SCALE: 1" = 1'-0"

Order Plans



CHAPMAN GRIFFIN LANIER SUSENBACH ARCHITECTS

RELEASED FOR CONSTRUCTION

PES STRUCTURAL ENGINEERS

PROFESSIONAL ENGINEER

11/01/2018



DATE	NO.	DESCRIPTION
06/18/18		ISSUE CONSTRUCTION DOCUMENTS
09/17/18		ISSUE CHECK-SET/ PERMITS SET
10/15/18		FINAL ISSUE SUBMITTAL ISSUED FOR PROPOSALS
11/01/18		

CHAPMAN GRIFFIN LANIER SUSENBACH ARCHITECTS
DOE FACILITY CODE: 660-3086
Atlanta, Ga 30339 Phone: 404.733.0493

RIVERWOOD HIGH SCHOOL - PHASE 3 - AUDITORIUM/GYMNASIUM ADDITION
5900 RAIDER DRIVE NW SANDY SPRINGS, GA 30328
FULTON COUNTY SCHOOLS RFP NO. XXX-XX

SLAB-ON-GRADE SECTIONS & DETAILS

PROJECT NO. 0217302.00
DATE: 09/17/18
DRAWN BY: RAS
CHECKED BY: ACB

S-3.21