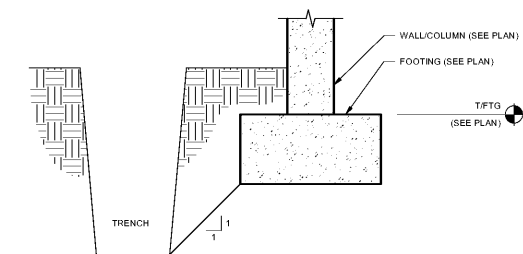
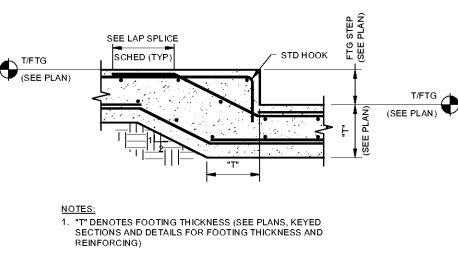


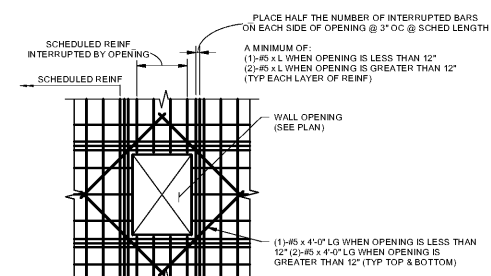
**TYPICAL PIPE UNDER FOOTING**  
SCALE: 3/4" = 1'-0"



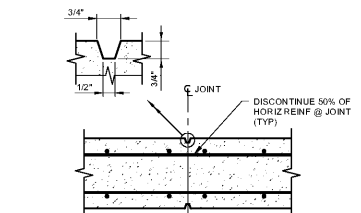
**TYPICAL FOOTING ADJACENT TO TRENCH**  
SCALE: 1" = 1'-0"



**TYPICAL FOOTING STEP**  
SCALE: 3/4" = 1'-0"

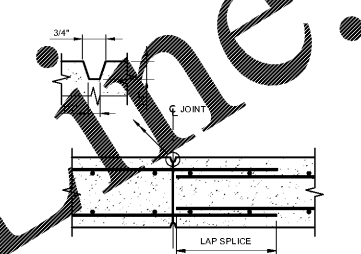


**TYPICAL REINFORCING AT WALL OPENING**  
SCALE: 3/4" = 1'-0"



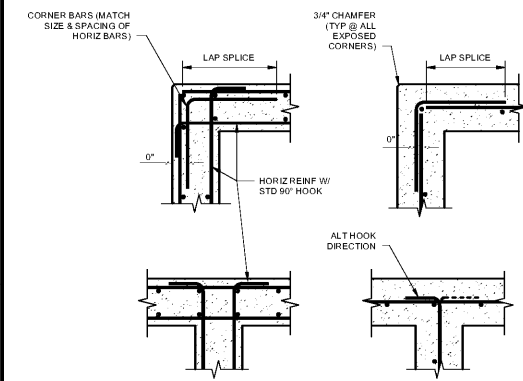
**TYPICAL WALL CONTROL JOINT**

NOTES:  
1. CONTROL JOINT SPACING NOT TO EXCEED 25'-0" MAXIMUM & 5'-0" MINIMUM FROM CORNERS.

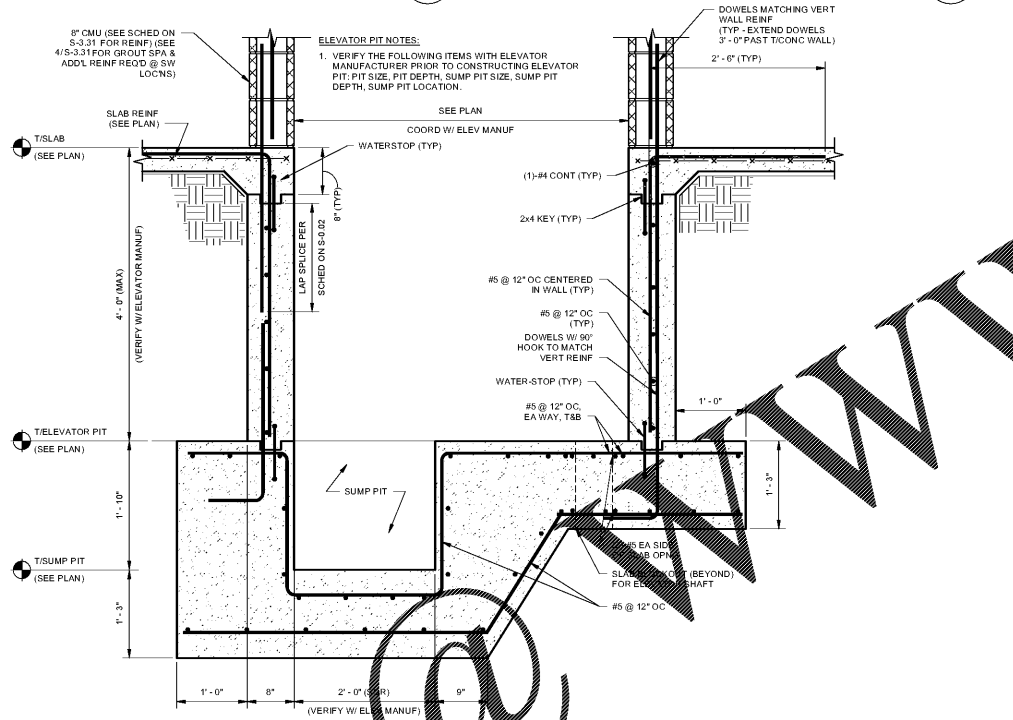


**TYPICAL WALL CONSTRUCTION JOINT**

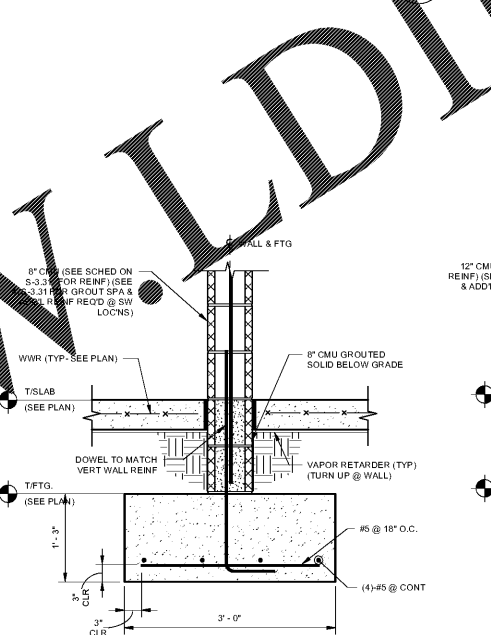
NOTES:  
1. CONTROL JOINT SPACING NOT TO EXCEED 100'-0" MAXIMUM & 5'-0" MINIMUM FROM CORNERS.



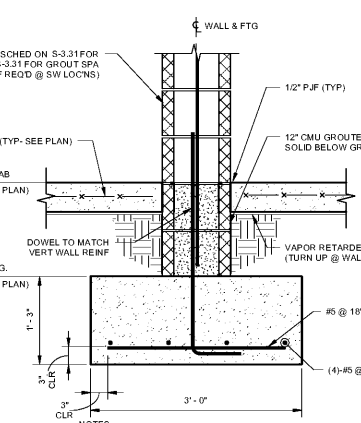
**TYPICAL REINFORCING AT WALL CORNERS & INTERSECTIONS**  
SCALE: 1" = 1'-0"



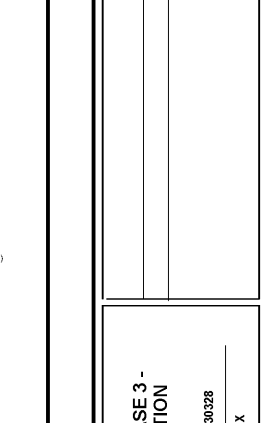
**ELEVATOR PIT**  
SCALE: 1" = 1'-0"



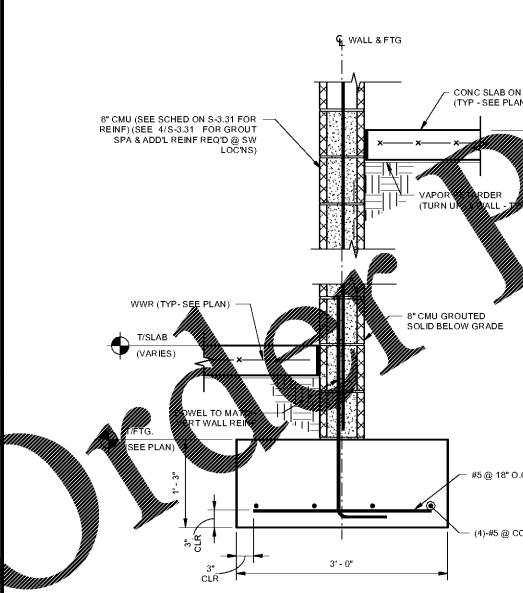
**SECTION 7**  
SCALE: 1" = 1'-0"



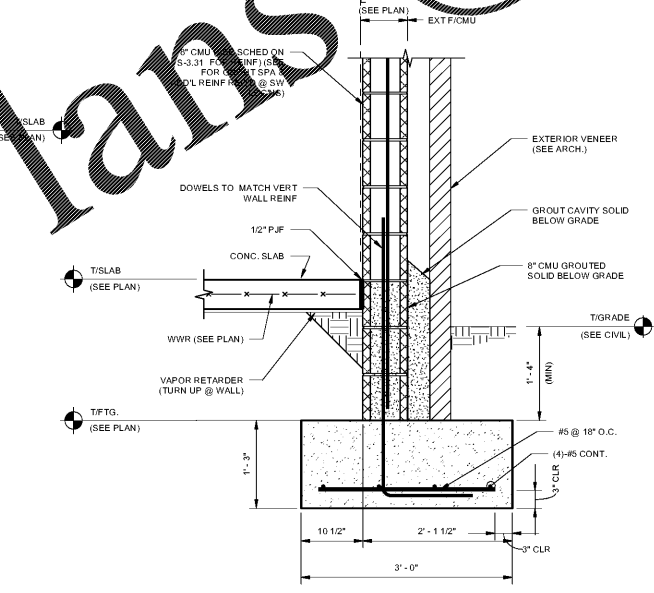
**SECTION 8**  
SCALE: 1" = 1'-0"



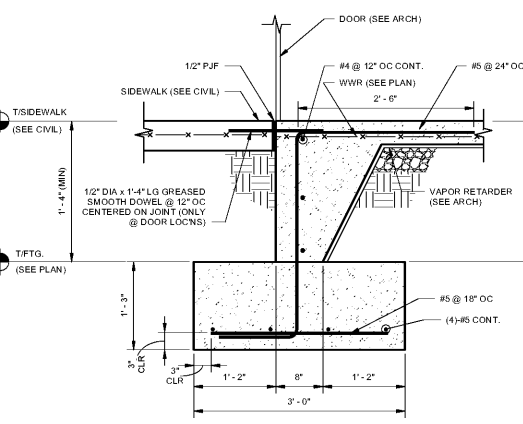
**SECTION 9**  
SCALE: 1" = 1'-0"



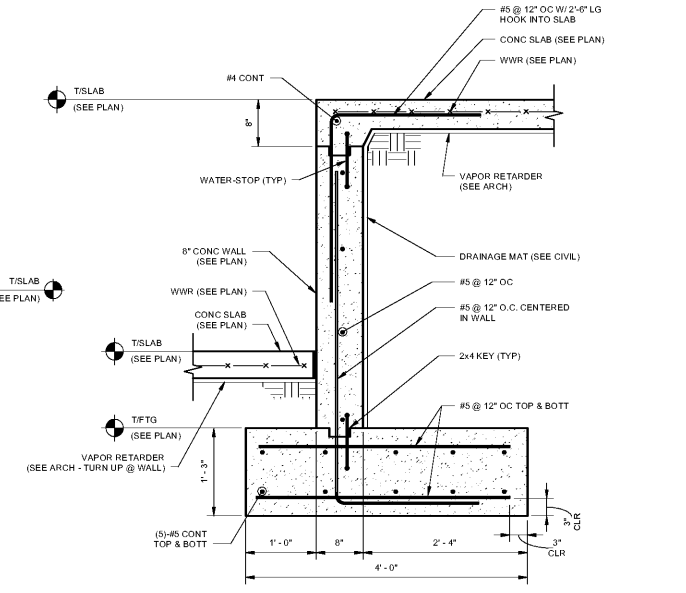
**SECTION 10**  
SCALE: 1" = 1'-0"



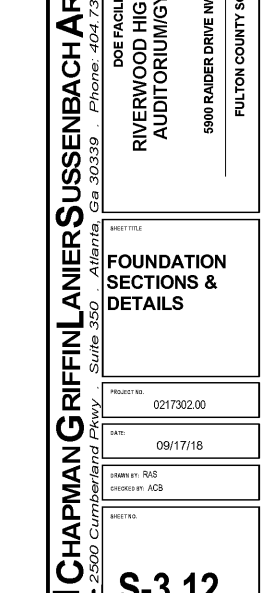
**TYPICAL 8" EXT CMU WALL FOUNDATION**  
SCALE: 1" = 1'-0"



**SECTION 11**  
SCALE: 1" = 1'-0"



**SECTION 12**  
SCALE: 1" = 1'-0"



**SECTION 13**  
SCALE: 1" = 1'-0"

**CHAPMAN GRIFFIN LANIER SUSENBACH ARCHITECTS**  
 2500 Cumberland Pkwy., Suite 350, Atlanta, Ga 30339, Phone: 404.733.5493  
 DOE FACILITY CODE: 680-3086  
**RIVERWOOD HIGH SCHOOL - PHASE 3 - AUDITORIUM/GYMNASIUM ADDITION**  
 5900 RAIDER DRIVE NW SANDY SPRINGS, GA 30328  
 FULTON COUNTY SCHOOLS RFP NO. XXX-XX

Architecture  
Planning  
Facilitation Design

**CGLS ARCHITECTS**  
CHAPMAN GRIFFIN LANIER SUSENBACH ARCHITECTS, INC.  
2017

RELEASED FOR CONSTRUCTION

**PES STRUCTURAL ENGINEERS**  
REGISTERED PROFESSIONAL ENGINEER  
NO. 30862  
11/01/2018

DATE	NO.	DESCRIPTION
06/19/18		SIZE CONSTRUCTION DOCUMENTS
09/17/18		DOE CHECK-SEAL PERMIT SET
10/19/18		FINAL CONSTRUCTION PERMITS ISSUED FOR PROPOSALS
11/01/18		

FOUNDATION SECTIONS & DETAILS

PROJECT NO. 0217302.00

DATE: 09/17/18

DRAWN BY: RAS  
CHECKED BY: ACS

SCALE: **S-3.12**