

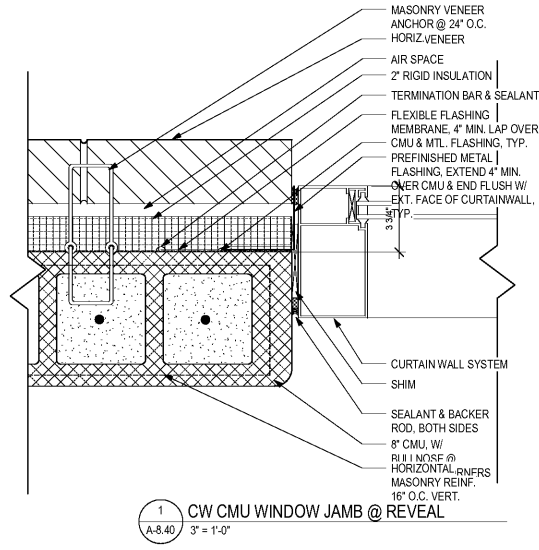
DATE	NO.	DESCRIPTION
01/27/18		SCHEMATIC DESIGN SUBMITTAL
02/19/18		SCHEMATIC DESIGN DEVELOPMENT
06/17/18		SCHEMATIC DESIGN CONSTRUCTION DOCUMENTS
07/17/18		SCHEMATIC DESIGN CHECK - SET / PERMIT SET
10/18/18		FINAL SCHEMATIC SUBMITTAL ISSUED FOR PROPOSAL

DOE FACILITY CODE: 660-3086  
**RIVERWOOD HIGH SCHOOL PHASE 3-8**  
**AUDITORIUM/GYMNASIUM ADDITION**  
 5900 RAIDER DRIVE NW SANDY SPRINGS, GA 30328  
 FULTON COUNTY SCHOOLS RFP NO. 411-19

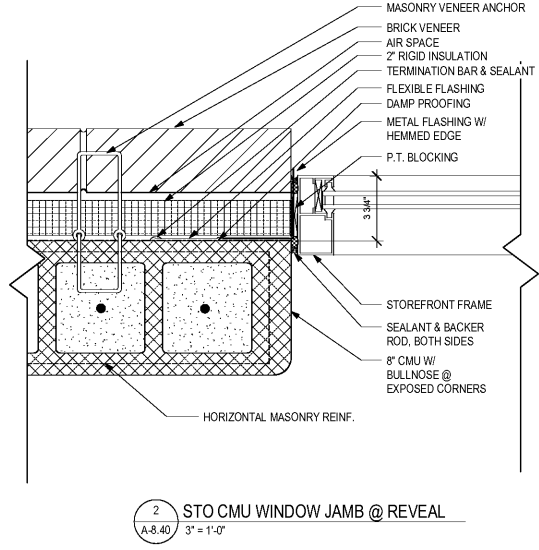
**CHAPMAN GRIFFIN LANIER SUSENBACH ARCHITECTS**  
 400 Galleria Place, Suite 100 Atlanta, Ga 30339 Phone: 404.733.5493

**WINDOW DETAILS**

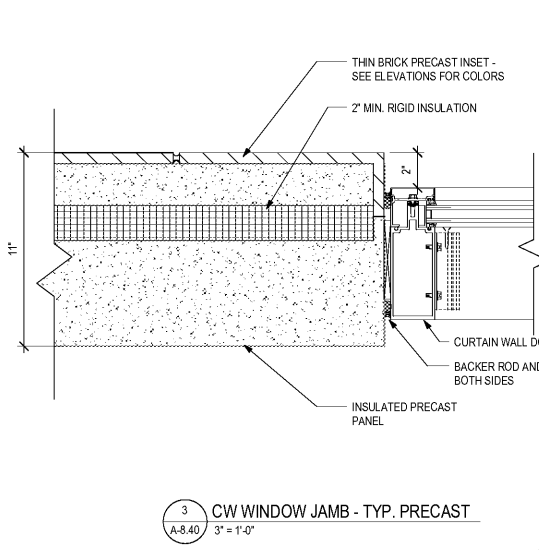
PROJECT NO. 16015.02  
 DATE: 09/17/18  
 DRAWN BY: Author  
 CHECKED BY: Cracker  
 SHEET NO. **A-8.40**



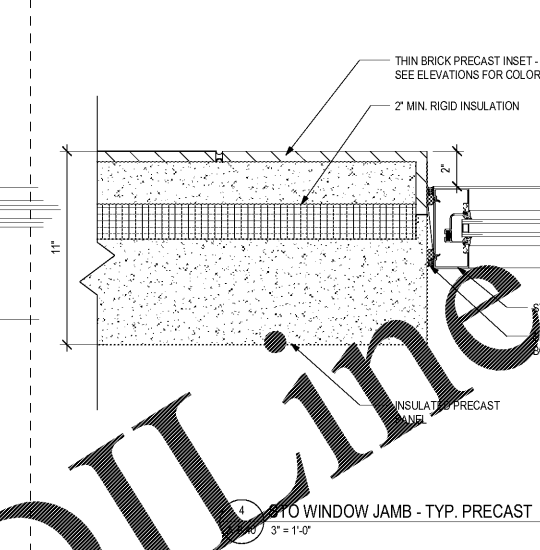
**1 CW CMU WINDOW JAMB @ REVEAL**  
 A-8.40 3\"/>



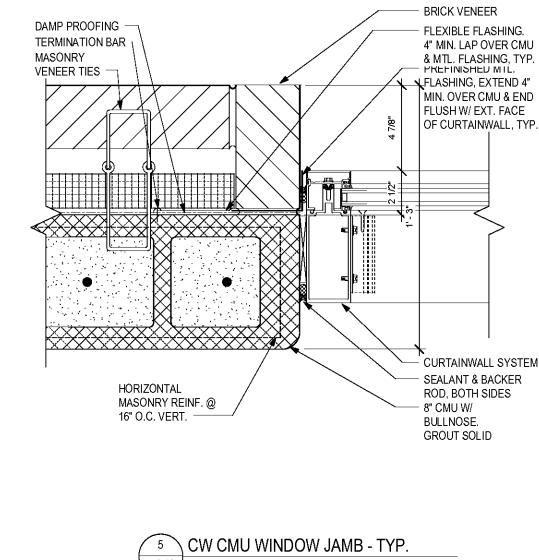
**2 STO CMU WINDOW JAMB @ REVEAL**  
 A-8.40 3\"/>



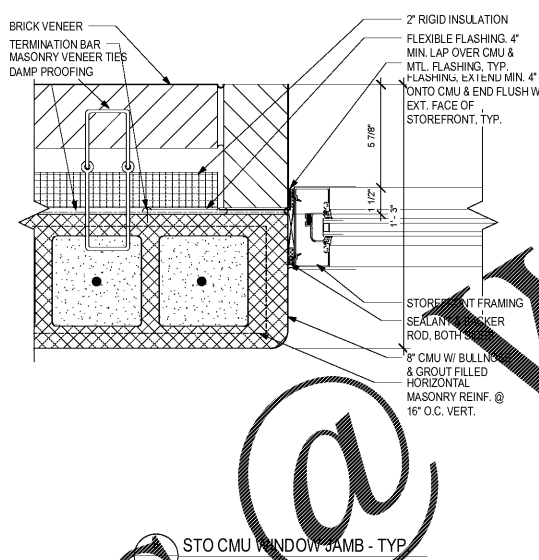
**3 CW WINDOW JAMB - TYP. PRECAST**  
 A-8.40 3\"/>



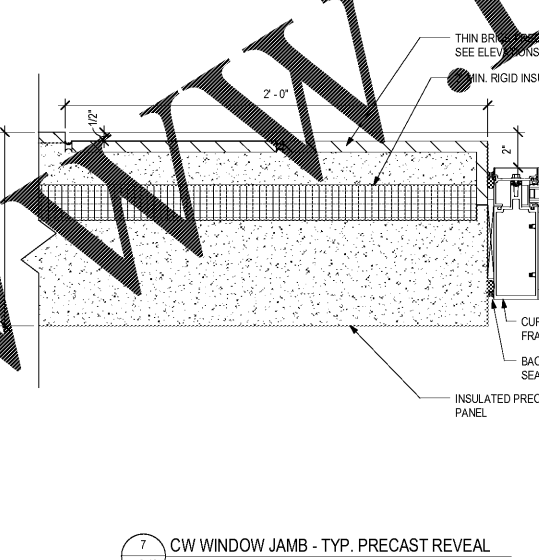
**4 STO WINDOW JAMB - TYP. PRECAST**  
 A-8.40 3\"/>



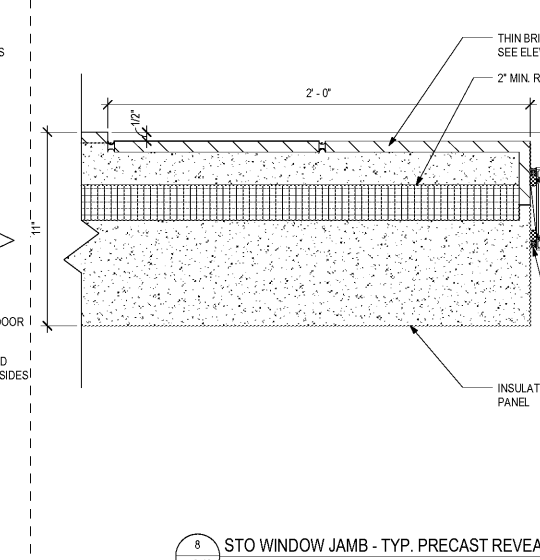
**5 CW CMU WINDOW JAMB - TYP.**  
 A-8.40 3\"/>



**6 STO CMU WINDOW JAMB - TYP.**  
 A-8.40 3\"/>



**7 CW WINDOW JAMB - TYP. PRECAST REVEAL**  
 A-8.40 3\"/>



**8 STO WINDOW JAMB - TYP. PRECAST REVEAL**  
 A-8.40 3\"/>

**Order Plans @ WWW.LDILine.com**