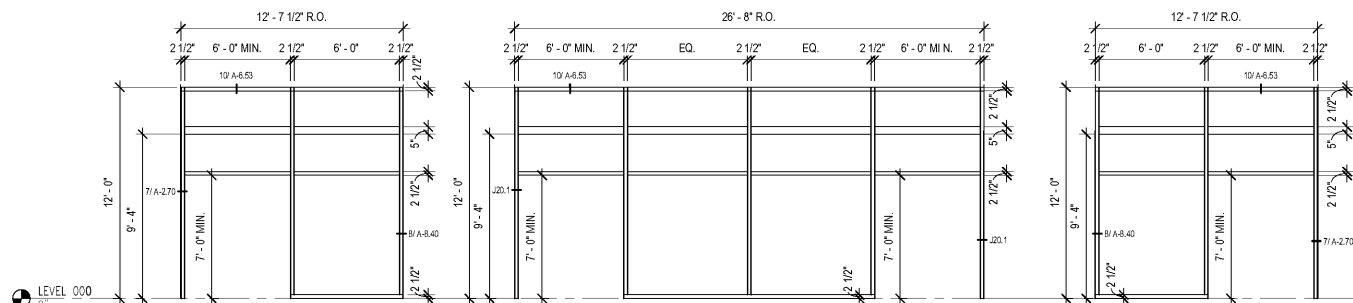
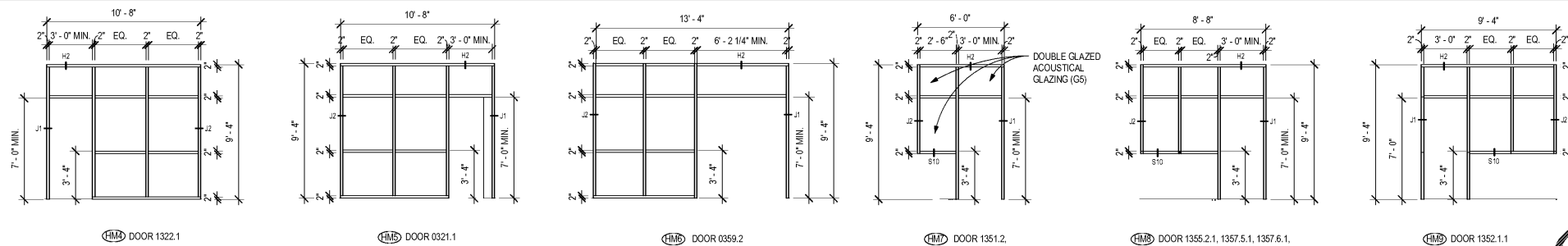


HM FRAME ELEVATIONS

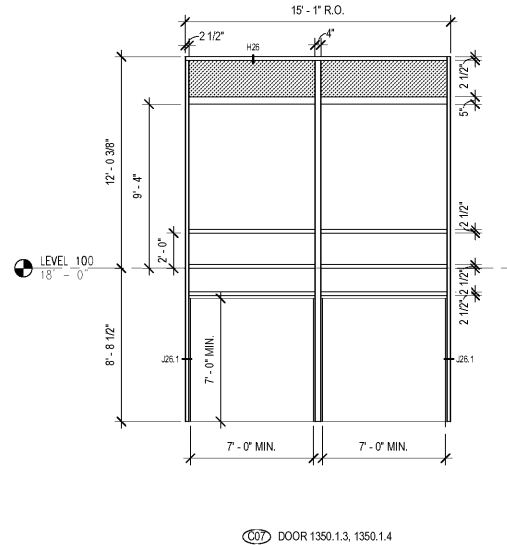
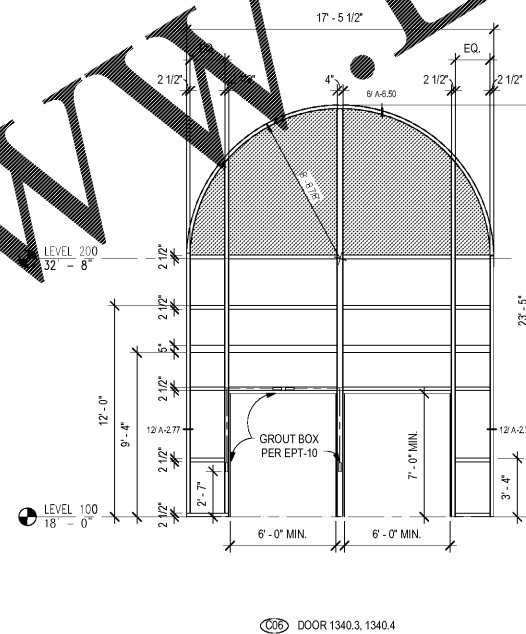
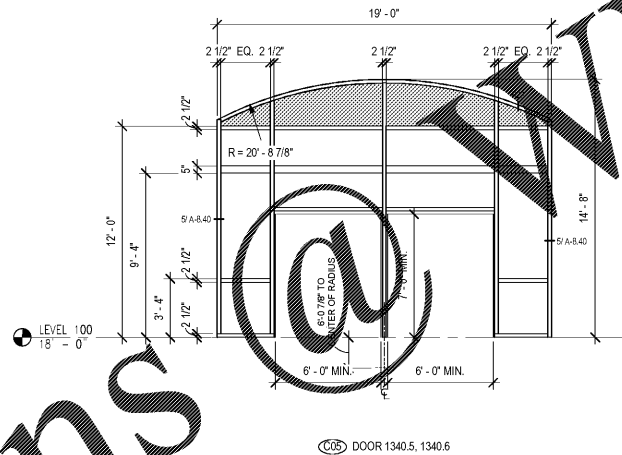
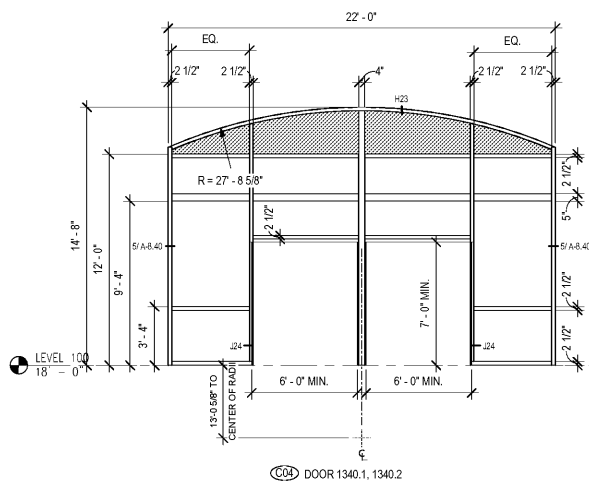


NOTE: ALL GLAZING IN THIS FRAME, EXCEPT GLAZING WITHIN DOORS, TO BE TYPE G6

NOTE: ALL GLAZING IN THIS FRAME, EXCEPT GLAZING WITHIN DOORS, TO BE TYPE G6

NOTE: ALL GLAZING IN THIS FRAME, EXCEPT GLAZING WITHIN DOORS, TO BE TYPE G6

STOREFRONT WINDOW FRAMES



CURTAINWALL FRAMES

- CURTAINWALL FRAME NOTES:
1. ALL CURTAINWALL FRAMES IN EXTERIOR WALL CONDITIONS SHALL RECEIVE TINTED INSULATING GLAZING UNITS...
2. SEE BUILDING ELEVATIONS FOR WINDOW TYPE LOCATION...
3. ALL GLAZING UNITS ARE TO BE TEMPERED...
4. ALL OVERALL DIMENSIONS ARE TO ROUGH OPENING...

HOLLOW METAL FRAME GENERAL NOTES:
1. GLAZING FOR ALL INTERIOR FRAMES & DOORS SHALL BE CLEAR GLASS...
2. ALL FRAMES IN EXTERIOR WALL CONDITIONS SHALL RECEIVE 1" INSULATING CLEAR GLASS UNITS...
3. ALL GLASS UNITS ARE TO BE TEMPERED...
4. ALL FRAMES IN FIRE-RATED PARTITIONS SHALL RECEIVE FIRE RATED GLASS...
5. FASTEN ALL METAL THRESHOLDS & METAL EDGE STRIPS...
6. PROVIDE CONDUIT AND GROUT BOXES WHERE ACCESS CONTROL DEVICES ARE SCHEDULED...
7. REMOVABLE STOPS ARE TO BE ON EXTERIOR SIDE...
8. REMOVABLE STOPS ARE TO BE ON CORRIDOR SIDE...

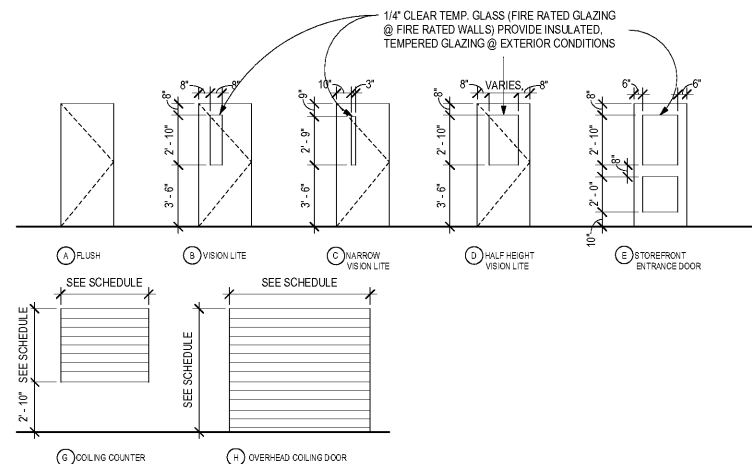
- GLAZING TYPES:
G1 1" LOW E TINTED INSULATED GLAZING, TEMPERED
G2 1" LOW E CLEAR INSULATED GLAZING, TEMPERED
G3 1" INSULATED SPANDREL GLAZING
G4 1/4" CLEAR TEMPERED GLAZING
G5 ACOUSTICAL, DOUBLE GLAZED INSULATING UNITS
G6 1 1/8" SOLAR CONTROL LOW E TINTED, OBSCURED (FROSTED) INSULATED GLAZING UNITS.

THERMAL TRANSMITTANCE REQUIREMENTS:
1. EACH EXTERIOR DOOR SHALL HAVE A MIN. U-FACTOR OF 0.07 PER SPEC. 08110.1.3.A.3...

STOREFRONT WINDOW FRAME NOTES:
1. ALL FRAMES IN EXTERIOR WALL CONDITIONS SHALL RECEIVE TINTED INSULATING GLAZING UNITS...
2. SEE BUILDING ELEVATIONS FOR WINDOW TYPE LOCATIONS...
3. ALL GLAZING UNITS ARE TO BE TEMPERED...
4. ALL OVERALL DIMENSIONS ARE TO ROUGH OPENING...

GENERAL NOTES:
1. EACH EXTERIOR WINDOW & DOOR SHALL BE LABELED BY THE MANUFACTURER TO CERTIFY COMPLIANCE...

NOTE: SPANDREL GLASS



TYPICAL DOOR TYPES

Professional seal and title block for Chapman Griffin Lanier Susenbach Architects, including project information for RIVERWOOD HIGH SCHOOL PHASE 3-B AUDITORIUM/GYMNASIUM ADDITION, license number A-8.10, and contact details for Atlanta, GA.