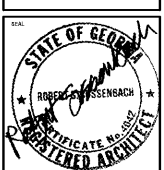




CHAPMAN GRIFFIN LANIER SUSENBACH ARCHITECTS
REGISTERED ARCHITECTS IN THE STATE OF GEORGIA
2018

RELEASED FOR CONSTRUCTION



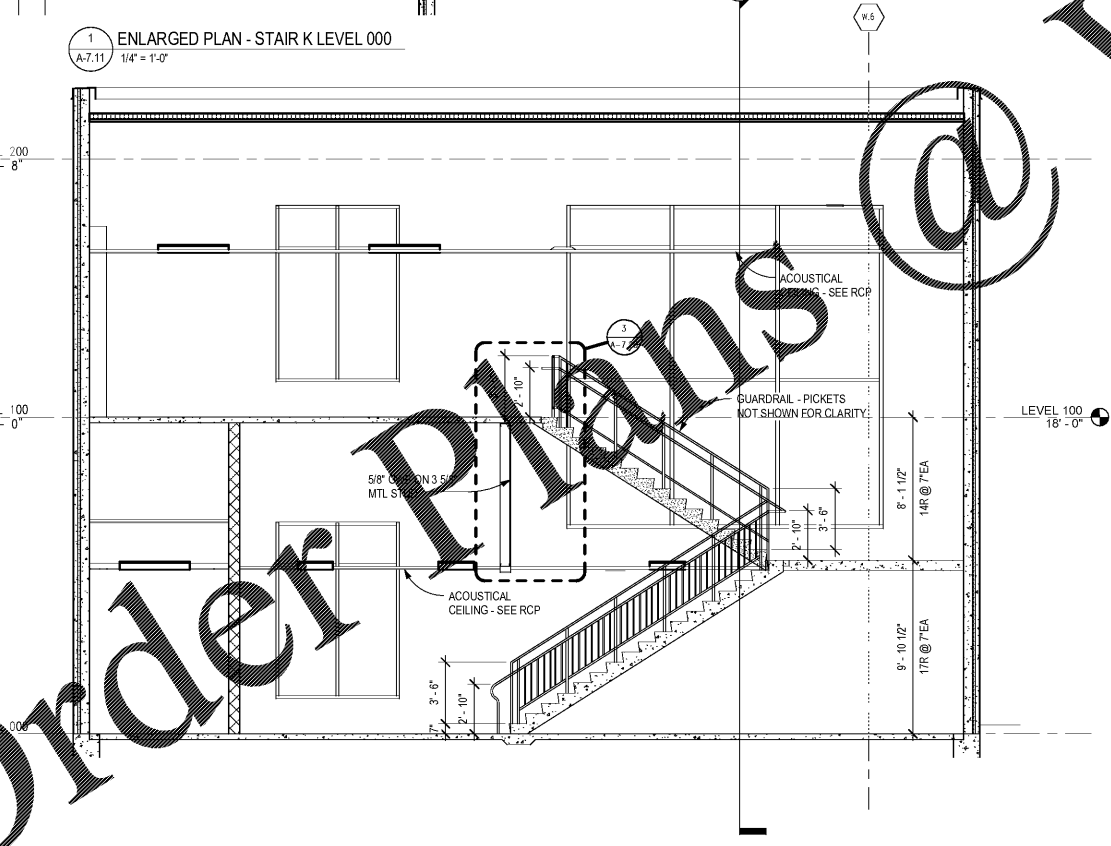
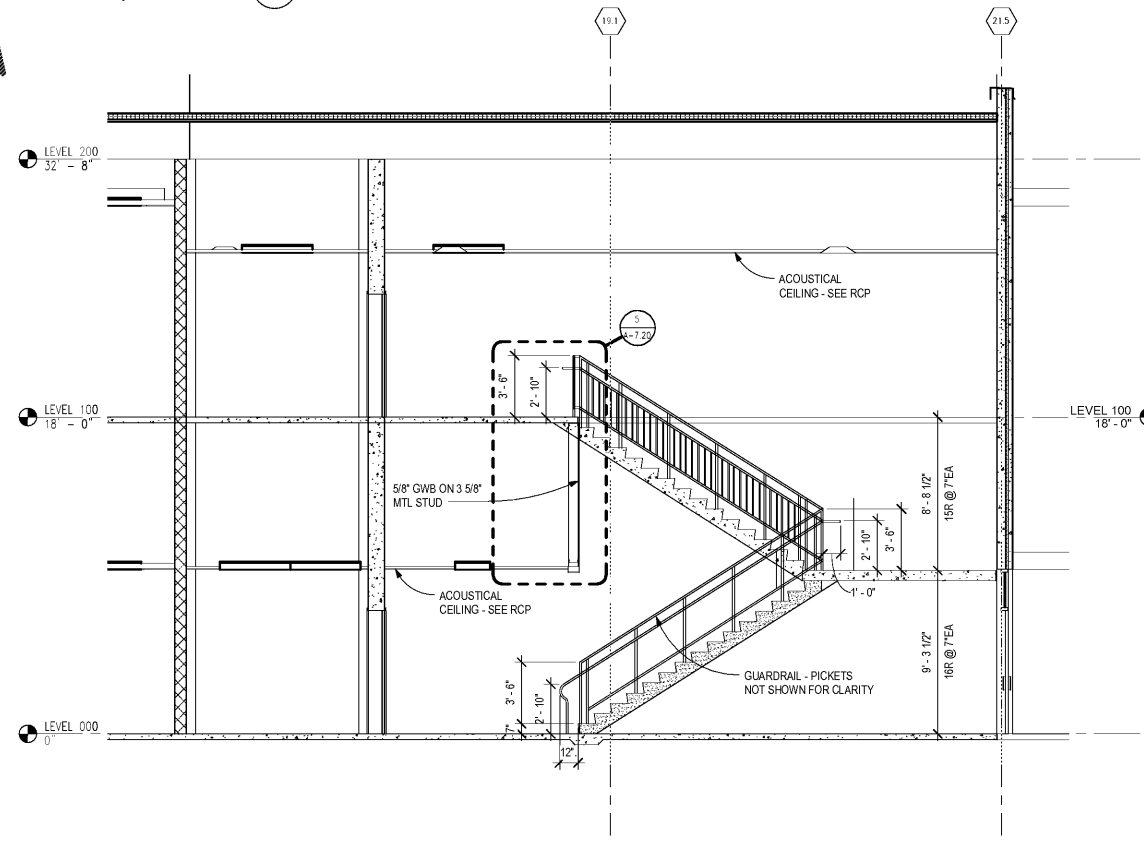
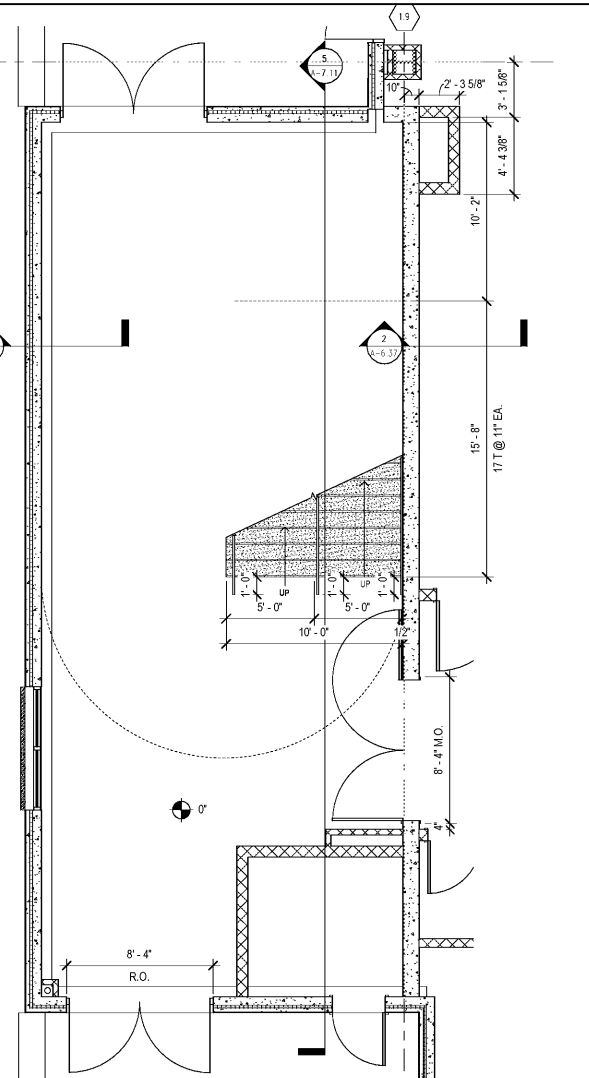
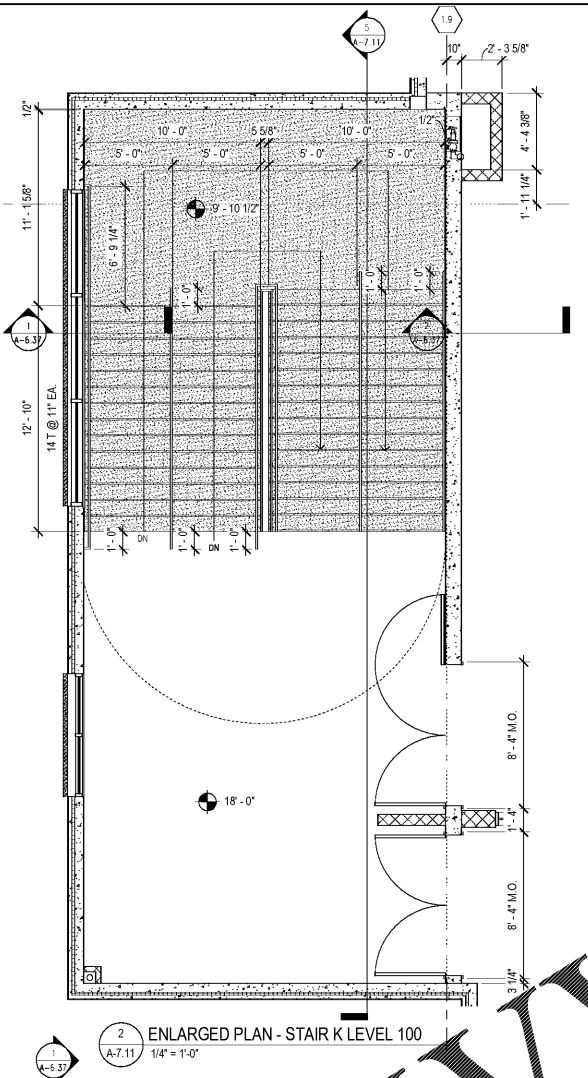
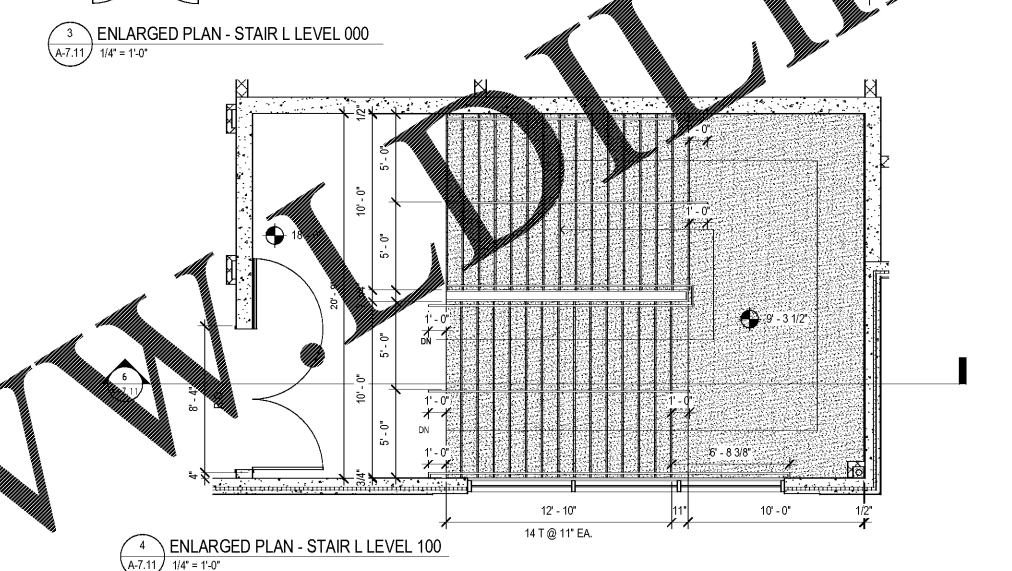
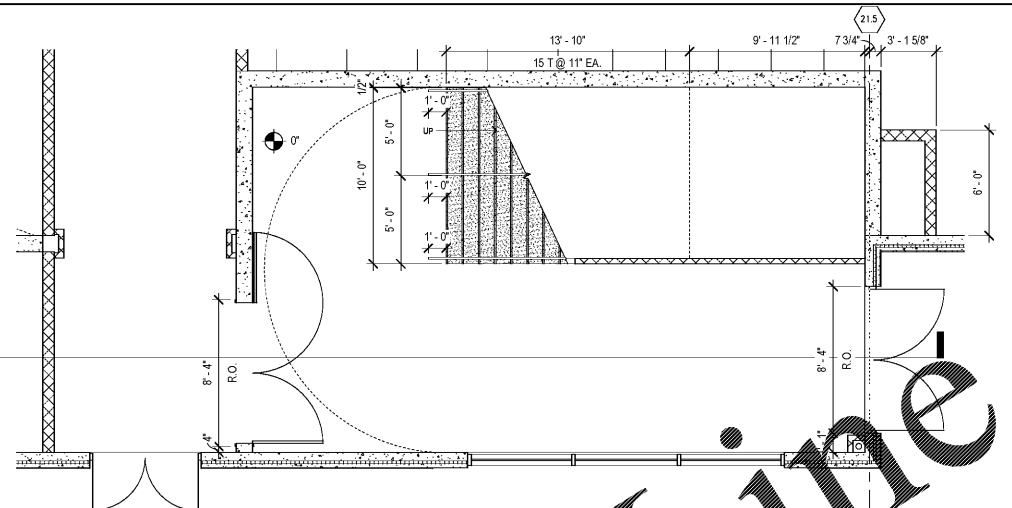
DATE	NO.	DESCRIPTION
01/27/18		CODE PRELIMINARY SUBMITTAL DESIGN DEVELOPMENT
01/19/18		CODE PRELIMINARY SUBMITTAL DESIGN DEVELOPMENT
01/17/18		CODE CHECK - SET/ PERMIT SET
01/10/18		FINAL CODE SUBMITTAL ISSUED FOR PROPOSALS

DOE FACILITY CODE: 660-3086
 RIVERWOOD HIGH SCHOOL PHASE 3-8
 AUDITORIUM/GYMNASIUM ADDITION
 5900 RAIDER DRIVE NW SANDY SPRINGS, GA 30328
 FULTON COUNTY SCHOOLS RFP NO. 411-19

PROJECT NO. 16015.02
 DATE: 09/17/18
 DRAWN BY: Author
 CHECKED BY: Checker

A-7.11

CHAPMAN GRIFFIN LANIER SUSENBACH ARCHITECTS
 400 Galleria Place, Suite 100 Atlanta, Ga 30339 Phone: 404.733.5493



Order Plans @

WWW.DILine.com