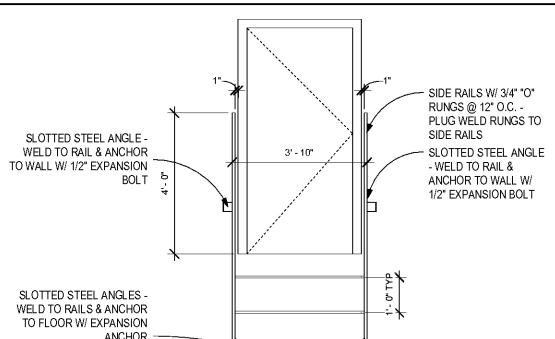
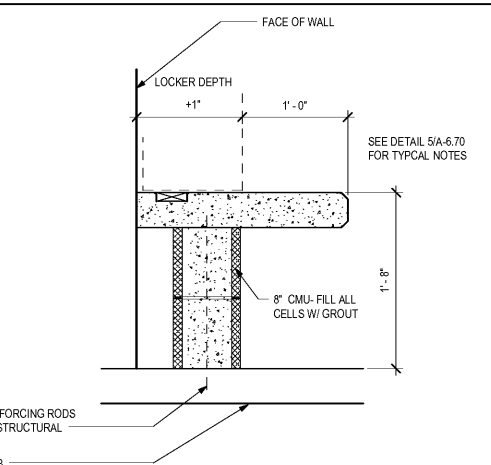


1 SECTION - TYP STAFF LOCKER BASE
A-6.70 1 1/2" = 1'-0"

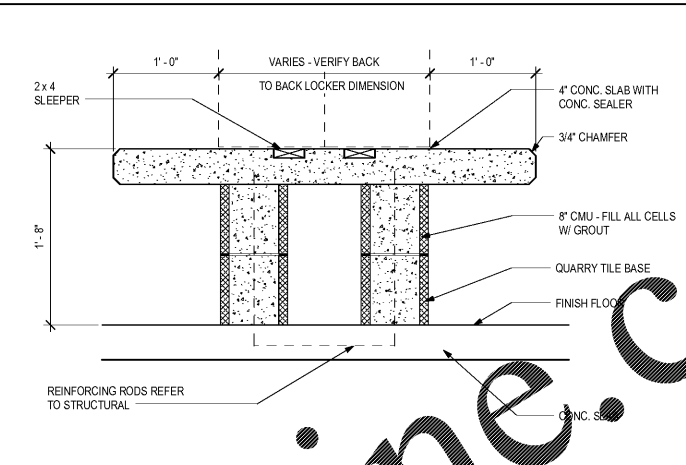
2 SECTION - TYP. STUDENT LOCKER BASE
A-6.70 1 1/2" = 1'-0"



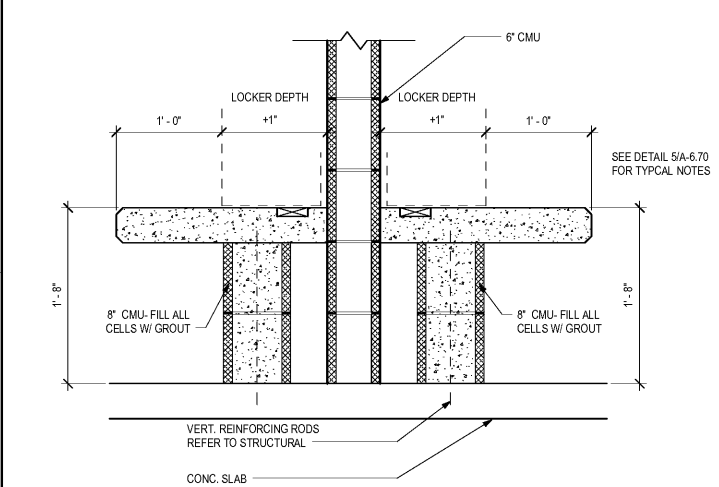
3 ROOF LADDER ELEVATION
A-6.70 1/2" = 1'-0"



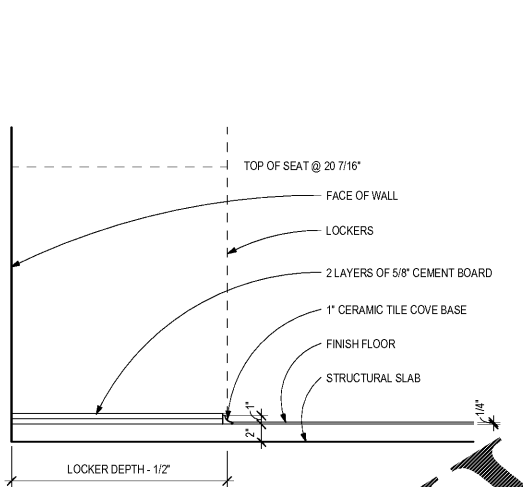
4 SECTION OF BASE AT GYM LOCKERS - A
A-6.70 1 1/2" = 1'-0"



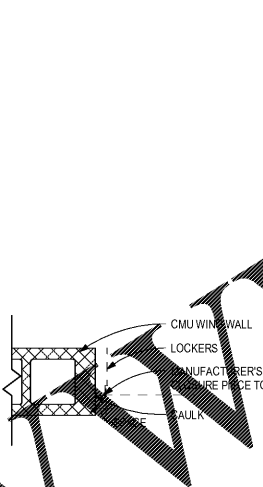
5 SECTION OF BASE AT GYM LOCKERS - B
A-6.70 1 1/2" = 1'-0"



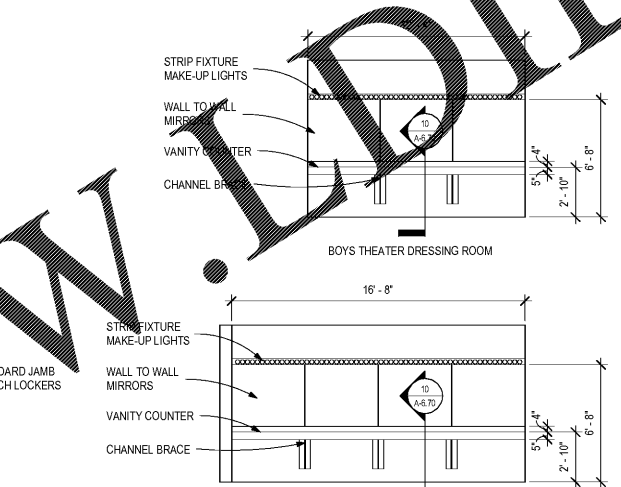
6 SECTION OF BASE AT GYM LOCKERS - C
A-6.70 1 1/2" = 1'-0"



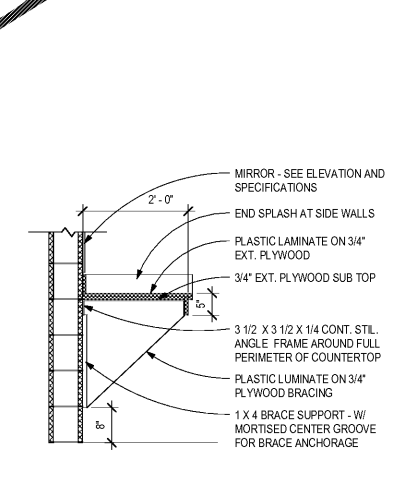
7 SECTION OF BASE AT ATHLETIC LOCKERS
A-6.70 1 1/2" = 1'-0"



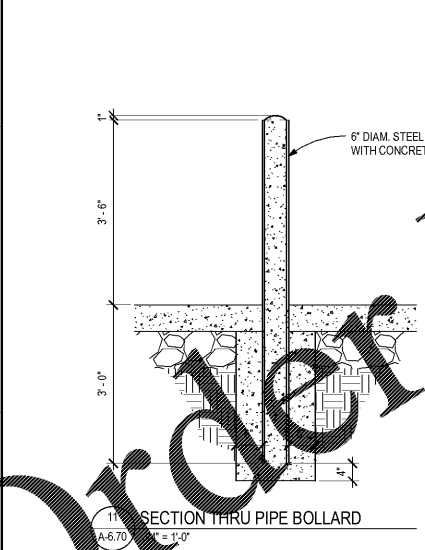
8 PLAN DETAIL AT LOCKERS & WALL
A-6.70 1 1/2" = 1'-0"



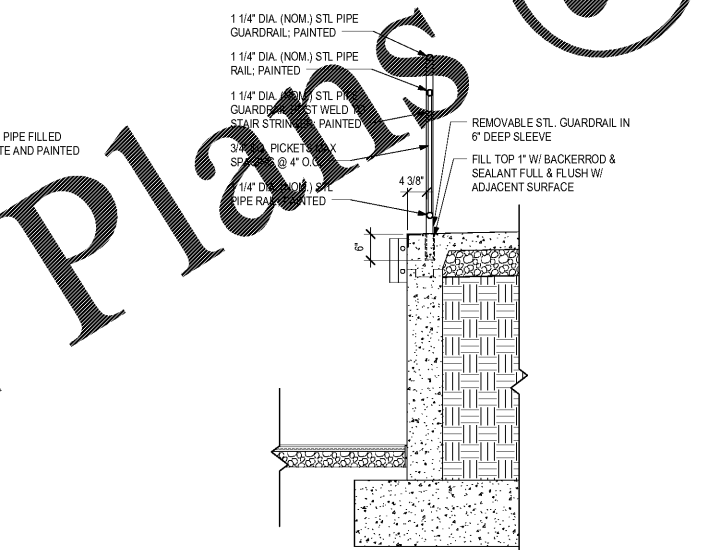
9 TOILET AND DRESSING ROOM ELEVATION
A-6.70 1/4" = 1'-0"



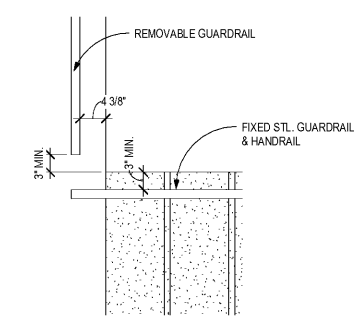
10 VANITY SECTION
A-6.70 3/4" = 1'-0"



11 SECTION THRU PIPE BOLLARD
A-6.70 1" = 1'-0"



12 SECTION - REMOVABLE GUARDRAIL
A-6.70 3/4" = 1'-0"



13 PLAN DETAIL - LOADING DECK
A-6.70 1" = 1'-0"

CGLS ARCHITECTS
CHAPMAN GRIFFIN LANIER SUSSENBACH ARCHITECTS INC.
400 Galleria Pkwy., Suite 100 Atlanta, Ga 30339 Phone: 404.733.5493

STATE OF GEORGIA
BOBBY SUSSENBACH
REGISTERED ARCHITECT

DATE	NO.	DESCRIPTION
01/27/18		SCHE PRELIMINARY SUBMITTAL DESIGN DEVELOPMENT
01/19/18		SCHE CONSTRUCTION DOCUMENTS
09/17/18		SCHE CHECK - SET/ PERMIT SET
10/18/18		FINAL SCHE SUBMITTAL ISSUED FOR PROPOSAL

DOE FACILITY CODE: 660-3086
RIVERWOOD HIGH SCHOOL PHASE 3-B
AUDITORIUM/GYMNASIUM ADDITION
5900 RAIDER DRIVE NW SANDY SPRINGS, GA 30328
FULTON COUNTY SCHOOLS RFP NO. 411-19

MISCELLANEOUS DETAILS

PROJECT NO. 16015.02
DATE: 09/17/18
DRAWN BY: Author
CHECKED BY: Checker
SHEET NO.

A-6.70

Order Plans @ WWW.LDOnline.com