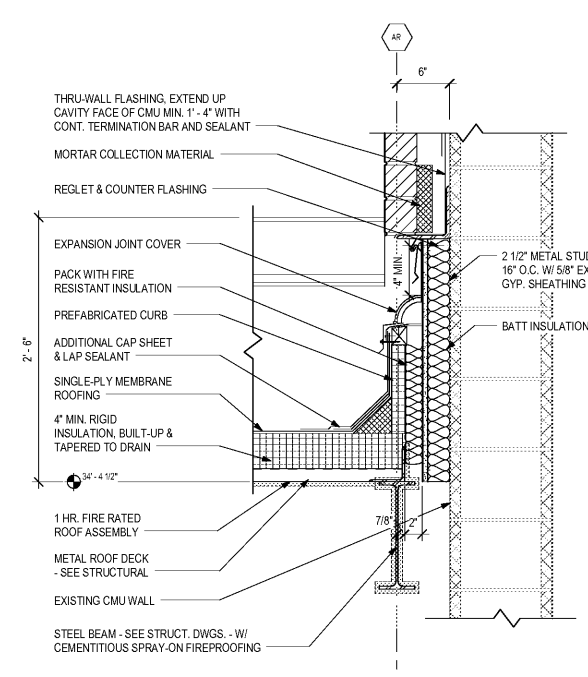
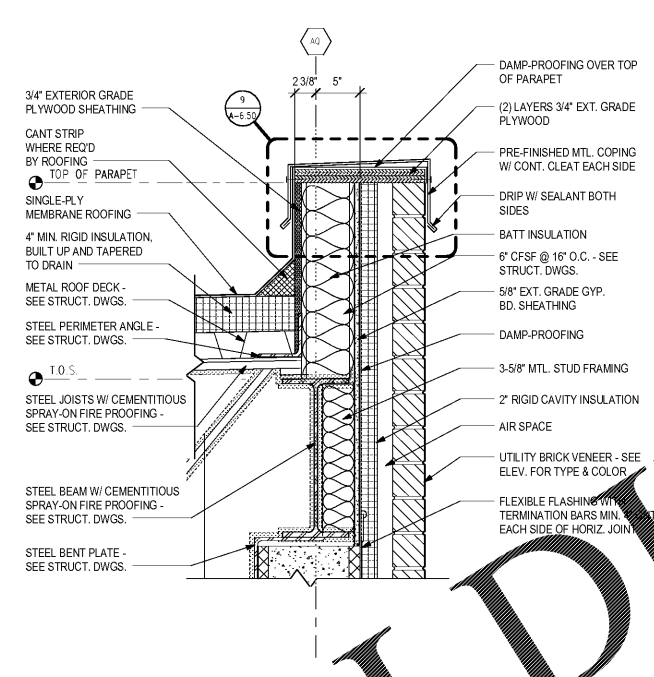


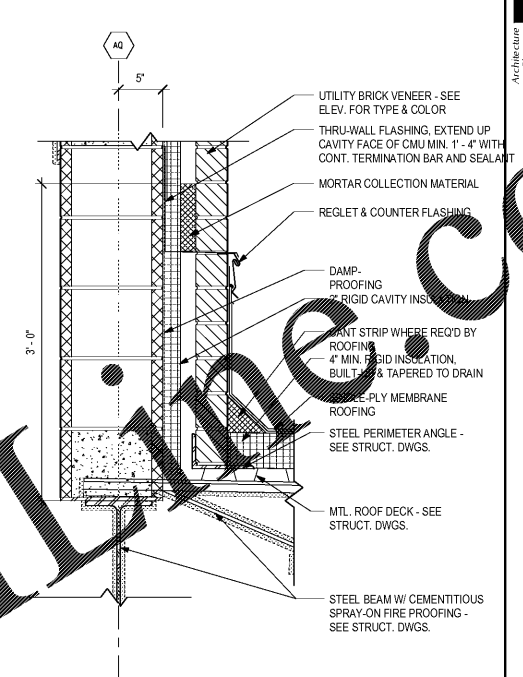
1 SECTION DETAIL
A-6.50 1 1/2" = 1'-0"



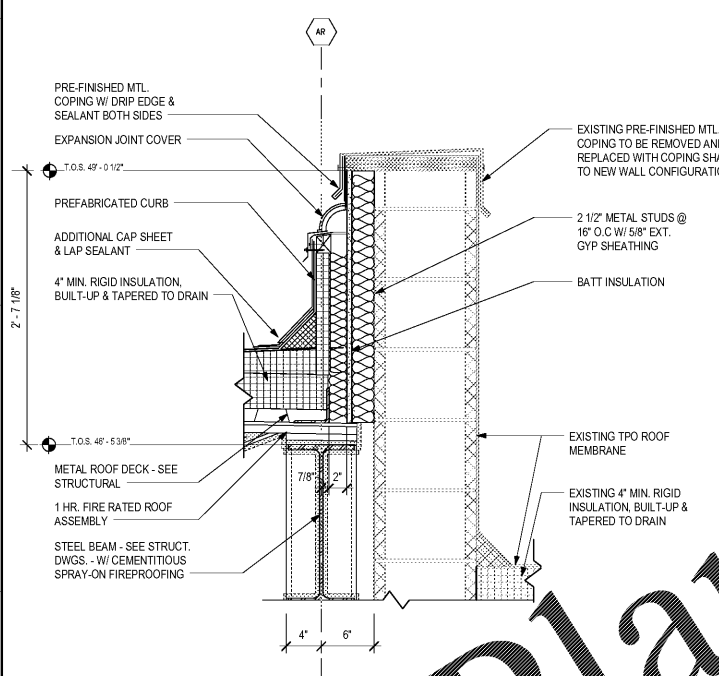
2 SECTION DETAIL
A-6.50 1 1/2" = 1'-0"



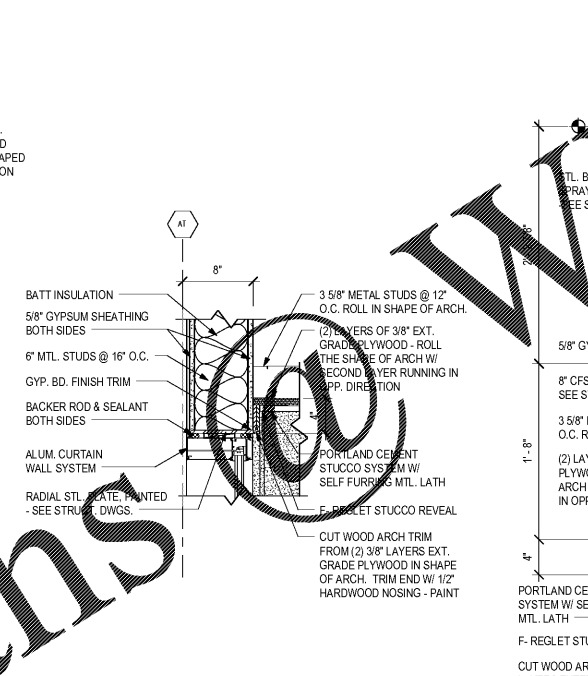
3 SECTION DETAIL
A-6.50 1 1/2" = 1'-0"



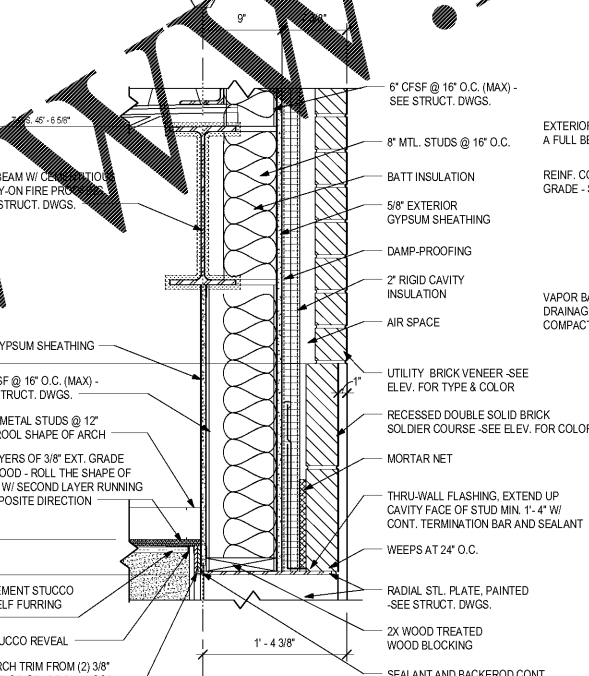
4 SECTION DETAIL
A-6.50 1 1/2" = 1'-0"



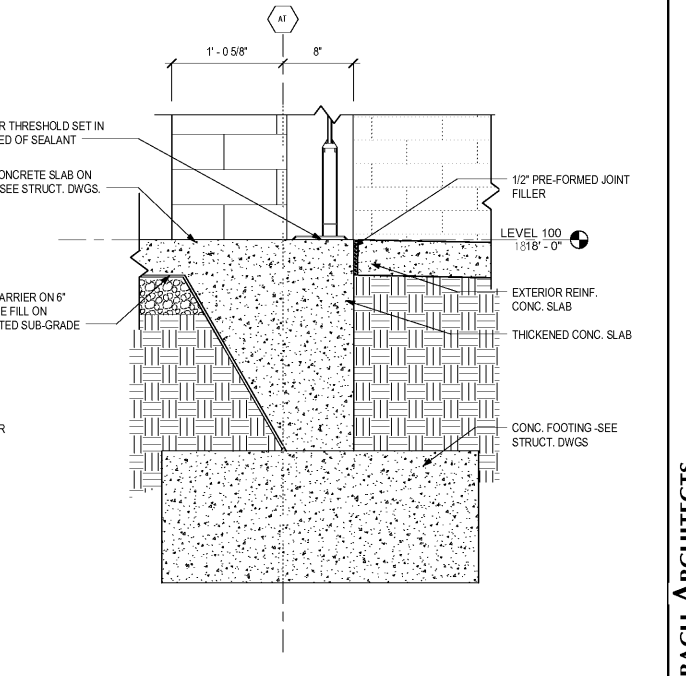
5 SECTION DETAIL
A-6.50 1 1/2" = 1'-0"



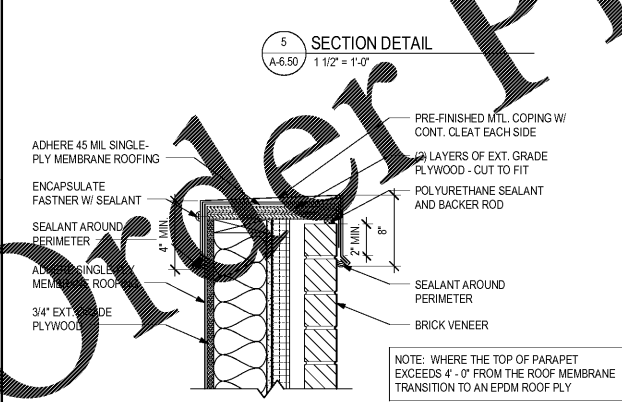
6 SECTION DETAIL
A-6.50 1 1/2" = 1'-0"



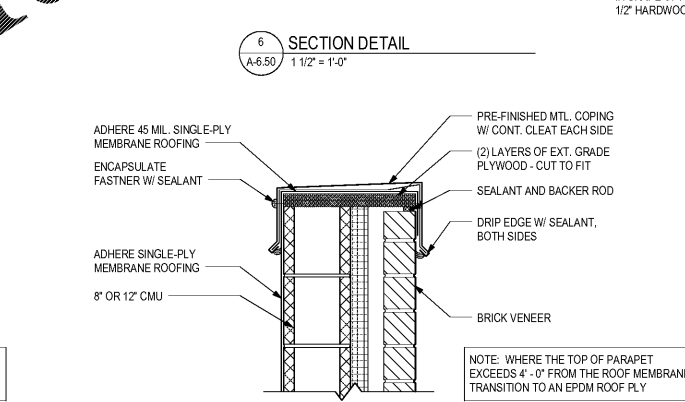
7 SECTION DETAIL
A-6.50 1 1/2" = 1'-0"



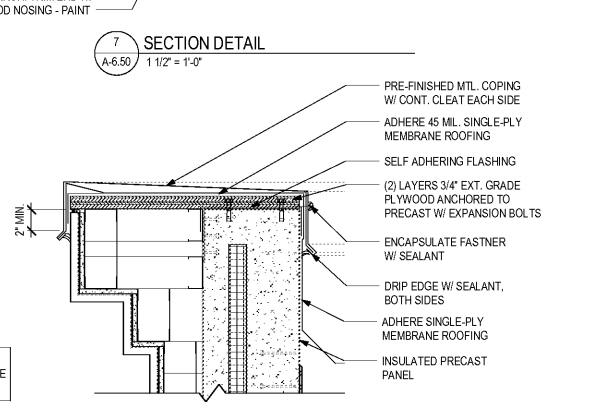
8 SECTION DETAIL
A-6.50 1 1/2" = 1'-0"



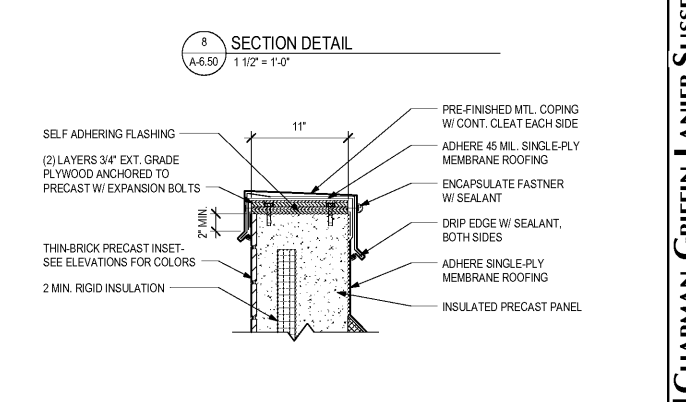
9 TYP. COPING DETAIL - STUD
A-6.50 1 1/2" = 1'-0"



10 TYP. COPING DETAIL - CMU
A-6.50 1 1/2" = 1'-0"



11 SECTION DETAIL
A-6.50 1 1/2" = 1'-0"



12 SECTION DETAIL
A-6.50 1 1/2" = 1'-0"

CGLS ARCHITECTS
CHAPMAN GRIFFIN LANIER SUSENBACH ARCHITECTS INC.
MEMBER AIA

STATE OF GEORGIA
REGISTERED ARCHITECT

DATE	NO.	DESCRIPTION
01/27/18	001	SCHEMATIC DESIGN DEVELOPMENT
01/19/18	002	SCHEMATIC DESIGN DEVELOPMENT
01/17/18	003	SCHEMATIC DESIGN DEVELOPMENT
01/10/18	004	SCHEMATIC DESIGN DEVELOPMENT
01/01/18	005	SCHEMATIC DESIGN DEVELOPMENT

SECTION DETAILS

PROJECT NO. 16015.02
DATE: 09/17/18
DRAWN BY: Author
CHECKED BY: Checker

A-6.50

CHAPMAN GRIFFIN LANIER SUSENBACH ARCHITECTS
400 Galleria Parkway, Suite 100, Atlanta, GA 30339 Phone: 404.733.5493

DOE FACILITY CODE: 680-3086
RIVERWOOD HIGH SCHOOL PHASE 3-B
AUDITORIUM/GYMNASIUM ADDITION
5900 RAIDER DRIVE NW SANDY SPRINGS, GA 30328
FULTON COUNTY SCHOOLS RFP NO. 411-19