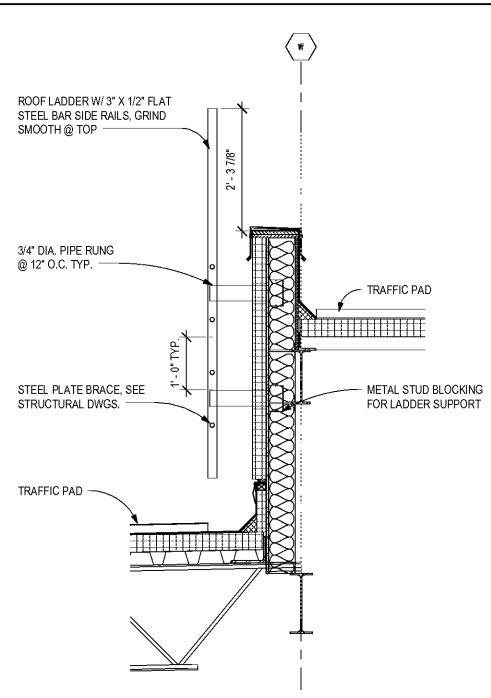
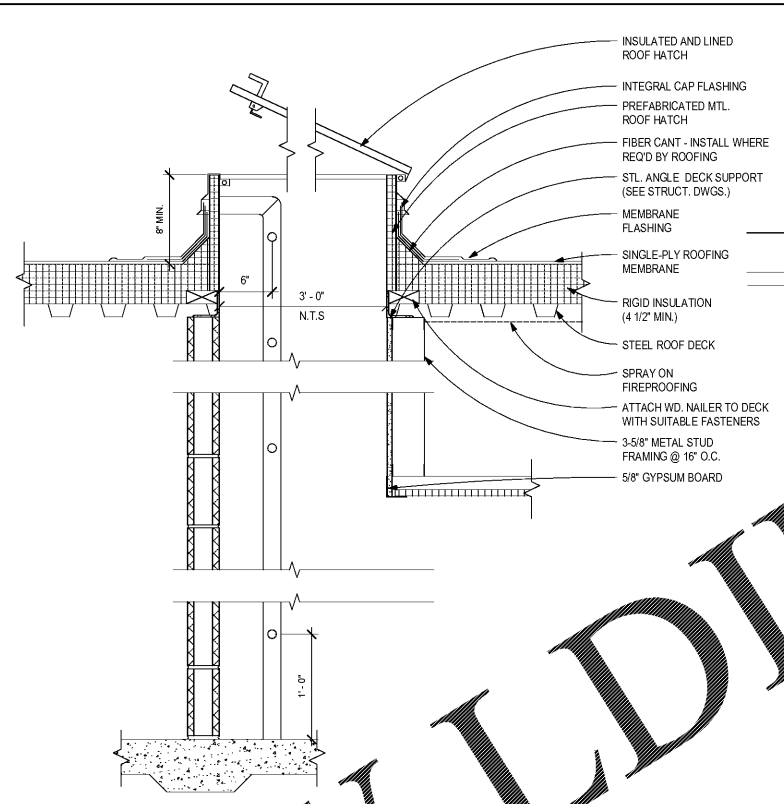


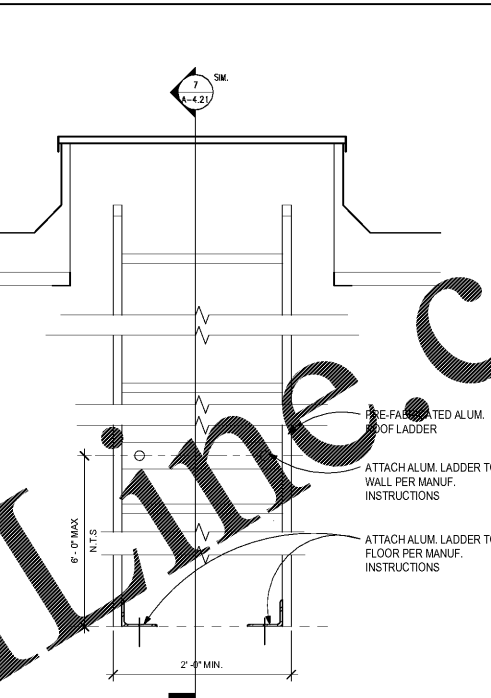
1 PARAPET INTERSECTION PLAN DETAIL
 A-4.21 1" = 1'-0"



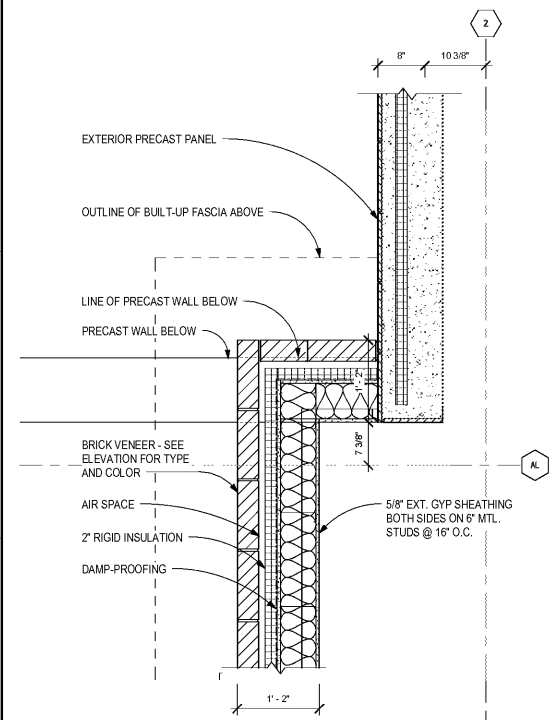
5 ROOF LADDER AT PARAPET
 A-4.21 3/4" = 1'-0"



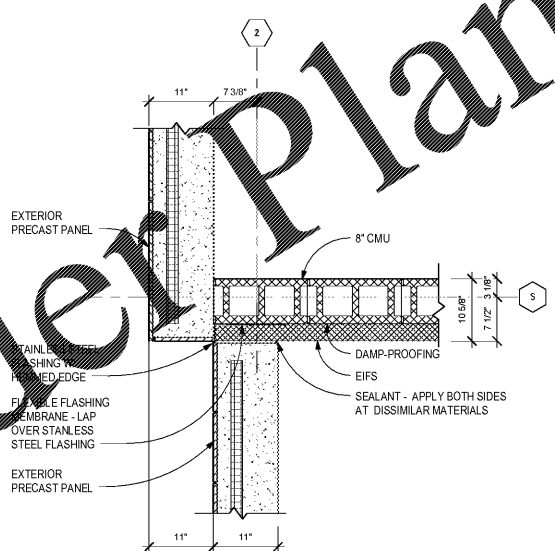
7 ROOF HATCH DETAIL
 A-4.21 1/2" = 1'-0"



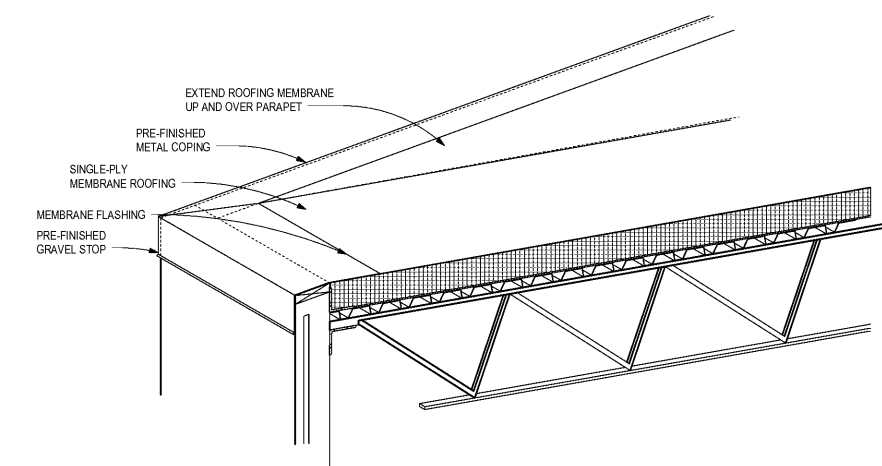
6 ROOF LADDER
 A-4.21 1 1/2" = 1'-0"



2 PARAPET INTERSECTION PLAN DETAIL
 A-4.21 1" = 1'-0"



3 PARAPET INTERSECTION PLAN DETAIL
 A-4.21 1" = 1'-0"



4 COPING TO GRAVEL STOP
 A-4.21 12" = 1'-0"

Order Plans @ WWW.LDILINE.COM

Architecture Facilitation Design

CGLS ARCHITECTS
 CHAPMAN GRIFFIN LANIER SUSENBACH ARCHITECTS INC.
 2018
 RELEASED FOR CONSTRUCTION

STATE OF GEORGIA
 REGISTERED ARCHITECT
 BRUCE SUSENBACH
 LICENSE NO. 10000

DATE	NO.	DESCRIPTION
03/27/18		CODE PRELIMINARY SUBMITTAL DESIGN DEVELOPMENT
06/19/18		CODE CONSTRUCTION DOCUMENTS
09/11/18		CODE CHECK-SET/FORMSET
10/10/18		FINAL CODE SUBMITTAL ISSUED FOR PROPOSALS

DOE FACILITY CODE: 660-3086
 RIVERWOOD HIGH SCHOOL PHASE 3-8 AUDITORIUM/GYMNASIUM ADDITION
 5900 RAIDER DRIVE NW SANDY SPRINGS, GA 30328
 FULTON COUNTY SCHOOLS RFP NO. 411-19

CHAPMAN GRIFFIN LANIER SUSENBACH ARCHITECTS
 400 Galleria Pkwy., Suite 100 Atlanta, Ga 30339 Phone: 404.733.5493

PROJECT NO. 16015.02
 DATE: 09/17/18
 DRAWN BY: Author
 CHECKED BY: Checker

A-4.21