

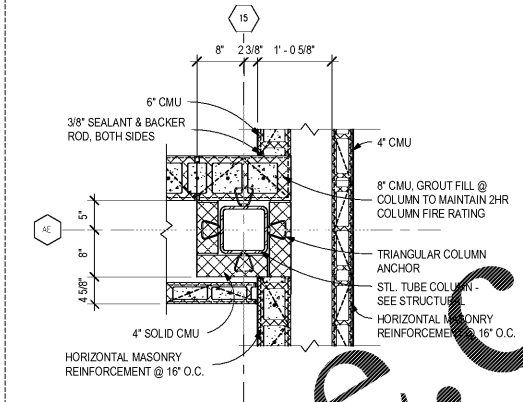
DATE	NO.	DESCRIPTION
01/27/18	001	SCHEMATIC DEVELOPMENT
01/19/18	002	CONSTRUCTION DOCUMENTS
09/17/18	003	ISSUE CHECK - SET/ PERMIT SET
10/10/18	004	FINAL GDC SUBMITTAL ISSUED FOR PROPOSAL

DATE	NO.	DESCRIPTION
01/27/18	001	SCHEMATIC DEVELOPMENT
01/19/18	002	CONSTRUCTION DOCUMENTS
09/17/18	003	ISSUE CHECK - SET/ PERMIT SET
10/10/18	004	FINAL GDC SUBMITTAL ISSUED FOR PROPOSAL

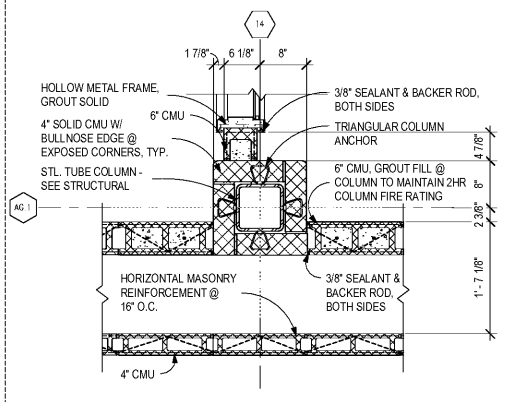
DOE FACILITY CODE: 660-3086  
**RIVERWOOD HIGH SCHOOL PHASE 3-B  
 AUDITORIUM/GYMNASIUM ADDITION**  
 5900 RAIDER DRIVE NW SANDY SPRINGS, GA 30328  
 FULTON COUNTY SCHOOLS RFP NO. 411-19

CHAPMAN GRIFIN LANIER SUSENBACH ARCHITECTS  
 400 Galleria Place, Suite 100 Atlanta, Ga 30339 Phone: 404.733.5493

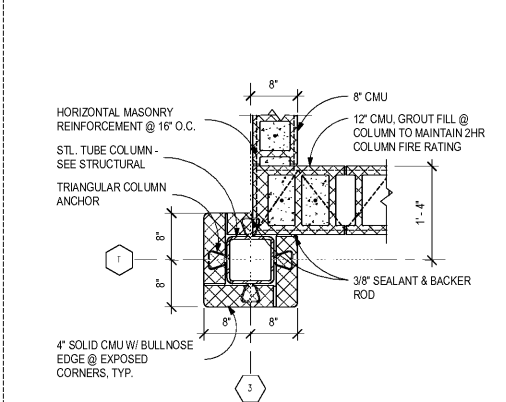
PROJECT NO. 16015.02  
 DATE: 09/17/18  
 DRAWN BY: Author  
 CHECKED BY: Checker  
 SHEET NO. **A-2.74**



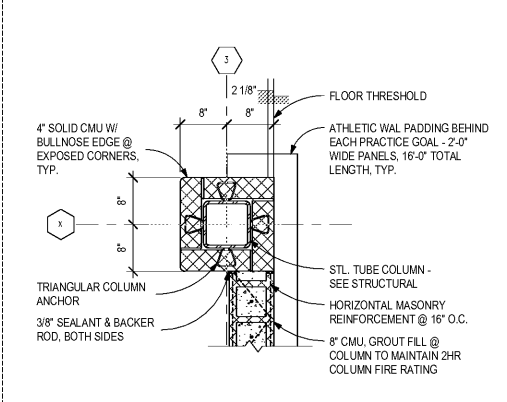
15 PLAN DETAIL - LEVEL 000 - INTERIOR  
A-2.74 1" = 1'-0"



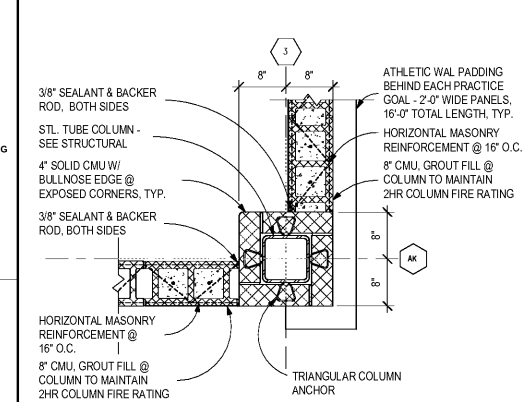
14 PLAN DETAIL - LEVEL 000 - INTERIOR  
A-2.74 1" = 1'-0"



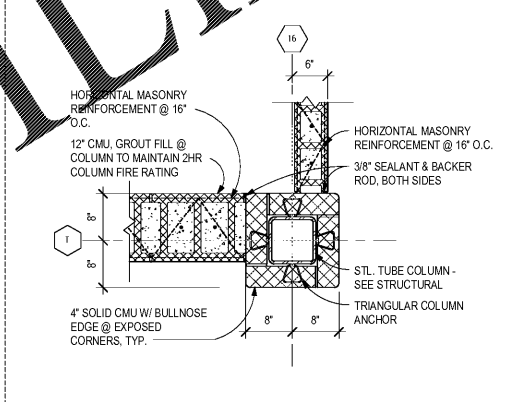
13 PLAN DETAIL - LEVEL 000 - INTERIOR  
A-2.74 1" = 1'-0"



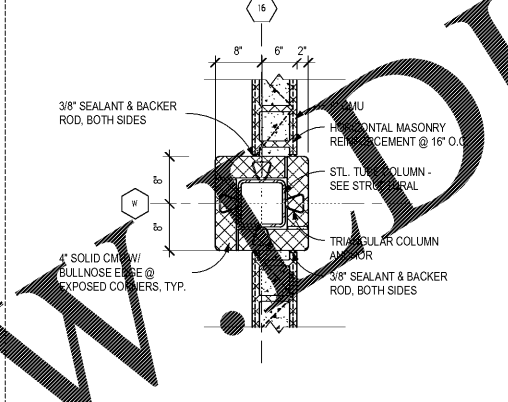
12 PLAN DETAIL - LEVEL 000 - INTERIOR  
A-2.74 1" = 1'-0"



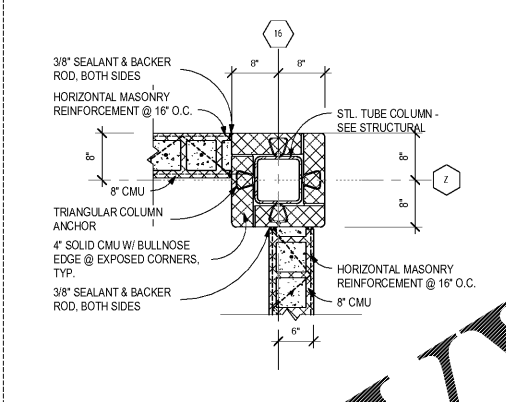
11 PLAN DETAIL - LEVEL 000 - INTERIOR  
A-2.74 1" = 1'-0"



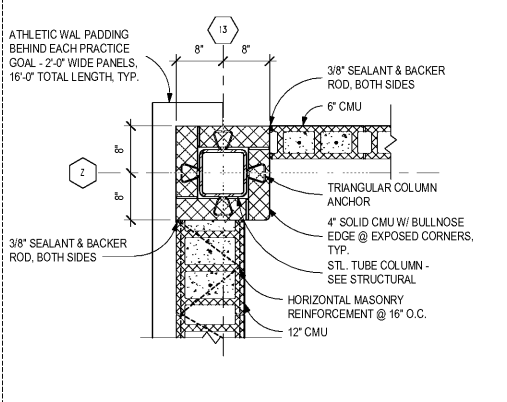
10 PLAN DETAIL - LEVEL 000 - INTERIOR  
A-2.74 1" = 1'-0"



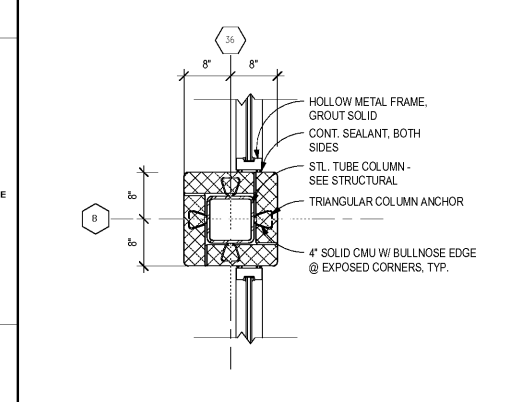
9 PLAN DETAIL - LEVEL 000 - INTERIOR  
A-2.74 1" = 1'-0"



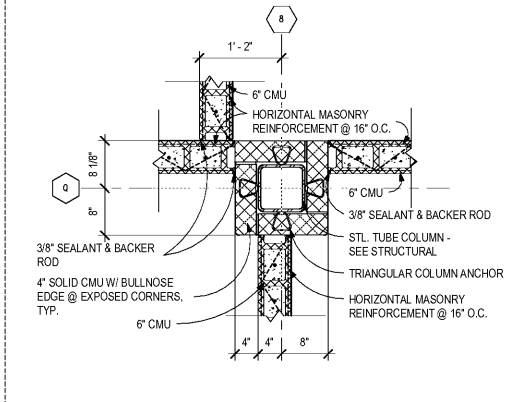
8 PLAN DETAIL - LEVEL 000 - INTERIOR  
A-2.74 1" = 1'-0"



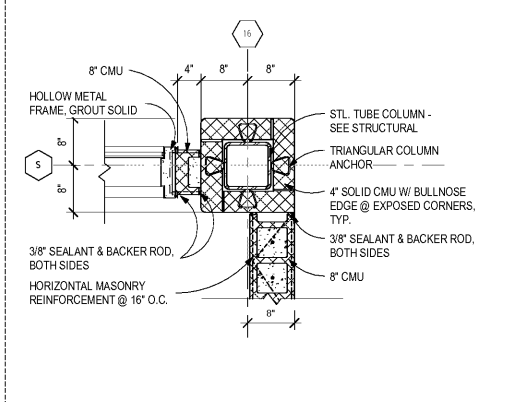
7 PLAN DETAIL - LEVEL 000 - INTERIOR  
A-2.74 1" = 1'-0"



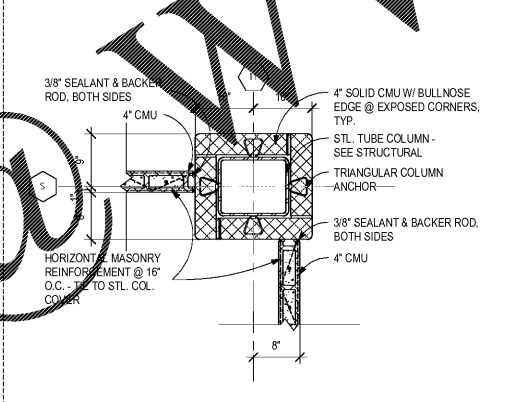
6 PLAN DETAIL - LEVEL 000 - INTERIOR  
A-2.74 1" = 1'-0"



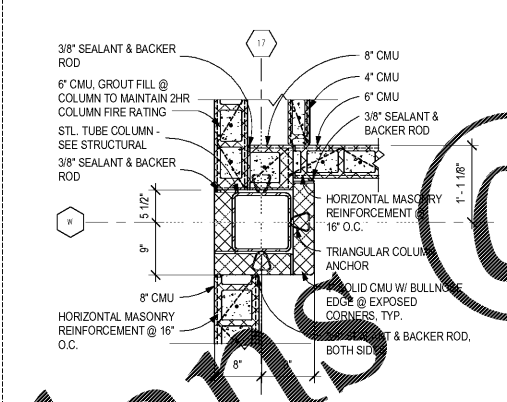
16 PLAN DETAIL - LEVEL 000 - INTERIOR  
A-2.74 1" = 1'-0"



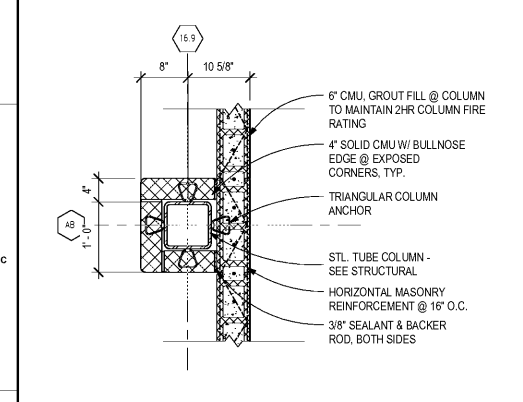
15 PLAN DETAIL - LEVEL 000 - INTERIOR  
A-2.74 1" = 1'-0"



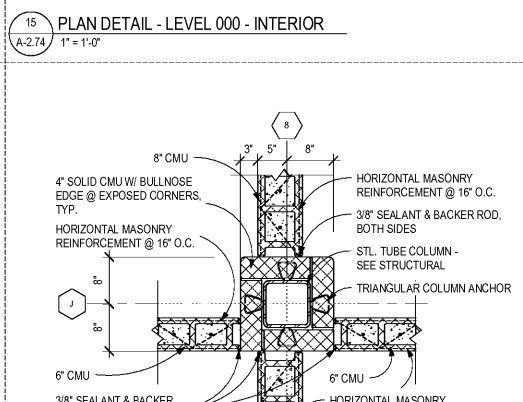
14 PLAN DETAIL - LEVEL 000 - INTERIOR  
A-2.74 1" = 1'-0"



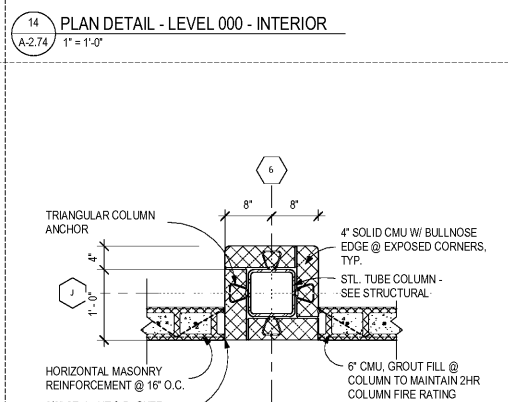
13 PLAN DETAIL - LEVEL 000 - INTERIOR  
A-2.74 1" = 1'-0"



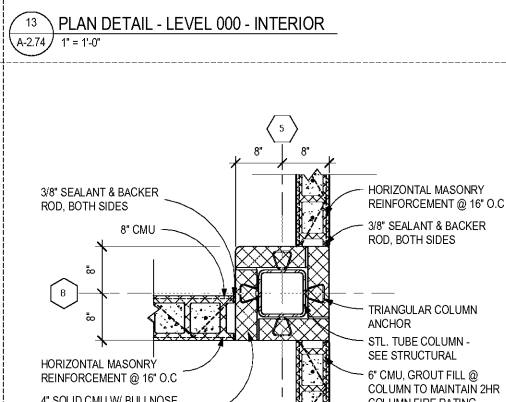
12 PLAN DETAIL - LEVEL 000 - INTERIOR  
A-2.74 1" = 1'-0"



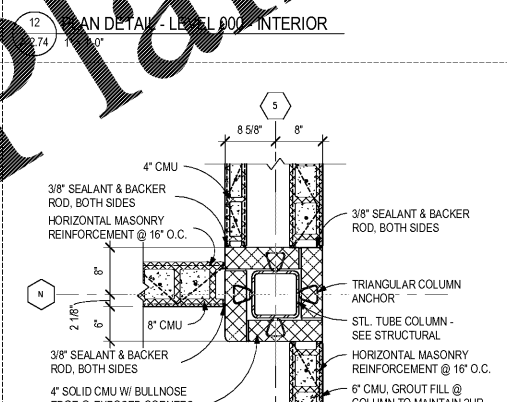
17 PLAN DETAIL - LEVEL 000 - INTERIOR  
A-2.74 1" = 1'-0"



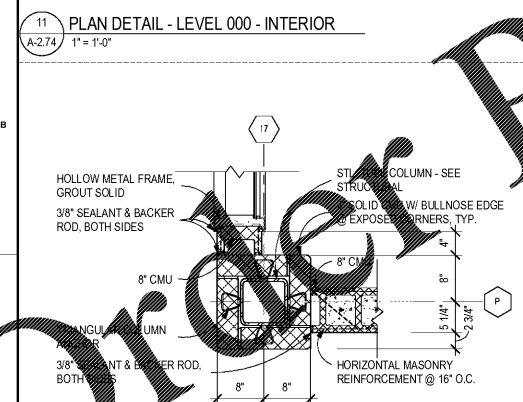
16 PLAN DETAIL - LEVEL 000 - INTERIOR  
A-2.74 1" = 1'-0"



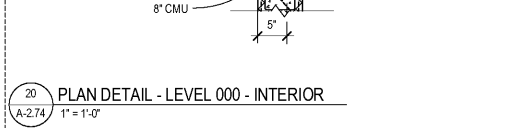
15 PLAN DETAIL - LEVEL 000 - INTERIOR  
A-2.74 1" = 1'-0"



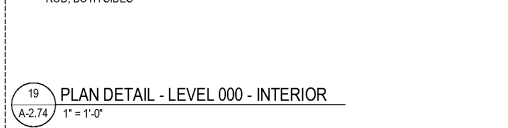
14 PLAN DETAIL - LEVEL 000 - INTERIOR  
A-2.74 1" = 1'-0"



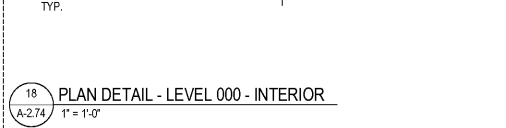
13 PLAN DETAIL - LEVEL 000 - INTERIOR  
A-2.74 1" = 1'-0"



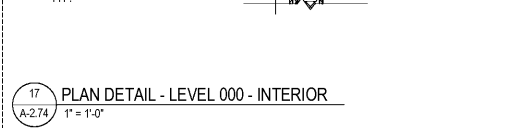
18 PLAN DETAIL - LEVEL 000 - INTERIOR  
A-2.74 1" = 1'-0"



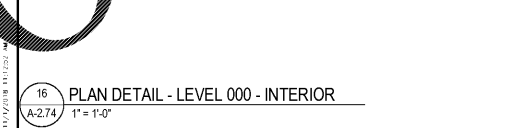
17 PLAN DETAIL - LEVEL 000 - INTERIOR  
A-2.74 1" = 1'-0"



16 PLAN DETAIL - LEVEL 000 - INTERIOR  
A-2.74 1" = 1'-0"



15 PLAN DETAIL - LEVEL 000 - INTERIOR  
A-2.74 1" = 1'-0"



14 PLAN DETAIL - LEVEL 000 - INTERIOR  
A-2.74 1" = 1'-0"

Order Plans