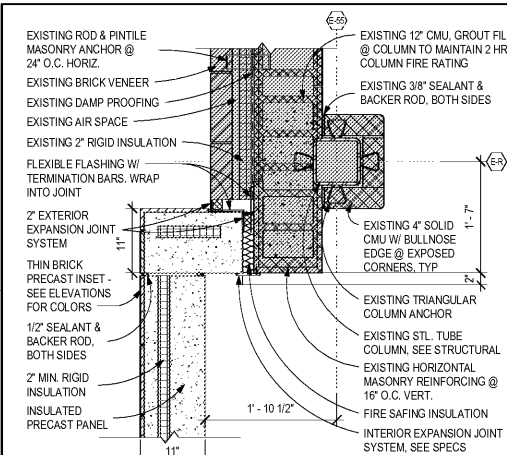
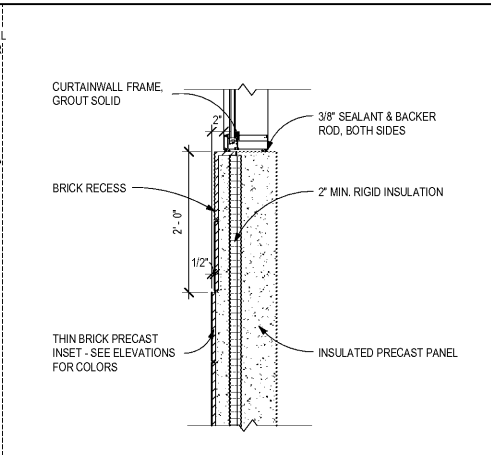


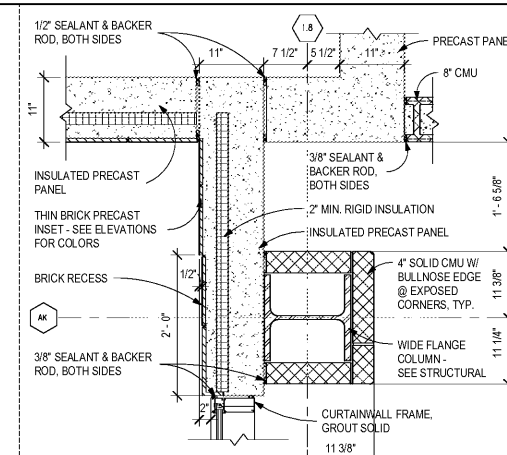
Order Plans



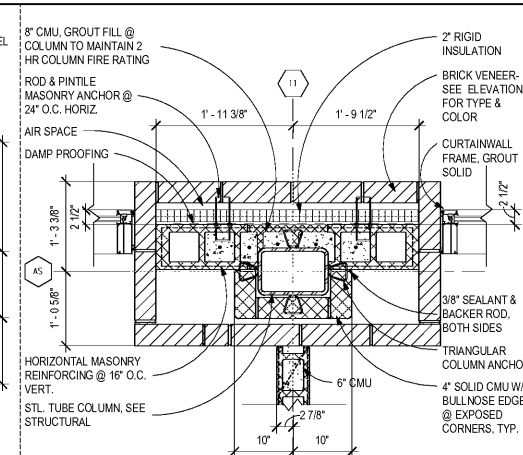
1 PLAN DETAIL - LEVEL 100 - EXTERIOR
 A-2.71 1" = 1'-0"



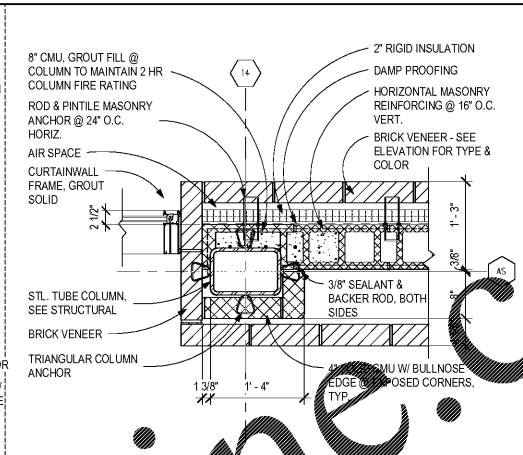
2 PLAN DETAIL - LEVEL 100 - EXTERIOR
 A-2.71 1" = 1'-0"



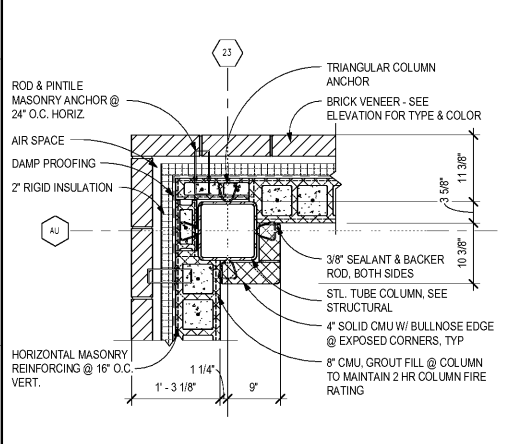
3 PLAN DETAIL - LEVEL 100 - EXTERIOR
 A-2.71 1" = 1'-0"



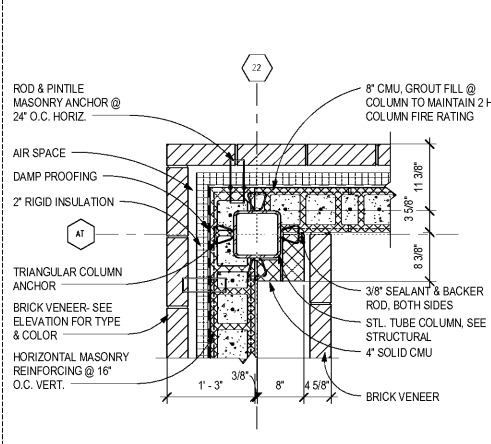
4 PLAN DETAIL - LEVEL 100 - EXTERIOR
 A-2.71 1" = 1'-0"



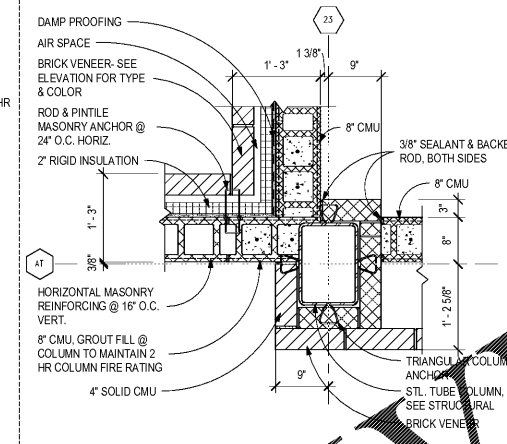
5 PLAN DETAIL - LEVEL 100 - EXTERIOR
 A-2.71 1" = 1'-0"



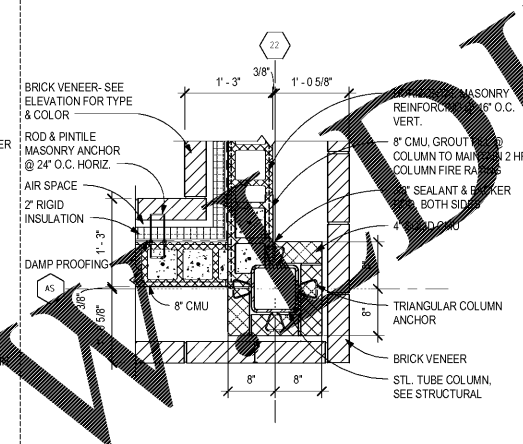
6 PLAN DETAIL - LEVEL 100 - EXTERIOR
 A-2.71 1" = 1'-0"



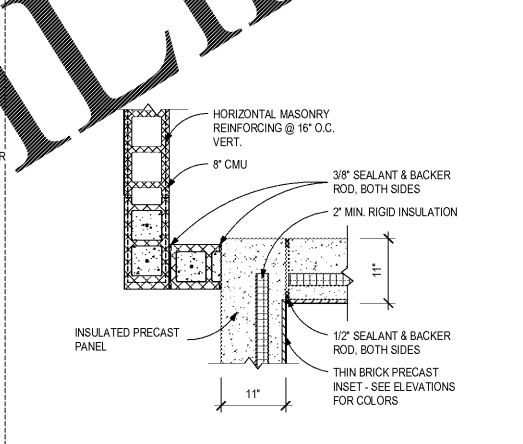
7 PLAN DETAIL - LEVEL 100 - EXTERIOR
 A-2.71 1" = 1'-0"



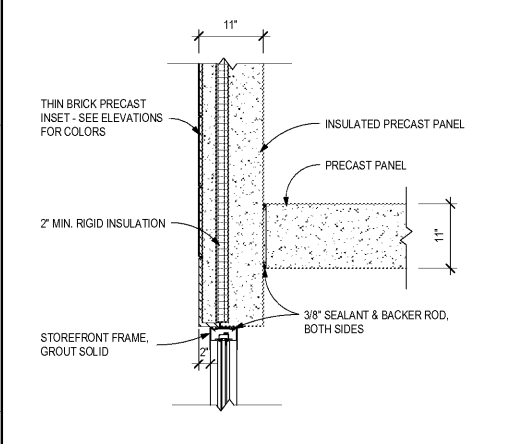
8 PLAN DETAIL - LEVEL 100 - EXTERIOR
 A-2.71 1" = 1'-0"



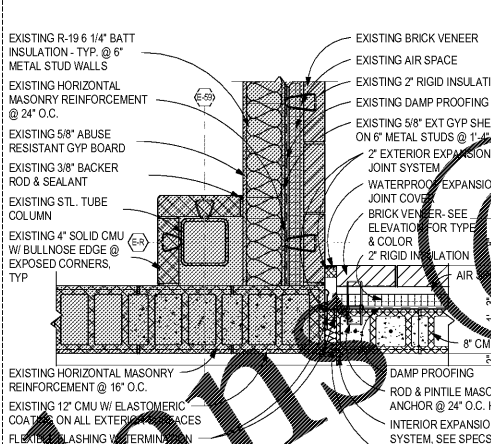
9 PLAN DETAIL - LEVEL 100 - EXTERIOR
 A-2.71 1" = 1'-0"



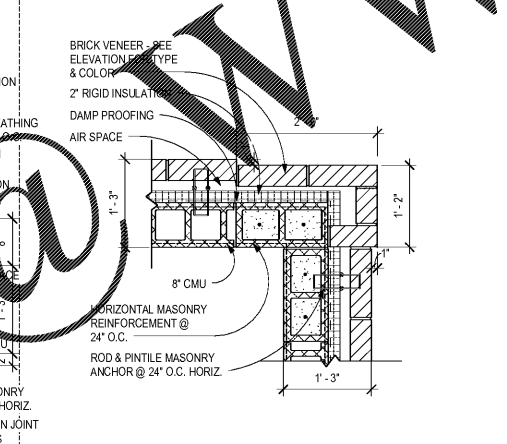
10 PLAN DETAIL - LEVEL 100 - EXTERIOR
 A-2.71 1" = 1'-0"



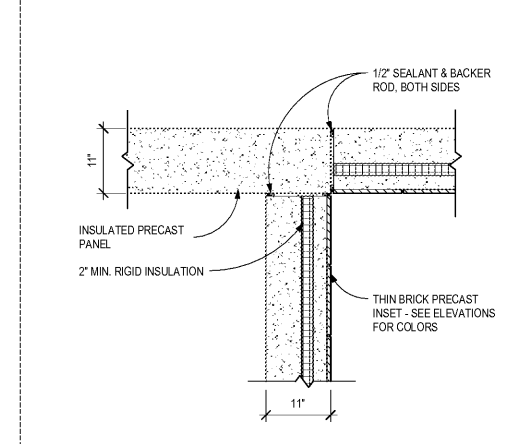
11 PLAN DETAIL - LEVEL 100 - EXTERIOR
 A-2.71 1" = 1'-0"



12 PLAN DETAIL - LEVEL 100 - EXTERIOR
 A-2.71 1" = 1'-0"



13 PLAN DETAIL - LEVEL 100 - EXTERIOR
 A-2.71 1" = 1'-0"



14 PLAN DETAIL - LEVEL 100 - EXTERIOR
 A-2.71 1" = 1'-0"

Architectural Facilitation Design

CHAPMAN GRIFFIN LANIER SUSENBACH ARCHITECTS
 400 Galleria Pkwy., Suite 100 Atlanta, Ga 30339 Phone: 404.733.5493

STATE OF GEORGIA
 REGISTERED ARCHITECT

DATE	NO.	DESCRIPTION
01/27/18	002	PRELIMINARY SUBMITTAL DESIGN DEVELOPMENT
01/19/18	001	CONSTRUCTION DOCUMENTS
09/17/18	003	CHECK - SET/ PERMIT SET
10/10/18	004	FINAL GDC SUBMITTAL ISSUED FOR PROPOSAL

DOE FACILITY CODE: 660-3086
 RIVERWOOD HIGH SCHOOL PHASE 3-B
 AUDITORIUM/GYMNASIUM ADDITION
 5900 RAIDER DRIVE NW SANDY SPRINGS, GA 30328
 FULTON COUNTY SCHOOLS RFP NO. 411-18

PROJECT NO. 16015.02
 DATE: 09/17/18
 DRAWN BY: Author
 CHECKED BY: Cracker

A-2.71