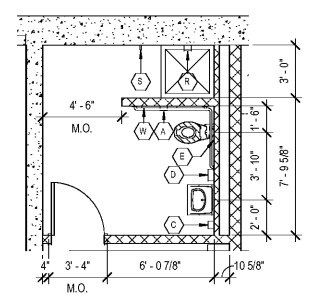
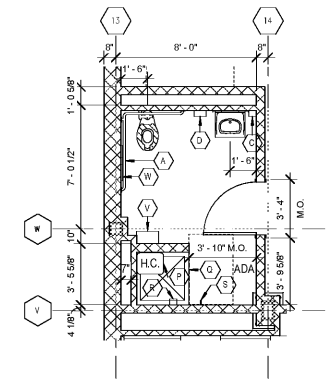


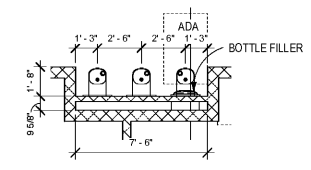
G
F
E
D
C
B
A



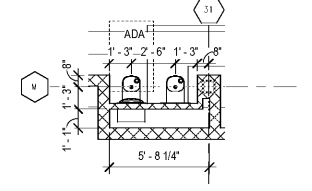
1 ENLARGED TOILET PLAN - OFFICIALS
A-2.61 1/4" = 1'-0"



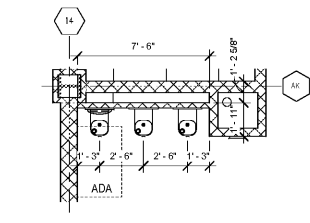
2 ENLARGED TOILET PLAN - COACHES OFFICES
A-2.61 1/4" = 1'-0"



3 WATER FOUNTAIN - LEVEL 000
A-2.61 1/4" = 1'-0"




4 WATER FOUNTAIN - LEVEL 000
A-2.61 1/4" = 1'-0"



5 WATER FOUNTAIN - LEVEL 100
A-2.61 1/4" = 1'-0"


Order Plans @ www.LDILine.com

Architecture
Facilitation Design



CHAPMAN GRIFFIN LANIER SUSSENBACH ARCHITECTS INC.
REGISTERED ARCHITECTS IN THE STATE OF GEORGIA
2018

RELEASED FOR CONSTRUCTION



DATE	NO.	DESCRIPTION
01/27/18		CODE PRELIMINARY SUBMITTAL
01/19/18		DESIGN DEVELOPMENT DOCUMENTS
01/17/18		DATE CONSTRUCTION DOCUMENTS
10/10/18		CODE CHECK - SET/ PERMIT SET
1/01/18		FINAL CODE SUBMITTAL ISSUED FOR PROPOSALS

PROJECT NO. 16015.02
DATE 09/17/18
DRAWN BY: Author
CHECKED BY: Checker
SHEET NO. A-2.61

CHAPMAN GRIFFIN LANIER SUSSENBACH ARCHITECTS
400 Galleria Pkwy., Suite 100 Atlanta, Ga 30339 Phone: 404.733.5493

DOE FACILITY CODE: 660-3086
RIVERWOOD HIGH SCHOOL PHASE 3-8 AUDITORIUM/GYMNASIUM ADDITION
5900 RAIDER DRIVE NW SANDY SPRINGS, GA 30328
FULTON COUNTY SCHOOLS RFP NO. 411-19