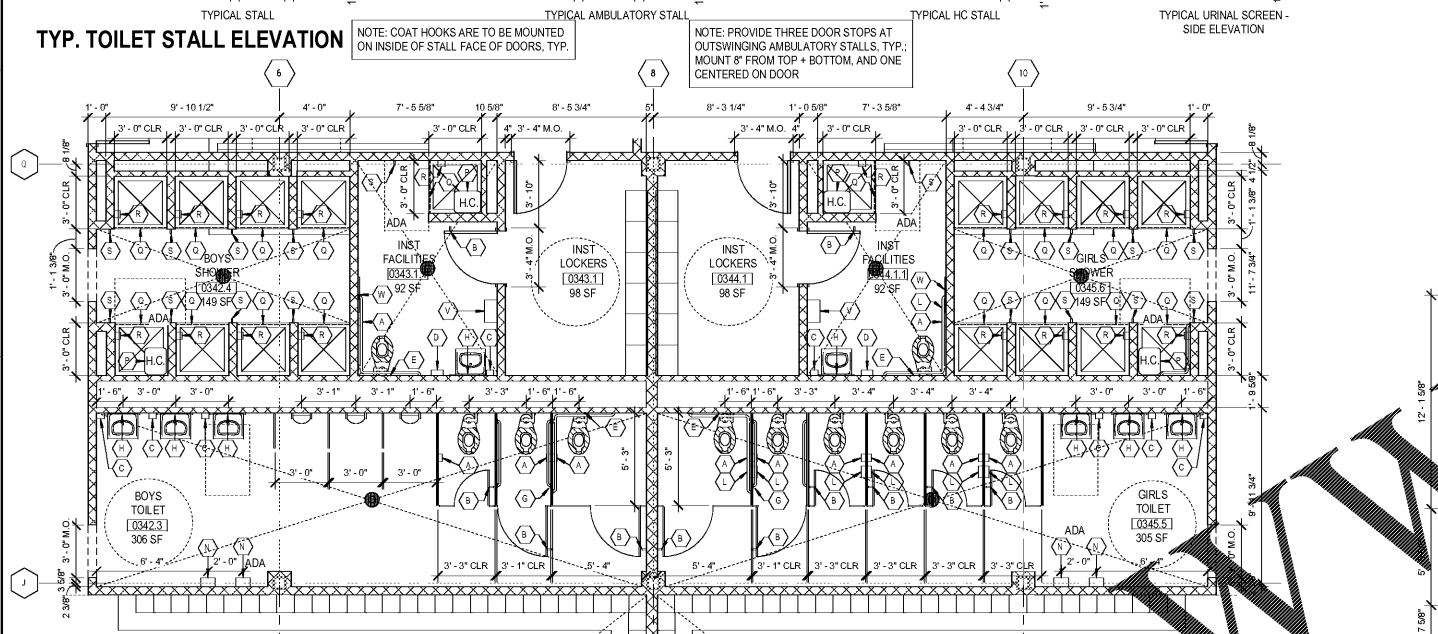
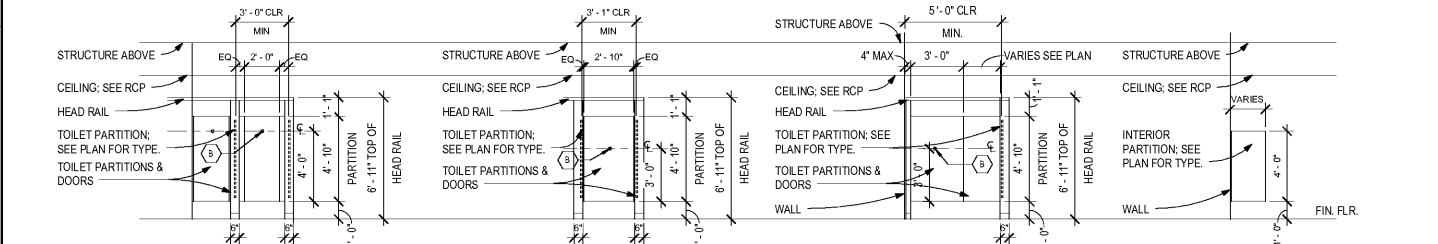
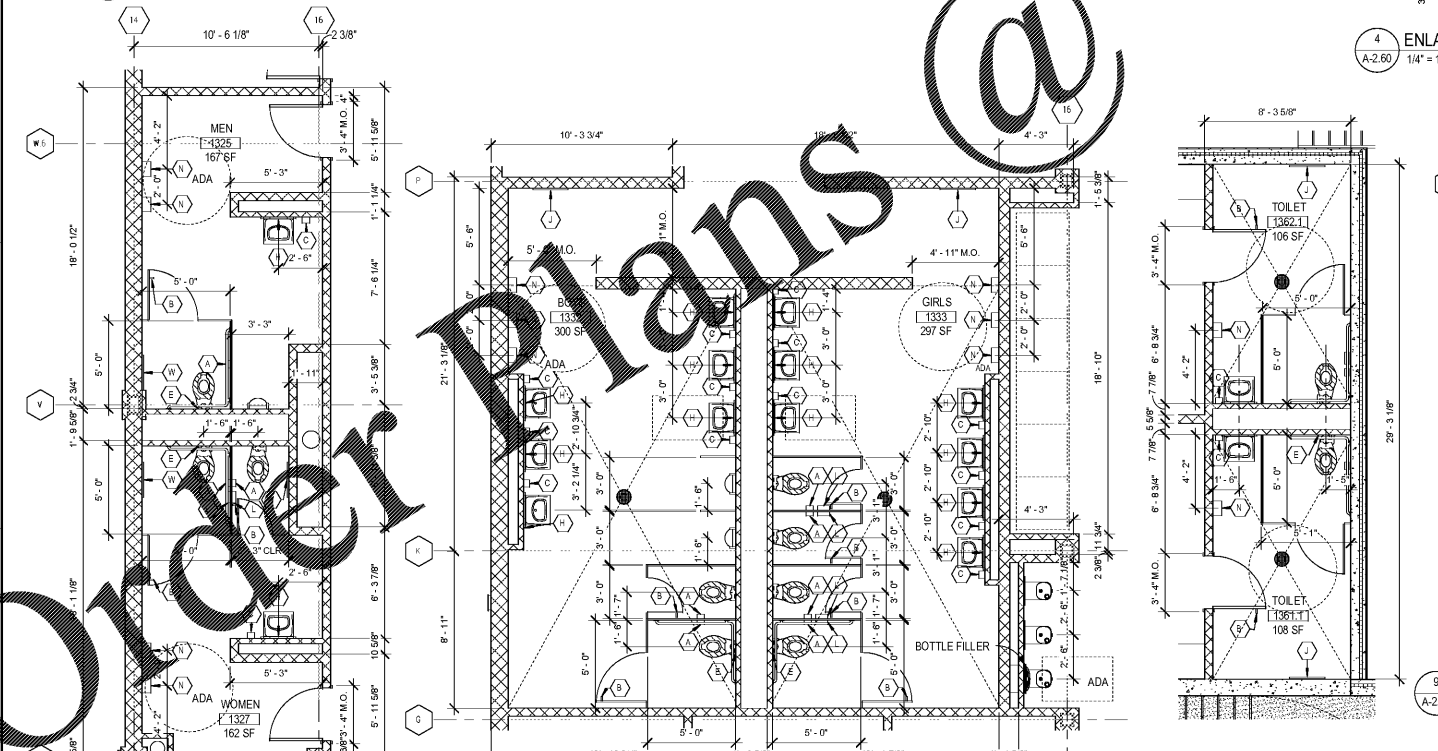


**TYPICAL MOUNTING HEIGHTS**



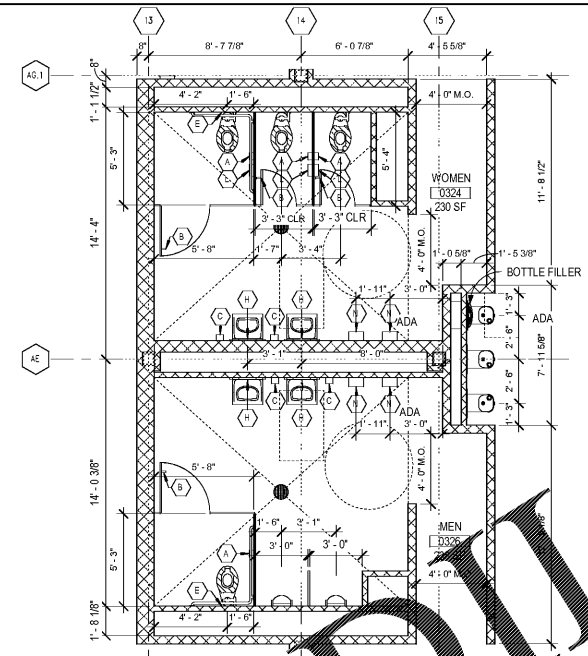
**3 ENLARGED TOILET PLAN - LOCKER ROOMS**  
A-2.60 1/4" = 1'-0"



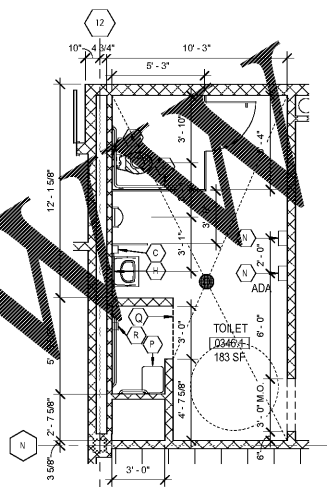
**6 ENLARGED TOILET PLAN - MAIN GYM LEVEL 100**  
A-2.60 1/4" = 1'-0"

**7 ENLARGED TOILET PLAN - AUX GYM**  
A-2.60 1/4" = 1'-0"

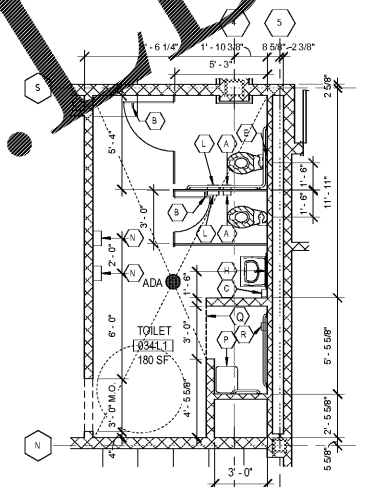
**8 ENLARGED TOILET PLAN - DRESSING ROOM**  
A-2.60 1/4" = 1'-0"



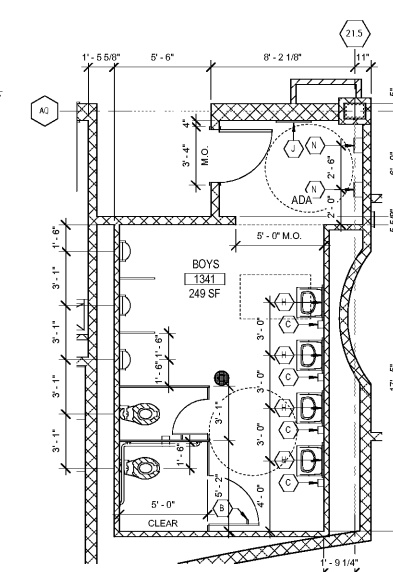
**1 ENLARGED TOILET PLAN - MAIN GYM LEVEL 000**  
A-2.60 1/4" = 1'-0"



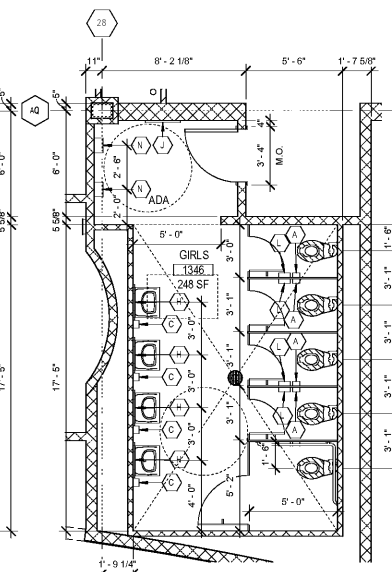
**4 ENLARGED TOILET PLAN - BOYS VISITORS**  
A-2.60 1/4" = 1'-0"



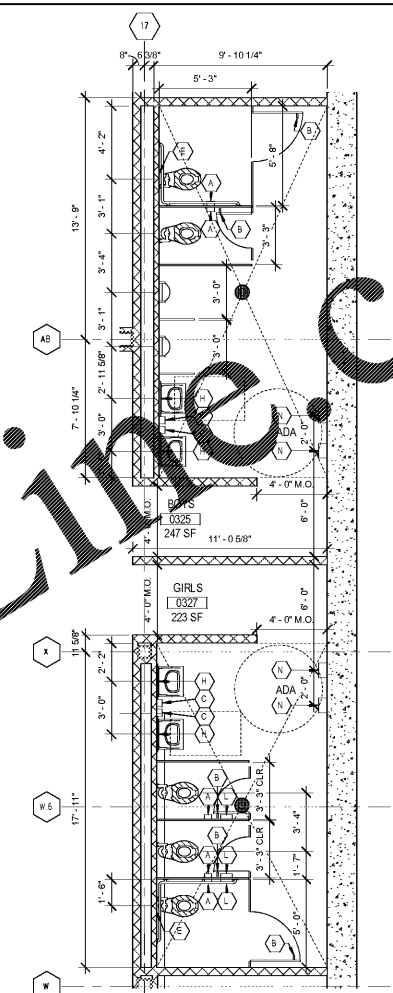
**5 ENLARGED TOILET PLAN - GIRLS VISITORS**  
A-2.60 1/4" = 1'-0"



**9 ENLARGED TOILET PLAN - AUDITORIUM BOYS**  
A-2.60 1/4" = 1'-0"



**10 ENLARGED TOILET PLAN - AUDITORIUM GIRLS**  
A-2.60 1/4" = 1'-0"



**2 ENLARGED TOILET PLAN - STUDENT LEVEL 000**  
A-2.60 1/4" = 1'-0"

**TOILET ACCESSORY LEGEND**

- A TOILET TISSUE DISPENSER, NIC
- B COAT HOOK & BUMPER - NOTE 1
- C SOAP DISPENSER, NIC
- D PAPER TOWEL DISPENSER (NIC EXCEPT IN KITCHEN AREAS)
- E 42" X 54" TWO-WALL GRAB BAR
- F 15-7/8" X 30-7/8" TWO-WALL GRAB BAR
- G 42" GRAB BAR
- H 24" W X 48" H MIRROR
- I 24" W X 60" H MIRROR
- J MOP AND BROOM HOLDER
- K SANITARY NAPKIN DISPOSAL UNIT, SURFACE MOUNTED
- L SANITARY NAPKIN DISPOSAL UNIT, RECESSED
- M ELECTRIC HAND DRYER
- N FOLDING SHOWER SEAT
- O SHOWER CURTAIN & CURTAIN ROD
- P SOAP DISH
- Q TOWEL HOOK - NOTE 2
- R SHOWER HEAD W/ SCALD GUARD - HAND HELD
- S JUMBO TOILET TISSUE HOLDER, N.I.C.
- T WALL MOUNTED WASTE RECEPTACLE
- U TOILET SEAT COVER DISPENSER

NOTE:  
1. MOUNT STAFF TOILET COAT HOOKS @ 48" A.F.F.  
2. MOUNT TOWEL HOOKS @ 54" A.F.F., EXCEPT HOOKS AT HC SHOWER - MOUNT @ 48" A.F.F.

**CHAPMAN GRIFFIN LANIER SUSSENBACH ARCHITECTS**  
400 Galleria Place, Suite 100 Atlanta, Ga 30339 Phone: 404.733.5493

CHAPMAN GRIFFIN LANIER ARCHITECTS BRANCH  
 MEMBERS IN  
 2018  
 RELEASED FOR CONSTRUCTION

STATE OF GEORGIA  
 REGISTERED ARCHITECT  
 ROBERT SUSSENBACH

DATE	NO.	DESCRIPTION
03/27/18		CODE PRELIMINARY SUBMITTAL DESIGN DEVELOPMENT
06/19/18		CODE PRELIMINARY SUBMITTAL DESIGN DEVELOPMENT
09/17/18		CODE CHECK - SET/ PERM SET
10/10/18		FINAL CODE SUBMITTAL ISSUED FOR PROPOSAL

**A-2.60**

Order Plans @