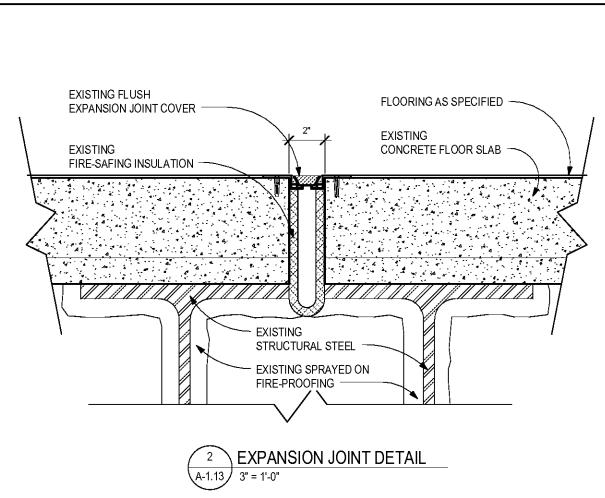
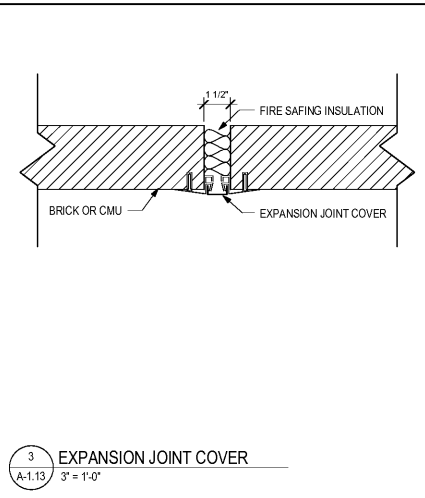


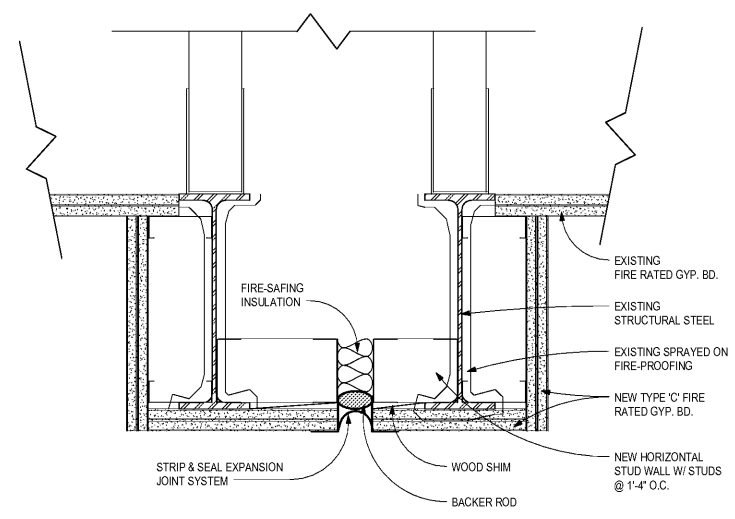
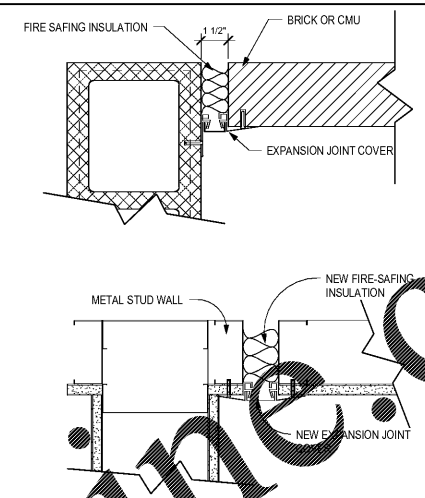
1 EXPANSION JOINT DETAIL  
A-1.13 3" = 1'-0"



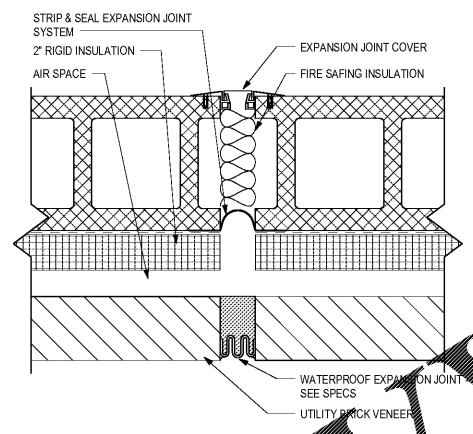
2 EXPANSION JOINT DETAIL  
A-1.13 3" = 1'-0"



3 EXPANSION JOINT COVER  
A-1.13 3" = 1'-0"



4 EXPANSION JOINT DETAIL @ ROOF BEARING  
A-1.13 3" = 1'-0"



5 EXPANSION JOINT - BRICK  
A-1.13 3" = 1'-0"

CHAPMAN GRIFFIN LANIER SUSSENBACH ARCHITECTS  
 400 Galleria Pkwy., Suite 100 Atlanta, Ga 30339 Phone: 404.733.5493

RIVERWOOD HIGH SCHOOL PHASE 3-8 AUDITORIUM/GYMNASIUM ADDITION  
 5900 RAIDER DRIVE NW SANDY SPRINGS, GA 30328  
 FULTON COUNTY SCHOOLS RFP NO. 411-19

| DATE     | NO. | DESCRIPTION                              |
|----------|-----|--|
| 01/27/18 | 001 | PRELIMINARY SUBMITTAL DESIGN DEVELOPMENT |
| 01/19/18 | 002 | CONSTRUCTION DOCUMENTS                   |
| 01/17/18 | 003 | CONSTRUCTION DOCUMENTS                   |
| 01/10/18 | 004 | FINAL GDC SUBMITTAL ISSUED FOR PROPOSALS |

PROJECT NO. 16015.02  
 DATE: 09/17/18  
 DRAWN BY: Author  
 CHECKED BY: Cracker  
 SHEET NO. A-1.13

Order Plans @ www.LDILine.com