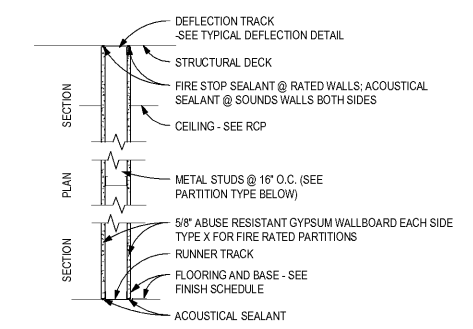


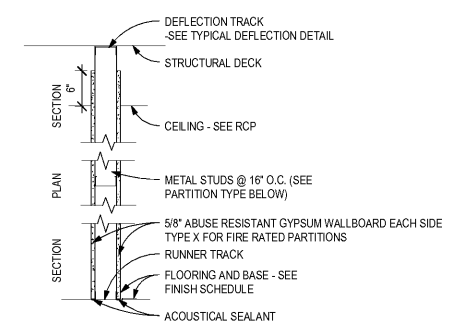
**PARTITION NOTES**

- SEE STRUCTURAL DRAWINGS FOR MASONRY REINFORCING REQUIREMENTS & BRACING REQUIREMENTS.
- ALL FIRE RATED PARTITIONS ARE TO EXTEND TO UNDERSIDE OF ROOF DECK OR FLOOR DECK ABOVE, WHERE BEAMS AND/OR BAR JOISTS RUN PARALLEL & ALONG WALLS. EXTEND FIRE RATING AROUND TO COMPLETELY CONCEAL BEAMS/BAR JOISTS. SEE ULL SCHEDULE 'M50'.
- MEET OR EXCEED THE PARTITION TYPE REQUIREMENTS INDICATED.
- REFER TO ARCHITECTURAL DRAWING PLANS AND PLAN NOTES FOR PARTITION TYPE LOCATIONS.
- SEE SPECIFIC DETAIL DRAWING AND SPECIFICATIONS FOR OFFSET AT THE TOP OF THE PARTITION, PLAN CONFIGURATIONS AND PROJECT CONDITIONS.
- PROVIDE FIRE RETARDANT TREATED BLOCKING AND SUPPORT FOR EQUIPMENT AND ACCESSORIES WHICH REQUIRE INTERNAL REINFORCEMENT ON METAL STUD PARTITION WALLS. GROUT FILL @ CHU WALLS REVISION EQUIPMENT LOCATED ON ALL PLANS AND EQUIPMENT FOUND ON SCHEDULE S SHEET.
- GYPSUM BOARD JOINTS ARE TO BE FINISHED DOWN TO FLOOR LEVEL AND UP TO SLAB/STRUCTURAL DECK ABOVE.
- FOR RATED WALLS ALL EXPOSED SCREWS SHALL BE COVERED WITH JOINT COMPOUND.
- CONTRACTOR SHALL FOLLOW THE ULL LISTED ASSEMBLY FOR PARTITION TYPES.
- WHEN USING A RATED WALL, FOLLOW ALL DETAILS OF THE LISTED ASSEMBLY, NOT ALL OF THE DETAILS ON THE SHEET ARE INDICATED.
- REFER TO SHEETS A-1.12 AND A-1.13 FOR ADDITIONAL PARTITION TYPE INFORMATION AND CONTROL & EXPANSION JOINTS.
- WHERE INDICATED METAL STUD WIDTH WILL NOT FREELY SPAN FULL HEIGHT AND SHALL BE BRACED BACK TO STRUCTURE ABOVE FINISHED CEILING. COORDINATE LOCATION WITH MEP SCOPE.
- SEAL ALL PENETRATIONS THROUGH EXTERIOR & FIRE RATED WALLS. SEE ULL SCHEDULE 'M' FOR PENETRATION STOPPING DETAILS.
- GROUT FILL SOLID ALL 4" DIA. CHU WALLS WHERE LOCATED IN GYMNASIUM.



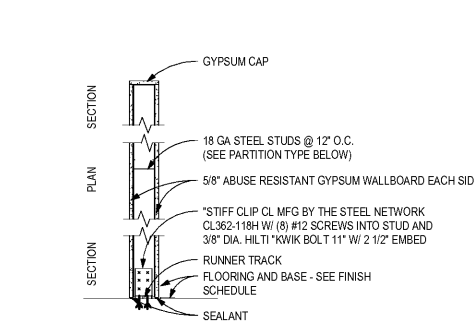
| WALL TYPE | DESCRIPTION  | FIRE RATING | STC | ULL NO. |
|-----------|--|-------------|-----|---------|
| G2A       | 2 1/2" MTL STUDS W/ 5/8" ABUSE RESISTANT GYP BD ON EACH SIDE | -           | -   | -       |
| G4A       | 3 5/8" MTL STUDS W/ 5/8" ABUSE RESISTANT GYP BD ON EACH SIDE | -           | -   | -       |
| G6A       | 6" MTL STUDS W/ 5/8" ABUSE RESISTANT GYP BD ON EACH SIDE     | -           | -   | -       |
| G8A       | 8" MTL STUDS W/ 5/8" ABUSE RESISTANT GYP BD ON EACH SIDE     | -           | -   | -       |

**GA PARTITION 'TO DECK'**



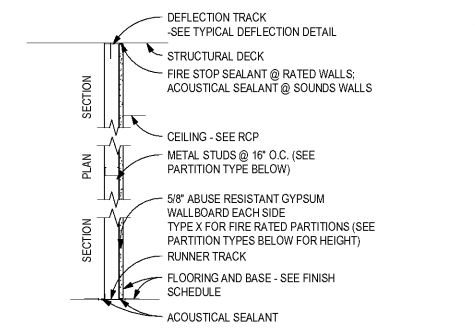
| WALL TYPE | DESCRIPTION  | FIRE RATING | STC | ULL NO. |
|-----------|--|-------------|-----|---------|
| G2B       | 2 1/2" MTL STUDS W/ 5/8" ABUSE RESISTANT GYP BD ON EACH SIDE | -           | -   | -       |
| G4B       | 3 5/8" MTL STUDS W/ 5/8" ABUSE RESISTANT GYP BD ON EACH SIDE | -           | -   | -       |
| G6B       | 6" MTL STUDS W/ 5/8" ABUSE RESISTANT GYP BD ON EACH SIDE     | -           | -   | -       |
| G8B       | 8" MTL STUDS W/ 5/8" ABUSE RESISTANT GYP BD ON EACH SIDE     | -           | -   | -       |

**GB PARTITION '6" ABOVE CLG'**



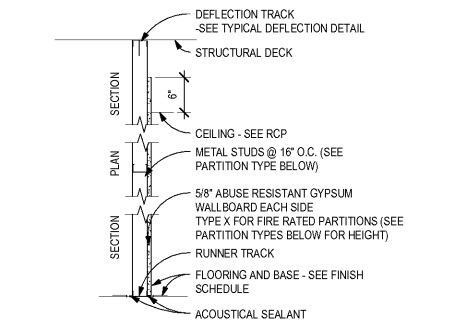
| WALL TYPE | DESCRIPTION  | FIRE RATING | STC | ULL NO. |
|-----------|--|-------------|-----|---------|
| G4C       | 3 5/8" MTL STUDS W/ 5/8" ABUSE RESISTANT GYP BD ON EACH SIDE AND TOP | -           | -   | -       |
| G6C       | 6" MTL STUDS W/ 5/8" ABUSE RESISTANT GYP BD ON EACH SIDE AND TOP     | -           | -   | -       |
| G8C       | 8" MTL STUDS W/ 5/8" ABUSE RESISTANT GYP BD ON EACH SIDE AND TOP     | -           | -   | -       |

**GC PARTITION 'LOW WALL'**



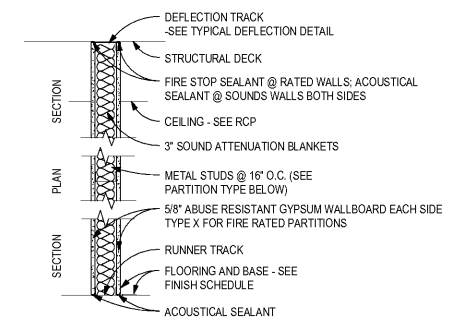
| WALL TYPE | DESCRIPTION  | FIRE RATING | STC | ULL NO. |
|-----------|--|-------------|-----|---------|
| G2D       | 2 1/2" MTL STUDS W/ 5/8" ABUSE RESISTANT GYP BD ONE SIDE | -           | -   | -       |
| G4D       | 3 5/8" MTL STUDS W/ 5/8" ABUSE RESISTANT GYP BD ONE SIDE | -           | -   | -       |
| G6D       | 6" MTL STUDS W/ 5/8" ABUSE RESISTANT GYP BD ONE SIDE     | -           | -   | -       |
| G8D       | 8" MTL STUDS W/ 5/8" ABUSE RESISTANT GYP BD ONE SIDE     | -           | -   | -       |

**GD PARTITION 'ONE SIDE GWB'**



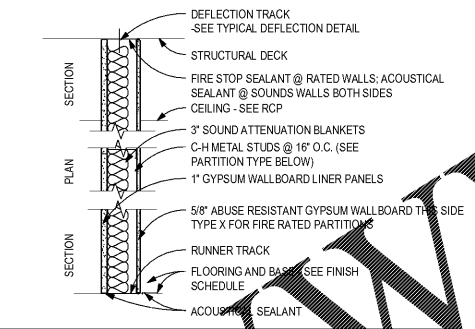
| WALL TYPE | DESCRIPTION  | FIRE RATING | STC | ULL NO. |
|-----------|--|-------------|-----|---------|
| G1E       | 7/8" MTL FURRING CHANNELS W/ 5/8" ABUSE RESISTANT GYP BD @ 24" O.C.      | -           | -   | -       |
| G2E       | 2 1/2" MTL STUDS W/ 5/8" ABUSE RESISTANT GYP BD ONE SIDE 6" ABOVE CLG    | -           | -   | -       |
| G4E       | 3 5/8" MTL STUDS W/ 5/8" ABUSE RESISTANT GYP BD ON ONE SIDE 6" ABOVE CLG | -           | -   | -       |
| G6E       | 6" MTL STUDS W/ 5/8" ABUSE RESISTANT GYP BD ON ONE SIDE 6" ABOVE CLG     | -           | -   | -       |
| G8E       | 8" MTL STUDS W/ 5/8" ABUSE RESISTANT GYP BD ON ONE SIDE 6" ABOVE CLG     | -           | -   | -       |

**GE PARTITION 'ONE SIDE GWB 6" ABOVE CLG'**



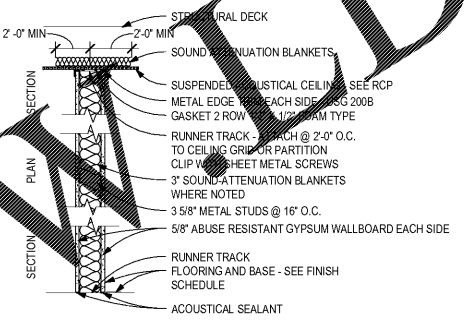
| WALL TYPE | DESCRIPTION   | FIRE RATING | STC | ULL NO. |
|-----------|---|-------------|-----|---------|
| G2F       | 2 1/2" MTL STUDS W/ 5/8" ABUSE RESISTANT GYP BD ON EACH SIDE W/ ACOUSTICAL SEALANT & ATTENUATION BLANKETS | -           | -   | -       |
| G4F       | 3 5/8" MTL STUDS W/ 5/8" ABUSE RESISTANT GYP BD ON EACH SIDE W/ ACOUSTICAL SEALANT & ATTENUATION BLANKETS | -           | -   | -       |
| G6F       | 6" MTL STUDS W/ 5/8" ABUSE RESISTANT GYP BD ON EACH SIDE W/ ACOUSTICAL SEALANT & ATTENUATION BLANKETS     | -           | -   | -       |
| G8F       | 8" MTL STUDS W/ 5/8" ABUSE RESISTANT GYP BD ON EACH SIDE W/ ACOUSTICAL SEALANT & ATTENUATION BLANKETS     | -           | -   | -       |

**GF PARTITION 'ACOUSTICAL WALL'**



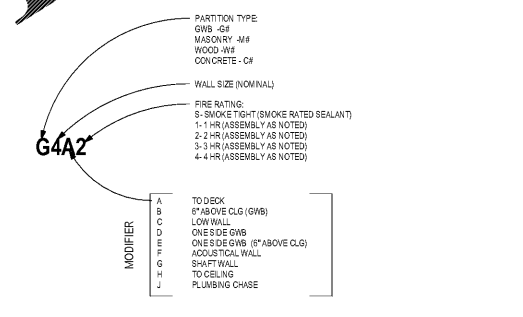
| WALL TYPE | DESCRIPTION  | FIRE RATING | STC | ULL NO. |
|-----------|--|-------------|-----|---------|
| G2G       | 2 1/2" MTL 'C-H' STUDS TO STRUCTURE WITH 1" WALL BD LINER PANEL & 2 LAYERS TYPE 'X' ABUSE RESISTANT GYP BD | -           | -   | -       |
| G4G       | 4" MTL 'C-H' STUDS TO STRUCTURE WITH 1" WALL BD LINER PANEL & 2 LAYERS TYPE 'X' ABUSE RESISTANT GYP BD     | -           | -   | -       |
| G6G       | 6" MTL 'C-H' STUDS TO STRUCTURE WITH 1" WALL BD LINER PANEL & 2 LAYERS TYPE 'X' ABUSE RESISTANT GYP BD     | -           | -   | -       |
| G8G       | 8" MTL 'C-H' STUDS TO STRUCTURE WITH 1" WALL BD LINER PANEL & 2 LAYERS TYPE 'X' ABUSE RESISTANT GYP BD     | -           | -   | -       |

**GG PARTITION 'C-H STUD/STRUCT' (SHAFT WALL)**

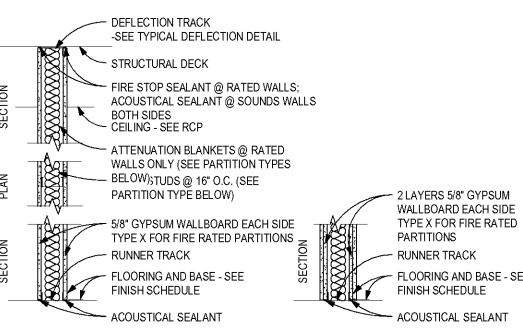


| WALL TYPE | DESCRIPTION   | FIRE RATING | STC | ULL NO. |
|-----------|---|-------------|-----|---------|
| G4H       | 3 5/8" MTL STUDS W/ 5/8" ABUSE RESISTANT GYP BD ON BOTH SIDES EXTENDING UP TO CEILING | -           | -   | -       |
| G6H       | 6" MTL STUDS W/ 5/8" ABUSE RESISTANT GYP BD ON BOTH SIDES EXTENDING UP TO CEILING     | -           | -   | -       |
| G8H       | 8" MTL STUDS W/ 5/8" ABUSE RESISTANT GYP BD ON BOTH SIDES EXTENDING UP TO CEILING     | -           | -   | -       |

**GH PARTITION 'STUD/CLG'**

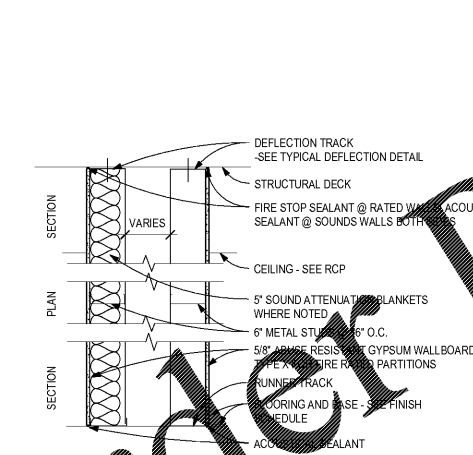


**MTL STUD PARTITION TYPE KEY**



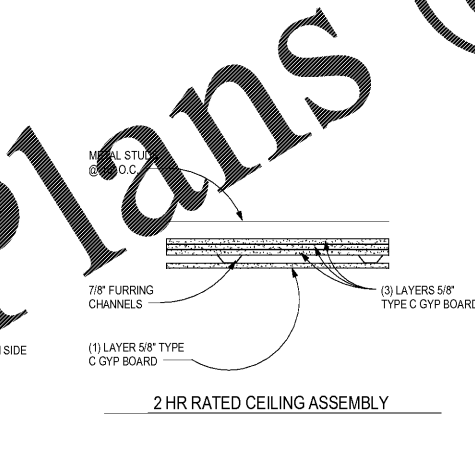
| WALL TYPE | DESCRIPTION  | FIRE RATING | STC   | ULL NO. |
|-----------|--|-------------|-------|---------|
| G2-S      | 2 1/2" MTL STUDS W/ 5/8" ABUSE RESISTANT GYP BD ON EACH SIDE W/ SMOKE RATED SEALANT                  | SMOKE       | -     | -       |
| G4-S      | 3 5/8" MTL STUDS W/ 5/8" ABUSE RESISTANT GYP BD ON EACH SIDE W/ SMOKE RATED SEALANT                  | SMOKE       | -     | -       |
| G6-S      | 6" MTL STUDS W/ 5/8" ABUSE RESISTANT GYP BD ON EACH SIDE W/ SMOKE RATED SEALANT                      | SMOKE       | -     | -       |
| G8-S      | 8" MTL STUDS W/ 5/8" ABUSE RESISTANT GYP BD ON EACH SIDE W/ SMOKE RATED SEALANT                      | SMOKE       | -     | -       |
| G4-1      | 3 5/8" MTL STUDS W/ 5/8" TYPE 'X' ABUSE RESISTANT GYP BD ON EACH SIDE W/ FIRE RATED SEALANT          | 1 HR        | U465  | -       |
| G6-1      | 6" MTL STUDS W/ 5/8" TYPE 'X' ABUSE RESISTANT GYP BD ON EACH SIDE W/ FIRE RATED SEALANT              | 1 HR        | 48-55 | U465    |
| G8-1      | 8" MTL STUDS W/ 5/8" TYPE 'X' ABUSE RESISTANT GYP BD ON EACH SIDE W/ FIRE RATED SEALANT              | 1 HR        | -     | U465    |
| G4-2      | 3 5/8" MTL STUDS W/ 2 LAYERS 5/8" TYPE 'X' ABUSE RESISTANT GYP BD ON EACH SIDE W/ FIRE RATED SEALANT | 2 HR        | -     | U411    |
| G6-2      | 6" MTL STUDS W/ 2 LAYERS 5/8" TYPE 'X' ABUSE RESISTANT GYP BD ON EACH SIDE W/ FIRE RATED SEALANT     | 2 HR        | -     | U411    |
| G8-2      | 8" MTL STUDS W/ 2 LAYERS 5/8" TYPE 'X' ABUSE RESISTANT GYP BD ON EACH SIDE W/ FIRE RATED SEALANT     | 2 HR        | -     | U411    |

**G PARTITION 'FIRE RATING'**  
(MODIFIER FOR TYPE IS MISSING IN ABOVE RATINGS; MAY BE APPLIED TO ANY PARTITION)



| WALL TYPE | DESCRIPTION  | FIRE RATING | STC | ULL NO. |
|-----------|--|-------------|-----|---------|
| G2J       | 2 ROWS TYPE 'G6D' W/ 5" SOUND ATTENUATION BLANKETS | -           | -   | -       |
| G4J       | 2 ROWS TYPE 'G8D' W/ FIRE RATED SEALANT            | SMOKE       | -   | -       |

**GJ PARTITION 'STUD CHASE'**



**2 HR RATED CEILING ASSEMBLY**

**CHAPMAN GRIFFIN LANIER SUSSENBACH ARCHITECTS**  
 400 Galleria Pkwy., Suite 100 Atlanta, Ga 30339 Phone: 404.733.5493  
 RIVERWOOD HIGH SCHOOL PHASE 3-B AUDITORIUM/GYMNASIUM ADDITION  
 5900 RAEBER DRIVE NW SANDY SPRINGS, GA 30328  
 FULTON COUNTY SCHOOLS RFP NO. 411-19

**STATE OF GEORGIA**  
 REGISTERED ARCHITECT  
 BRUCE SUSSENBACH  
 LICENSE NO. 10000

| DATE     | NO. | DESCRIPTION                              |
|----------|-----|--|
| 01/27/18 | G08 | PRELIMINARY SUBMITTAL DESIGN DEVELOPMENT |
| 01/19/18 | G07 | PRELIMINARY SUBMITTAL DESIGN DEVELOPMENT |
| 09/17/18 | G06 | CONSTRUCTION DOCUMENTS                   |
| 10/10/18 | G05 | CONSTRUCTION DOCUMENTS                   |
| 10/01/18 | G04 | FINAL G04 SUBMITTAL ISSUED FOR PROPOSAL  |

A-1.10