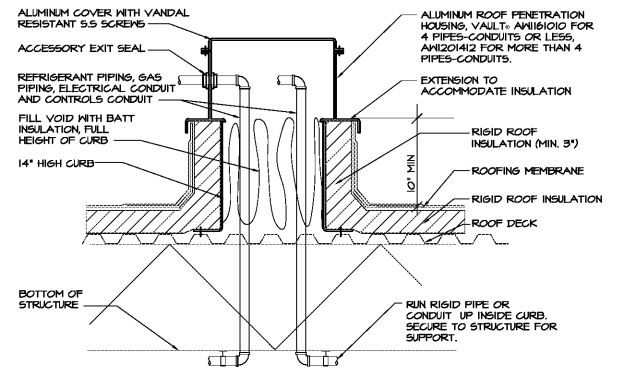
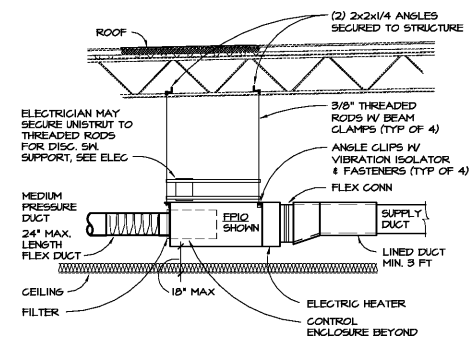


NOTE: FOR CURBS OVER 24\"/>

**9 ROOF CURB CAP DETAIL**  
 M2.1 NO SCALE

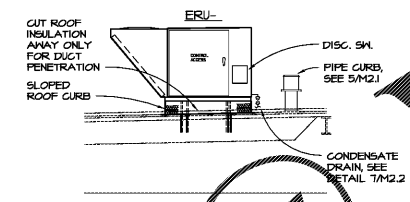


**5 PIPE CURB DETAIL**  
 M2.1 NO SCALE - SCHEMATIC ONLY

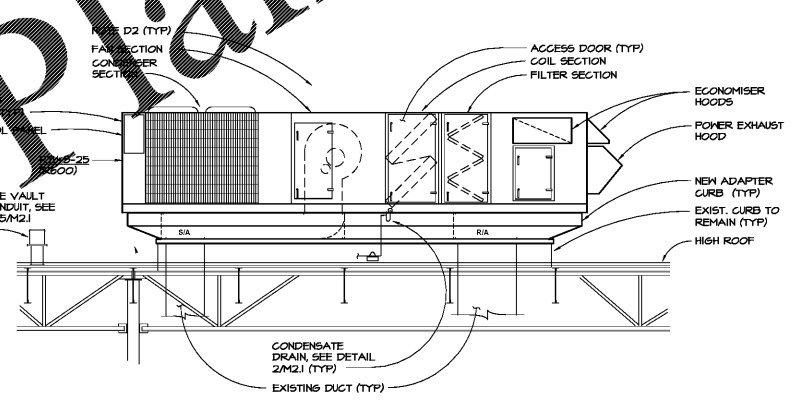


NOTE: KEEP SPRINKLER AND WATER PIPING AND CONDUIT MIN 30\"/>

**10 FAN POWERED BOX DETAIL**  
 M2.1 SCALE: 3/8\"/>

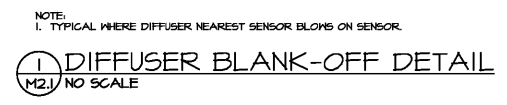


NOTE: INSTALLATION OF OTHER CURBS IS SIMILAR  
**12 SECTION A @ ERU**  
 M2.2 1/4\"/>

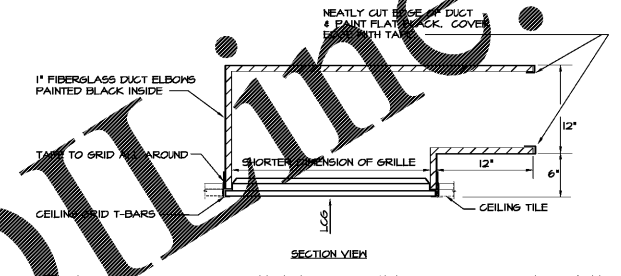


**13 SECTION @ R600**  
 M2.1 1/4\"/>

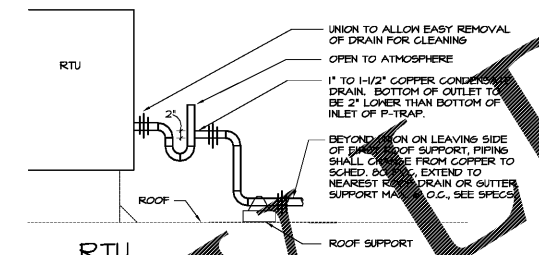
DRAWING ISSUE RECORD		
DATE:	REVISIONS:	NO.
10/30/18	BID SET	



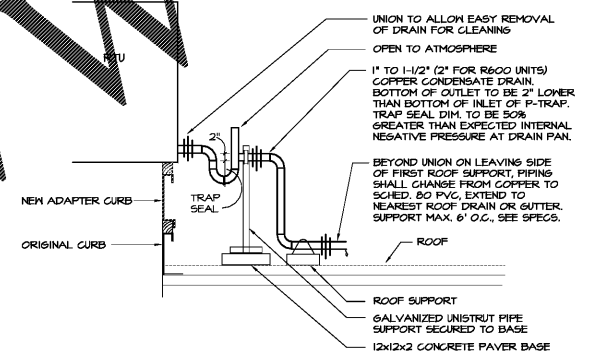
NOTE: 1. TYPICAL WHERE DIFFUSER NEAREST SENSOR BLOWS ON SENSOR.  
**11 DIFFUSER BLANK-OFF DETAIL**  
 M2.1 NO SCALE



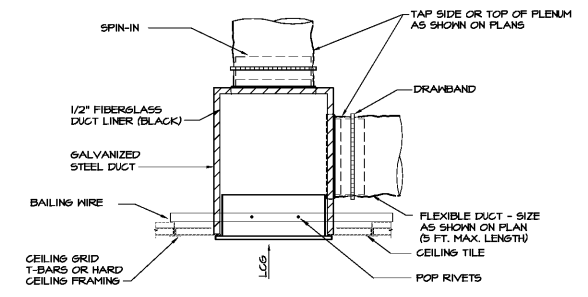
**13 R.A. GRILLE SOUNDTRAP DETAIL**  
 M2.1 NO SCALE



**6 CONDENSATE DRAIN DETAIL**  
 M2.2 NOT TO SCALE - SCHEMATIC ONLY

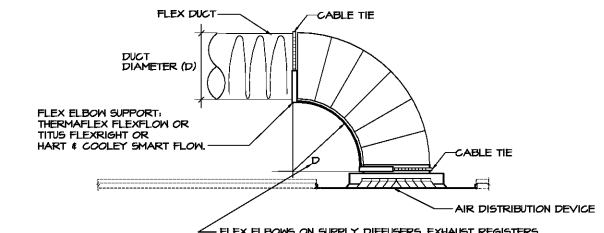


**7 CONDENSATE DRAIN DETAIL**  
 M2.1 NOT TO SCALE - SCHEMATIC ONLY

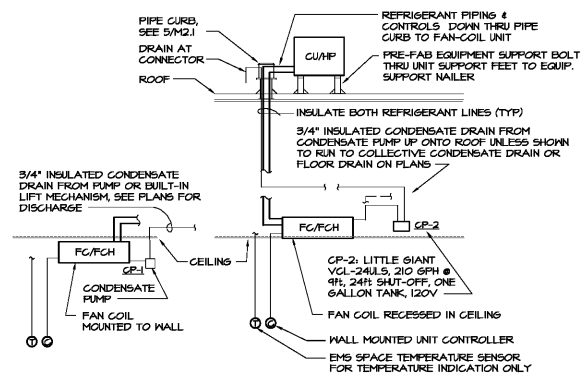


NOTE: CONTRACTOR MAY SUBSTITUTE 1\"/>

**3 CG, CG, CR PLENUM DETAIL**  
 M2.1 NO SCALE



FLEX ELBOWS ON SUPPLY DIFFUSERS, EXHAUST REGISTERS AND RETURN GRILLES SHALL BE INSTALLED WITH RADIUS EQUAL TO OR GREATER THAN THE DIAMETER OF DUCT. WHERE CONDITIONS CAUSE THE ELBOW RADIUS TO BE LESS THAN THE DUCT DIAMETER, INSTALL RADIUS BEND FLEX ELBOW SUPPORT.  
**4 DIFFUSER FLEX SUPPORT DETAIL**  
 M2.1 NO SCALE



**8 TYPICAL DUCTLESS SPLIT AIR CONDITIONING SYSTEMS**  
 M2.1 NO SCALE

HVAC REPLACEMENT FOR NORTH OCONEE HIGH SCHOOL  
 EC-108-0105  
 FOR THE OCONEE COUNTY BOARD OF EDUCATION  
 WATKINSVILLE, GEORGIA  
 DATE: 08/14/18  
 SHEET: 14 OF 18  
 PROJECT: 18-0000-18  
 DATE: SEPT 14, 2018  
 PHONE: 404-873-2152  
**cunningham forehand matthews moore**  
 cunningham, forehand, matthews & moore, architects, inc. - 2011 manchester street, n.e. - atlanta, georgia 30324 - phone (404) 873-2152  
**M2.1**

Order Plans @

