

PLUMBING LEGEND

SYMBOL	DESCRIPTION
---	SOIL OR WASTE ABOVE SLAB
---	SOIL OR WASTE PIPING BELOW SLAB OR GRADE
---	VENT PIPING
---	COLD WATER PIPING
---	HOT WATER PIPING
140°	140° HOT WATER PIPING
---	HOT WATER RECIRCULATING PIPING
RH	RAIN WATER ABOVE SLAB
ERM	EMERGENCY RAIN WATER ABOVE SLAB
RH	RAIN WATER BELOW SLAB OR GRADE
X-X-X	PIPING TO BE REMOVED
TP	SUPPLY PIPING TO TRAP PRIMER
A	AIR PIPING
OAO	OVERHEAD AIR OUTLET
OAO&O	OVERHEAD AIR AND WATER OUTLET
I-AO	AIR OUTLET
G	GAS PIPING ABOVE SLAB OR GRADE
G	GAS PIPING BELOW SLAB OR GRADE
HPG	HIGH PRESSURE GAS PIPING ABOVE SLAB OR GRADE
HPG	HIGH PRESSURE GAS PIPING BELOW SLAB OR GRADE
GP	GREASE WASTE PIPING ABOVE SLAB OR GRADE
GP	GREASE WASTE PIPING BELOW SLAB OR GRADE
AM	ACID WASTE PIPING ABOVE SLAB OR GRADE
AM	ACID WASTE PIPING BELOW SLAB OR GRADE
WA	WATER HAMMER ARRESTER, "A" INDICATES P.D.I. SIZE
BV	BALL VALVE
V	VALVE IN RISER
CV	CHECK VALVE
PRV	PRESSURE RELIEF VALVE
PRV	PRESSURE REDUCING VALVE
GC	GAS COCK
SV	SOLENOID VALVE
ECV	ENERGY CUT-OFF VALVE
BV	BALANCING VALVE
HB	HOSE BIBB - INSTALL 16" AFF AT LAVATORIES, 24" AFF IN SHOPS
WH	WALL HYDRANT - INSTALL 16" ABOVE FINISHED GRADE
FD	FLOOR DRAIN, "A" INDICATES TYPE
PT	P-TRAP
CG	CLEANOUT IN MALL - INSTALL 12" AFF MINIMUM
CG	CLEANOUT IN FLOOR SLAB OR FINISH GRADE
VTR	VENT THROUGH ROOF
PTU	PIPE TURNING UP
PTD	PIPE TURNING DOWN
TCS	TEE CONNECTION IN SIDE OF PIPE
TCT	TEE CONNECTION IN TOP OF PIPE
TCB	TEE CONNECTION IN BOTTOM OF PIPE
U	UNION
EC	END CAP
I	INCREASER
RD	ROOF DRAIN
ERD	EMERGENCY ROOF DRAIN
DS/DSDN	DOWN SPOUT / DOWN SPOUT NOZZLE
RVERH	RAIN WATER PIPING / EMERGENCY RAIN WATER PIPING
RLERL	RAIN LEADER / EMERGENCY RAIN LEADER
FDC	FIRE DEPARTMENT CONNECTION
F	FIRE LINE
FH	FIRE HYDRANT
AC	ABOVE CEILING
AF/AF	ABOVE FINISHED FLOOR / ABOVE FLOOR
INV./IE	INVERT ELEVATION
EXIST./EX	EXISTING
DN	DOWN
HC	HANDICAP
BF	BARRIER FREE
CO	CLEAN OUT
ECO	EXISTING CLEAN OUT
DCO	DROP CLEAN OUT
BFF/BF	BELOW FINISHED FLOOR / BELOW FLOOR
B/G	BELOW GRADE
FA	FRESH AIR
DST	DEEP SEAL TRAP
H	WASTE
SAN	SANITARY
V	VENT
NHW	HOT WATER
CW	COLD WATER
AM	ACID WASTE
AV	ACID VENT
AVTR	ACID VENT THRU ROOF
GW	GREASE WASTE
FA	FRESH AIR

SPRINKLER NOTES:

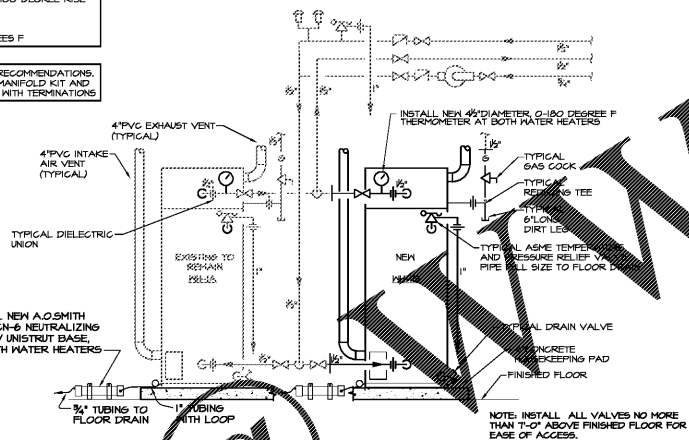
- CONTRACTOR SHALL EXTEND EXISTING SPRINKLER HEADS AS NECESSARY WHERE NEW CEILINGS ARE BEING INSTALLED. SEE ARCHITECTURAL/ELECTRICAL DRAWINGS FOR NEW CEILING LOCATIONS.
- CONTRACTOR SHALL RELOCATE SPRINKLER HEADS TO AVOID LIGHTING FIXTURES. SEE ARCHITECTURAL/ELECTRICAL DRAWINGS FOR REFLECTED CEILING PLANS. LOCATE SPRINKLER HEADS IN CENTER OR QUARTER POINTS OF 4X2 TILE. THIS NOTE APPLIES ALL AREAS OF THE BUILDING.
- CONTRACTOR SHALL OBTAIN COUNTY FIRE MARSHAL APPROVAL BEFORE MAKING MODIFICATIONS TO THE SPRINKLER SYSTEM. THIS MAY REQUIRE SPRINKLER SHOP DRAWINGS TO BE SUBMITTED. A PERMIT MUST BE OBTAINED BEFORE ANY SPRINKLER WORK IS INSTALLED.
- REMOVE SPRINKLER ESCUTCHEONS AND REINSTALL IN AREAS SHOWN TO HAVE NEW CEILINGS.



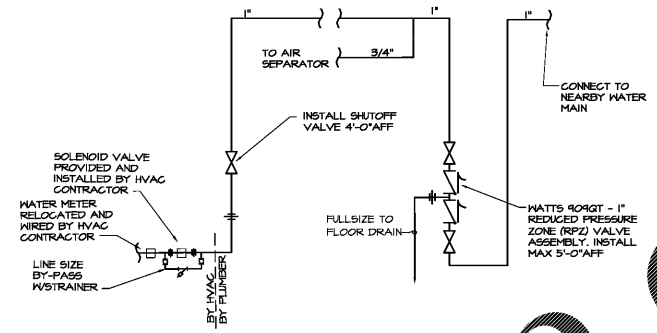
4 SPRINKLER ZONE DETAIL
P-2.11 NO SCALE - SCHEMATIC ONLY

A.O. SMITH 180LHRS GAS WATER HEATER
STORAGE: 100 GALLONS EACH
TOTAL STORAGE: 200 GALLONS
RECOVERY: 230 GPH @ 100 DEGREE RISE EACH
TOTAL RECOVERY: 460 GPH @ 100 DEGREE RISE
INPUT: 118,000 BTUH EACH
TOTAL INPUT: 236,000 BTUH
FUEL: NATURAL GAS
SET THERMOSTAT @ 140 DEGREES F

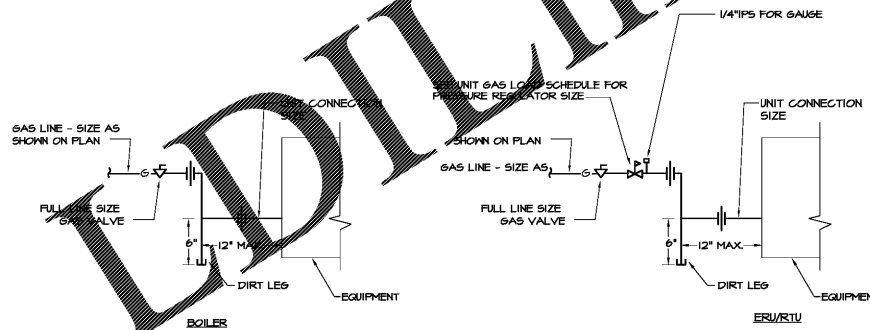
INSTALL PER MANUFACTURER'S RECOMMENDATIONS.
PROVIDE AN A.O. SMITH #18642 MANIFOLD KIT AND
A.O. SMITH DIRECT VENT SYSTEM WITH TERMINATIONS.



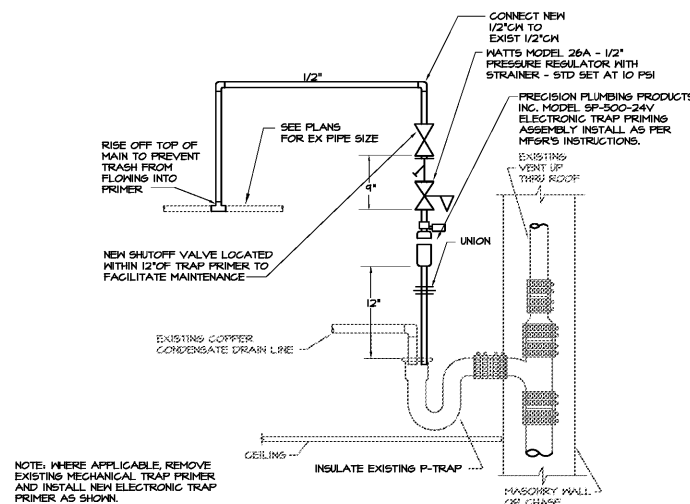
5 DOUBLE GAS WATER HEATER DETAIL
P-2.11 NO SCALE - SCHEMATIC ONLY



1 REDUCED PRESSURE ZONE DETAIL
P-2.11 NO SCALE - SCHEMATIC ONLY



2 TYPICAL GAS CONNECTION DETAIL
P-2.11 NO SCALE - SCHEMATIC ONLY



3 TYPICAL CONDENSATE P-TRAP WITH AUTOMATIC PRIMER
P-2.11 NO SCALE - SCHEMATIC ONLY

Order Plans

ARCHITECTS

REGISTERED PROFESSIONAL ARCHITECTS

OR CONSTRUCTION

SPURLOCK ASSOCIATES, INC.

2970 Clairmont Rd., Suite 620
Atlanta, GA 30329
P: 404.633.0245
F: 404.633.1756

REGISTERED PROFESSIONAL ENGINEER

GEORGIA

REGISTERED PROFESSIONAL ENGINEER

MARKET V. DILLON

DATE	NO.	DESCRIPTION
10/11/18		GEN. INVT. SUBMITTAL
10/29/18		ISSUE FOR BID

DATE: 10/11/18
NO.:
DESCRIPTION:

REGISTERED PROFESSIONAL ARCHITECTS

CHAPMAN GRIFFIN LANIER SUSSENBACH ARCHITECTS

5100 Peachtree Dunwoody Rd., Atlanta, Georgia 30328
Phone: 404.252.2522 Fax: 404.733.6804

FIVE FORKS MIDDLE SCHOOL
HVAC & ROOFING RENOVATIONS
FACILITY NO. 667-0279
3250 River Drive, Lawrenceville, GA 30044
GWINNETT COUNTY SCHOOL DISTRICT

SHEET TITLE

SCHEDULES AND DETAILS - PLUMBING

PROJECT NO. 18007.02

DATE OCTOBER 11, 2018

DRAWN BY: J.C.F.
CHECKED BY: M.W.D.

SHEET NO.

P-2.11