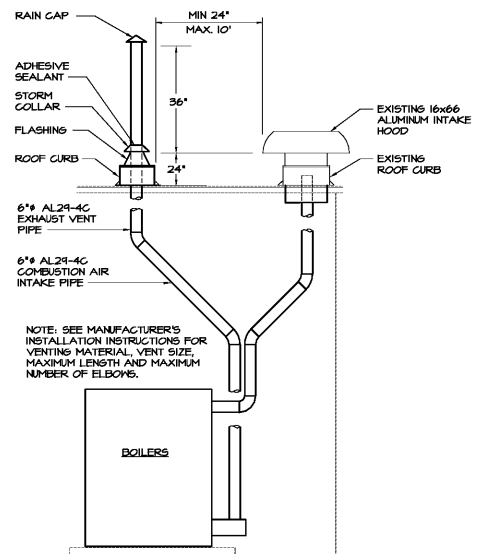
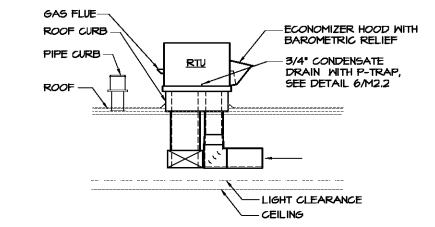


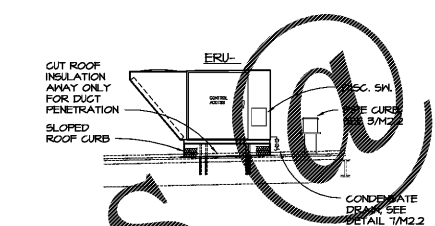
Order Plans @



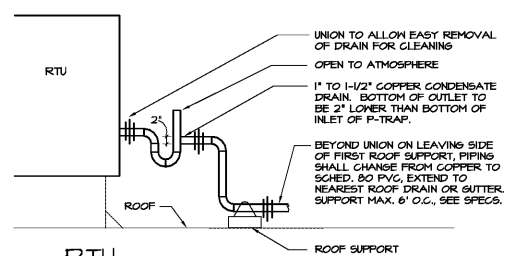
10 DIRECT VENT DETAIL
M2.2 NO SCALE



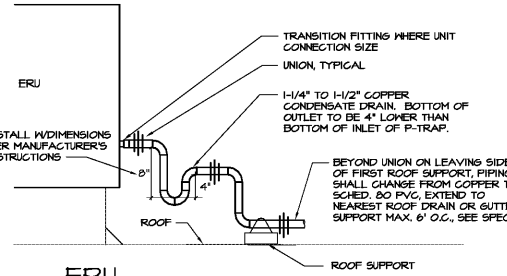
11 SECTION AT RTU
M2.2 1/4"=1'-0"



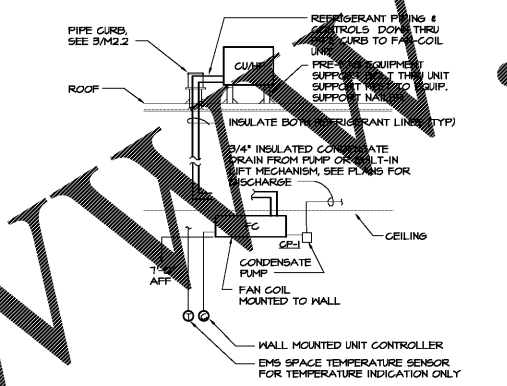
12 SECTION AT ERU
M2.2 1/4"=1'-0"



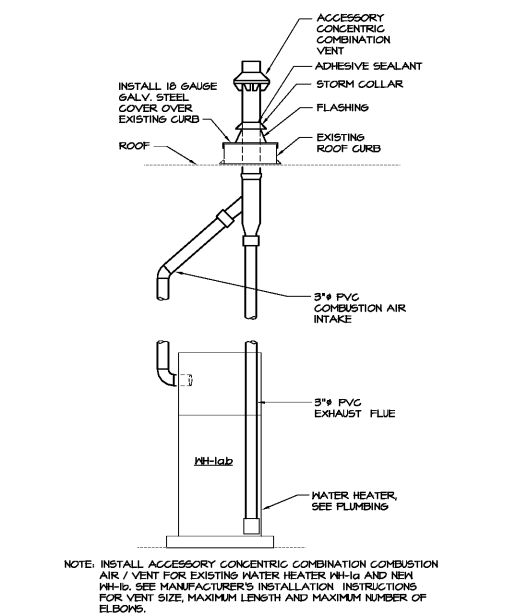
6 CONDENSATE DRAIN DETAIL
M2.2 NOT TO SCALE - SCHEMATIC ONLY



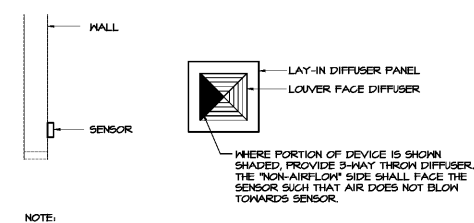
7 CONDENSATE DRAIN DETAIL
M2.2 NOT TO SCALE - SCHEMATIC ONLY



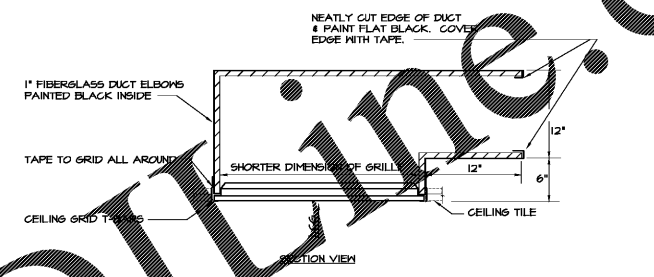
8 TYPICAL DUCTLESS SPLIT AIR CONDITIONING SYSTEMS
M2.2 NO SCALE



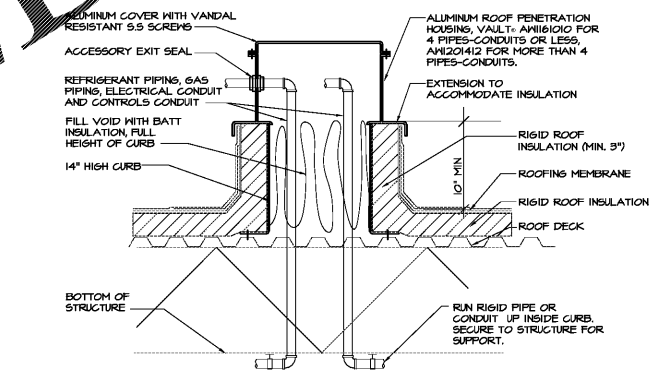
9 WH-1ab DIRECT VENT DETAIL
M2.2 NO SCALE - SCHEMATIC ONLY



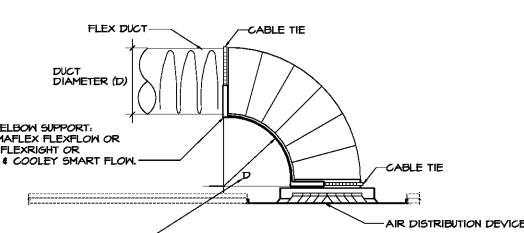
1 DIFFUSER BLANK-OFF DETAIL
M2.2 NO SCALE



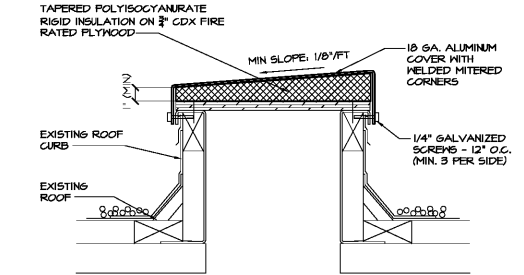
2 RETURN AIR GRILLE SOUNDTRAP DETAIL
M2.2 NO SCALE



3 PIPE CURB DETAIL
M2.2 NO SCALE



4 FLEX SUPPORT DETAIL
M2.2 NO SCALE



5 ROOF CURB CAP DETAIL
M2.2 NO SCALE

Architectural Facilitation Design

CGIS
COMMERCIAL GREENING INC.

2970 Clairmont Rd., Suite 620
Atlanta, GA 30329
P: 404.633.0245
F: 404.633.1756

RELEASED FOR CONSTRUCTION

SPURLOCK ASSOCIATES, INC.
CONSULTANT

2970 Clairmont Rd., Suite 620
Atlanta, GA 30329
P: 404.633.0245
F: 404.633.1756

REGISTERED PROFESSIONAL ENGINEER
No. 21584
MECHANICAL
STATE OF GEORGIA

DATE	NO.	DESCRIPTION
10/11/18		GOOD FINAL SUBMITTAL
10/28/18		ISSUE FOR BD

FIVE FORKS MIDDLE SCHOOL HVAC & ROOFING RENOVATIONS

3250 River Drive, Lawrenceville, GA 30044
FACILITY NO. 867-0279
GWINNETT COUNTY SCHOOL DISTRICT

CHAPMAN GRIFFIN LANIER SUSSENBACH ARCHITECTS
400 Collinsville
Suite 100 • Atlanta, Georgia 30339
Phone: 404.733.4499 Fax: 404.733.8804

PROJECT NO. 18007.02
DATE: OCTOBER 11, 2018
DRAWN BY: M.W.D.
CHECKED BY: M.W.D.

HVAC DETAILS

M2.2