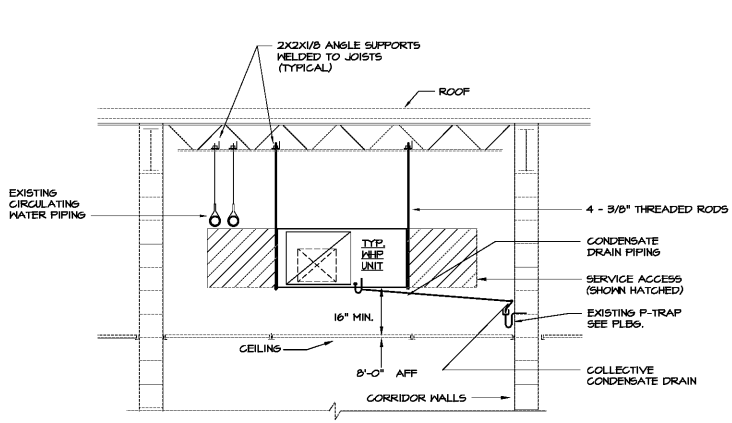
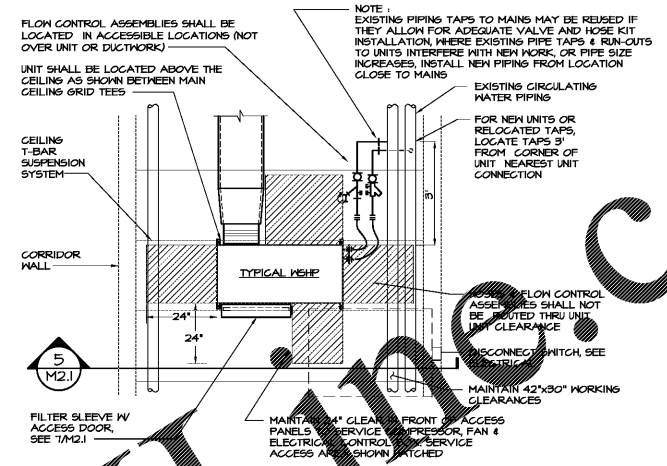


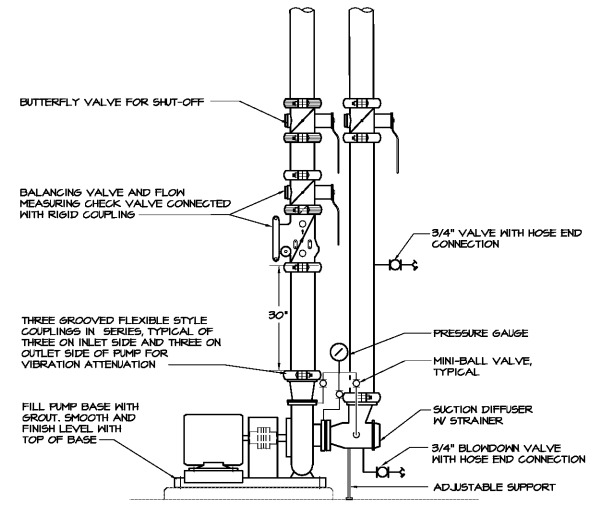
8 CONDENSATE P-TRAP DETAIL
M2.1/ NO SCALE



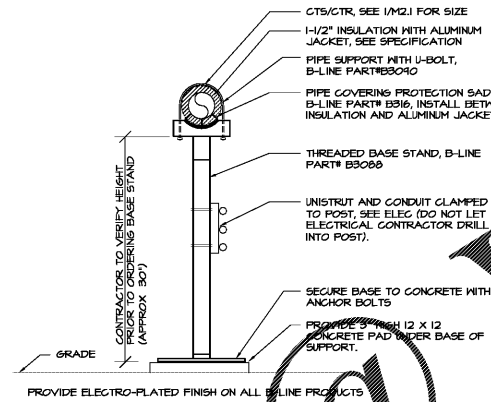
5 SECTION AT TYPICAL WATER SOURCE HEAT PUMP UNIT IN BLDG 4030/31
M2.1/ 1/2\"/>



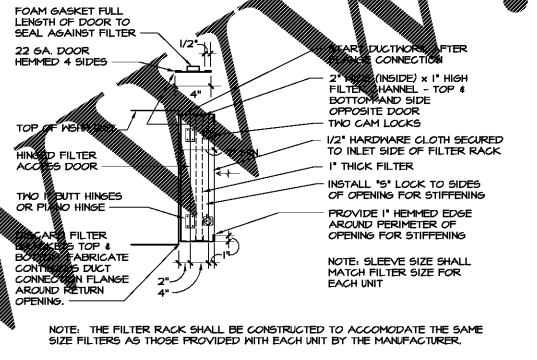
4 PARTIAL PLAN AT TYPICAL WATER SOURCE HEAT PUMP UNIT
M2.1/ 1/2\"/>



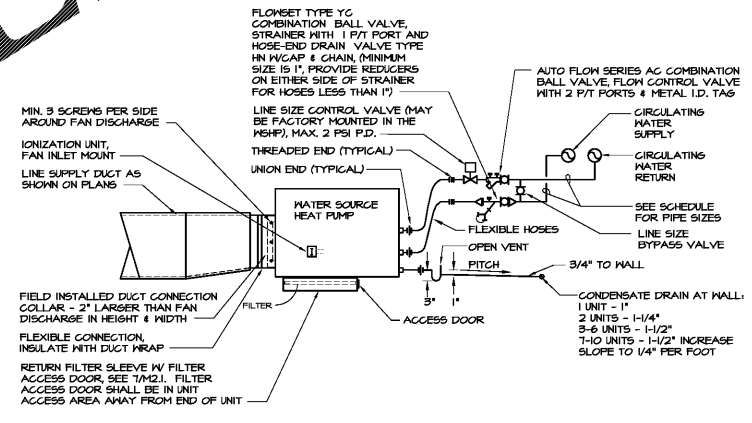
2 TYPICAL PUMP DETAIL
M2.1/ NO SCALE



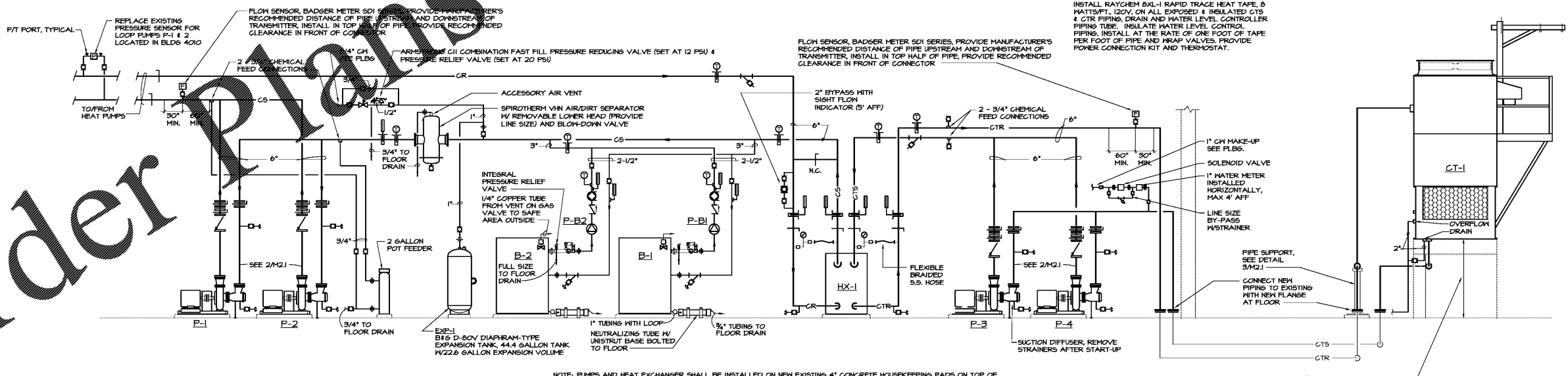
3 PIPE SUPPORT DETAIL
M2.1/ NO SCALE



7 FILTER SLEEVE / ACCESS DETAIL
M2.1/ 1\"/>



6 TYPICAL WATER SOURCE HEAT PUMP UNIT PIPING AND DUCT CONNECTION DETAIL
M2.1/ NO SCALE - SCHEMATIC ONLY



1 HEAT PUMP SYSTEM FLOW DIAGRAM
M2.1/ NO SCALE - SCHEMATIC ONLY

Order Plans

CHAPMAN GRIFFIN LANIER SUSSENBACH ARCHITECTS
 FACILITY NO. 667-0279
 3250 River Drive, Lawrenceville, GA 30044
 GWINNETT COUNTY SCHOOL DISTRICT

DATE	NO.	DESCRIPTION
10/11/18		GOOD FINAL SUBMITTAL
10/28/18		ISSUE FOR BD

**FIVE FORKS MIDDLE SCHOOL
 HVAC & ROOFING RENOVATIONS**

PROJECT NO. 18007.02
 DATE: OCTOBER 11, 2018
 DRAWN BY: M.W.D.
 CHECKED BY: M.W.D.

M2.1