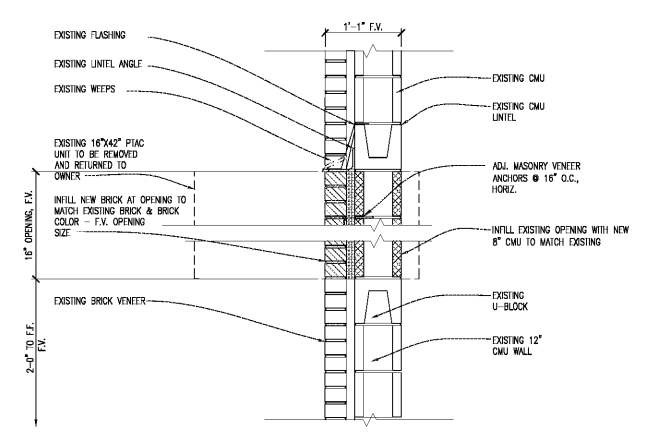


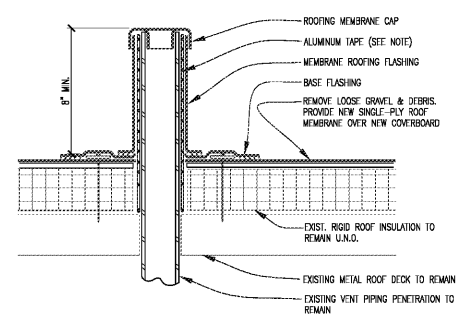
DATE	NO.	DESCRIPTION
10/11/16		COORD. FINAL SUBMITTAL
10/29/16		ISSUE FOR BID

**FIVE FORKS MIDDLE SCHOOL
HVAC & ROOFING RENOVATIONS**
FACILITY NO. 667-0279
3250 River Drive, Lawrenceville, GA 30044
GWINNETT COUNTY SCHOOL DISTRICT

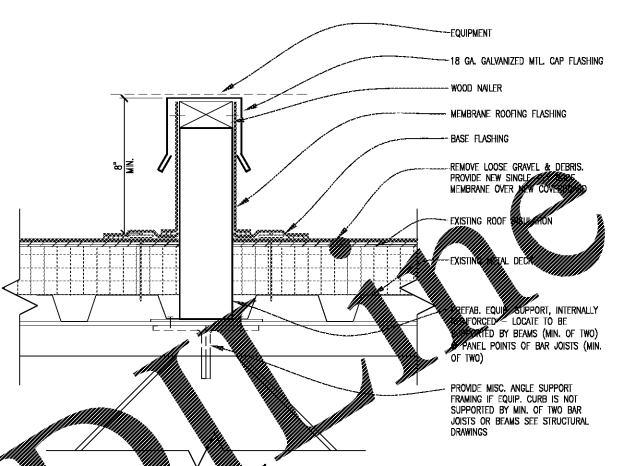
PROJECT NO. 16007.02
DATE OCTOBER 11, 2016
SHEET NO. A-4.12



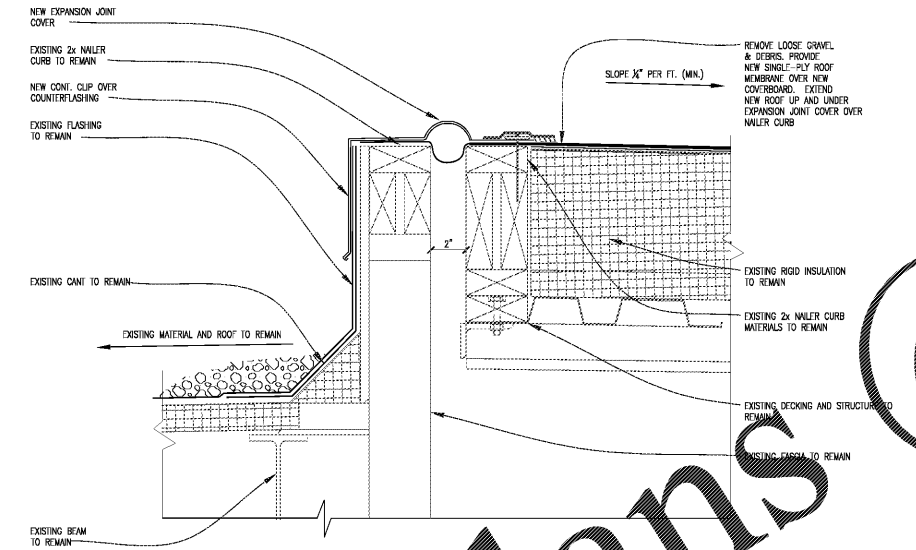
E1 WALL INFILL DETAIL
A-4.12 1'-0"



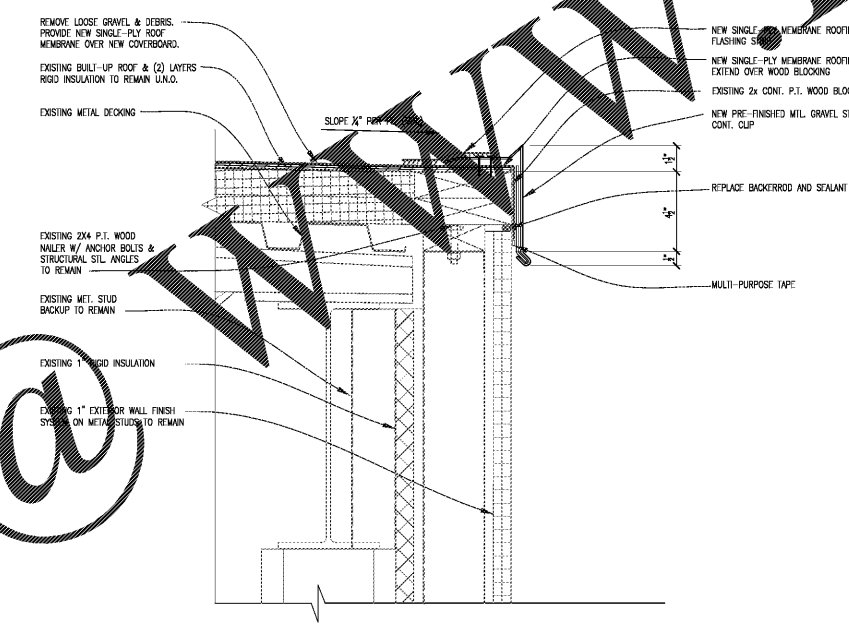
E4 DETAIL WASTE VENT TO REMAIN
A-4.12 1'-0"



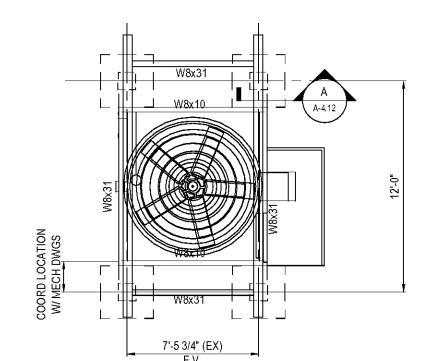
E8 DETAIL EQUIP SUPPORT
A-4.12 1'-0"



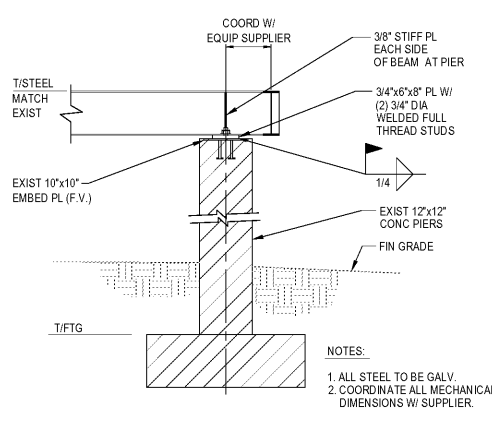
B1 ROOF EDGE JOINT DETAIL
A-4.12 1'-0"



B4 ROOF EDGE DETAIL
A-4.12 1'-0"



COOLING TOWER - STRUCTURAL STEEL PLAN
A-4.12



DETAIL A/A-4.12

STRUCTURAL STEEL

- STRUCTURAL STEEL SHALL CONFORM TO ASTM A992, UNLESS NOTED OTHERWISE.
 - STRUCTURAL STEEL TUBING SHALL CONFORM TO ASTM A500, GRADE B
 - STRUCTURAL CHANNELS, MISCELLANEOUS PLATES AND CONNECTION MATERIAL SHALL CONFORM TO ASTM A36, UNLESS NOTED OTHERWISE.
- BOLTS AND ANCHORS.
 - BOLTED CONNECTIONS SHALL BE TYPE N (BEARING TYPE WITH THREADS INCLUDED IN SHEAR PLANE) WITH MINIMUM 3/4" DIAMETER A325 BOLTS. SUBMIT PROPOSED BOLT TIGHTENING PROCEDURE FOR REVIEW.
- STRUCTURAL STEEL SHALL BE FABRICATED AND ERECTED ACCORDING TO BOTH THE AISC "SPECIFICATION FOR STRUCTURAL STEEL BUILDINGS" AND THE AISC "CODE OF STANDARD PRACTICE FOR STEEL BUILDINGS AND BRIDGES".
- SUBMIT SHOP DRAWINGS WHICH ADEQUATELY DEPICT THE STRUCTURAL ELEMENTS AND CONNECTIONS SHOWN IN THE CONTRACT DOCUMENTS. CONNECTIONS SHALL BE DETAILED BASED ON THE DESIGN INFORMATION PROVIDED IN THE CONTRACT DOCUMENTS. CONNECTIONS SHALL BE DESIGNED FOR THE SERVICE LOAD REACTION VALUES SHOWN ON THE STRUCTURAL DRAWINGS. FOR STEEL MEMBERS WHOSE REACTIONS ARE NOT SHOWN, THE DESIGN REACTION SHALL BE OBTAINED FROM THE TABLES ENTITLED "MAXIMUM TOTAL UNIFORM LOAD" IN PART 3 OF THE AISC "MANUAL OF STEEL CONSTRUCTION", FOURTEENTH (14TH) EDITION. THE DESIGN REACTION IS EQUAL TO HALF THE TABULATED VALUE FOR NONCOMPOSITE BEAMS AND EQUAL TO THE TABULATED VALUE FOR COMPOSITE BEAMS. DEVIATION FROM THE CONNECTION DETAILS DEPICTED IN THE CONTRACT DOCUMENTS SHALL NOT BE PERMITTED WITHOUT WRITTEN PERMISSION FROM THE DESIGN PROFESSIONAL. REVIEW DOES NOT RELIEVE THE CONTRACTOR OF THE FULL RESPONSIBILITY FOR THE DESIGN AND ADEQUACY OF SUCH CONNECTIONS. DESIGN PROFESSIONAL SHALL BE COMPENSATED BY THE CONTRACTOR FOR THE COST INVOLVED IN THE REDESIGN OF CONNECTIONS FOR THE CONVENIENCE OF THE CONTRACTOR. SINGLE ANGLE CONNECTIONS ARE NOT ACCEPTABLE.
- STRUCTURAL STEEL EXPOSED TO WEATHER SHALL BE GALVANIZED.
- USE PRE-QUALIFIED WELDED JOINTS IN ACCORDANCE WITH AISC AND THE STRUCTURAL WELDING CODE OF THE AMERICAN WELDING SOCIETY. ALL STRUCTURAL WELDED JOINTS SHALL CONFORM TO THE PROVISIONS OF AWS D1.1-10. STRUCTURAL WELDING CODE BY AMERICAN WELDING SOCIETY. PROOF OF WELDER CERTIFICATION SHALL BE AVAILABLE AT THE JOB SITE DURING TIMES OF INSPECTION.

Order Plans @

WWW.LDLINE.COM