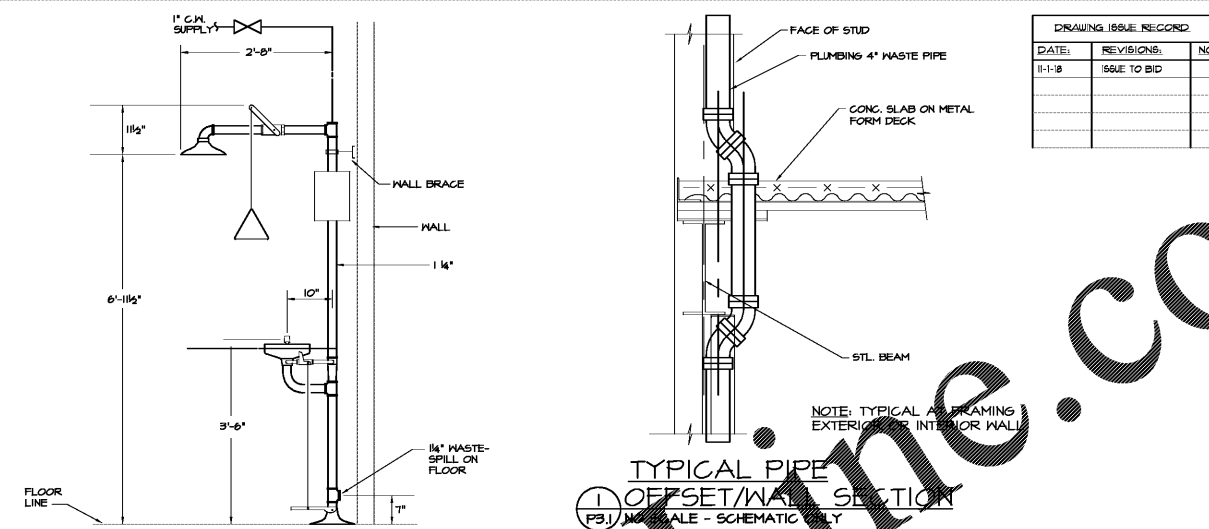
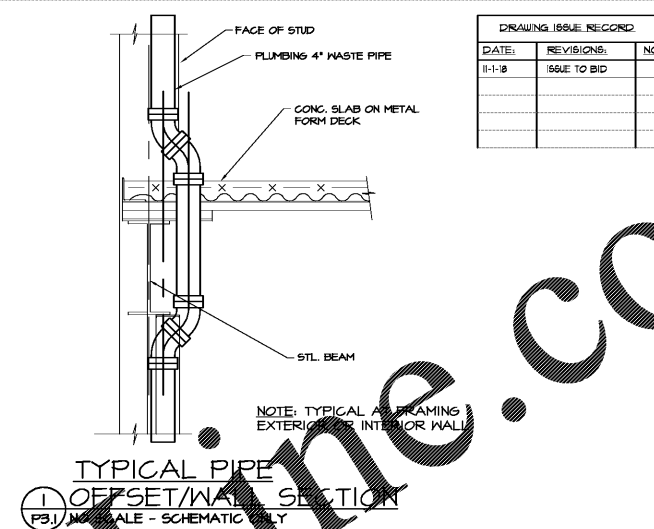


PLUMBING LEGEND	
SYMBOL	DESCRIPTION
---	SOIL OR WASTE ABOVE SLAB
---	SOIL OR WASTE PIPING BELOW SLAB OR GRADE
---	VENT PIPING
---	COLD WATER PIPING
---	HOT WATER PIPING
140°	140° HOT WATER PIPING
---	HOT WATER RECIRCULATING PIPING
---	RAIN WATER ABOVE SLAB
---	EMERGENCY RAIN WATER ABOVE SLAB
---	RAIN WATER BELOW SLAB OR GRADE
-x-x-x-	PIPINGS TO BE REMOVED
TP	SUPPLY PIPING TO TRAP PRIMER
A	AIR PIPING
GAO	OVERHEAD AIR OUTLET
GAHO	OVERHEAD AIR AND WATER OUTLET
IAO	AIR OUTLET
G	GAS PIPING ABOVE SLAB OR GRADE
G	GAS PIPING BELOW SLAB OR GRADE
HPG	HIGH PRESSURE GAS PIPING ABOVE SLAB OR GRADE
HPG	HIGH PRESSURE GAS PIPING BELOW SLAB OR GRADE
GH	GREASE WASTE PIPING ABOVE SLAB OR GRADE
GH	GREASE WASTE PIPING BELOW SLAB OR GRADE
AH	ACID WASTE PIPING ABOVE SLAB OR GRADE
AH	ACID WASTE PIPING BELOW SLAB OR GRADE
QA	WATER HAMMER ARRESTER, 'A' INDICATES P.D.I. SIZE
DA	GATE VALVE OR BALL VALVE
VA	VALVE IN RISER
CV	CHECK VALVE
PRV	PRESSURE RELIEF VALVE
PRV	PRESSURE REDUCING VALVE
GC	GAS COCK
SV	SOLENOID VALVE
CV	ENERGY CUT-OFF VALVE
BV	BALANCING VALVE
HB	HOSE BIB - INSTALL 16" AFF AT LAVATORIES, 24" AFF IN SHOPS
HH	HALL HYDRANT - INSTALL 16" ABOVE FINISHED GRADE
FD	FLOOR DRAIN, 'A' INDICATES TYPE
P	P-TRAP
CO	CLEANOUT IN HALL - INSTALL 12" AFF MINIMUM
CO	CLEANOUT IN FLOOR SLAB OR FINISH GRADE
VTR	VENT THROUGH ROOF
U	PIPE TURNING UP
D	PIPE TURNING DOWN
T	TEE CONNECTION IN SIDE OF PIPE
T	TEE CONNECTION IN TOP OF PIPE
T	TEE CONNECTION IN BOTTOM OF PIPE
U	UNION
EC	END CAP
IR	INCREASER
RD	ROOF DRAIN
ERD	EMERGENCY ROOF DRAIN
DS/UDSN	DOWN SPOUT / DOWN SPOUT NOZZLE
RWRN	RAIN WATER PIPING / EMERGENCY RAIN WATER PIPING
RRLR	RAIN LEADER / EMERGENCY RAIN LEADER
FDG	FIRE DEPARTMENT CONNECTION
F	FIRE LINE
FD	FIRE HYDRANT
AC	ABOVE CEILING
AF/AF	ABOVE FINISHED FLOOR / ABOVE FLOOR
INV. / I.E.	INVERT ELEVATION
EXIST. / EX.	EXISTING
DN	DOWN
HC	HANDICAP
BF	BARRIER FREE
CO	CLEAN OUT
ECO	EXISTING CLEAN OUT
DCO	DROP CLEAN OUT
BFF / B/F	BELOW FINISHED FLOOR / BELOW FLOOR
B/G	BELOW GRADE
FA	FRESH AIR
DST	DEEP SEAL TRAP
W	WASTE
SAN	SANITARY
V	VENT
H/W	HOT WATER
C/W	COLD WATER
AH	ACID WASTE
AV	ACID VENT
AVTR	ACID VENT THRU ROOF
GH	GREASE WASTE
FA	FRESH AIR

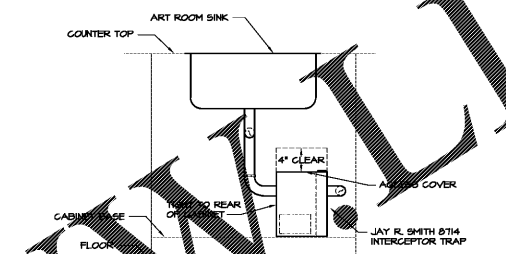
FIXTURE CONNECTION SCHEDULE						
DESIG.	FIXTURE	COLD WATER		HOT WATER		MOUNTING HEIGHT TO RIM
		BRANCH STUB-OUT	FIXTURE SUPPLY	BRANCH STUB-OUT	FIXTURE SUPPLY	
P-1	WATER CLOSET	1"	1"	---	---	4"
P-1a	WATER CLOSET (BF)	1"	1"	---	---	4"
P-1b	WATER CLOSET (CHILDS-BF)	1"	1"	---	---	4"
P-1c	WATER CLOSET (MH)	1"	1"	---	---	14"
P-1d	WATER CLOSET (MH-BF)	1"	1"	---	---	18"
P-1e	WATER CLOSET (MH-CHILDS-BF)	1"	1"	---	---	14"
P-2	LAVATORY	1/2"	3/8"	1/2"	3/8"	1-1/4"
P-2a	LAVATORY (BF)	1/2"	3/8"	1/2"	3/8"	1-1/4"
P-2b	LAVATORY (STUDENT)	1/2"	3/8"	---	---	1-1/4"
P-2c	LAVATORY (STUDENT)	1/2"	3/8"	1/2"	3/8"	1-1/4"
P-2d	LAVATORY (STUDENT)	1/2"	3/8"	1/2"	3/8"	1-1/4"
P-2e	LAVATORY - KITCHEN HAND WASH	1/2"	3/8"	1/2"	3/8"	1-1/4"
P-2f	LAVATORY - KITCHEN HAND WASH	1/2"	3/8"	1/2"	3/8"	1-1/4"
P-3	URINAL	3/4"	3/4"	---	---	2"
P-3a	URINAL (BF)	3/4"	3/4"	---	---	2"
P-4	MOP BASIN	1/2"	1/2"	1/2"	1/2"	3"
P-5	ELEC. WATER COOLER	1/2"	3/8"	---	---	1-1/4"
P-5a	ELEC. WATER COOLER (BF)	1/2"	3/8"	---	---	1-1/4"
P-5b	ELEC. WATER COOLER (CHILDS-BF)	1/2"	3/8"	---	---	1-1/4"
P-5c	ELEC. WATER COOLER (BF BOTTLE FILL)	1/2"	3/8"	---	---	1-1/4"
P-6	SINK, WORKROOM	1/2"	3/8"	1/2"	3/8"	1-1/2"
P-6a	SINK, ART ROOM	1/2"	3/8"	1/2"	3/8"	1-1/2"
P-6b	SINK, CLASSROOM	1/2"	3/8"	---	---	1-1/2"
P-6c	SINK, CLINIC	1/2"	3/8"	1/2"	3/8"	1-1/2"
P-6d	SINK, SPECIAL ED	1/2"	3/8"	1/2"	3/8"	1-1/2"
P-7	EYEWASH/SHOWER (MECH ROOM)	1"	1"	---	---	---
P-8	WORK SINK	1/2"	1/2"	1/2"	1/2"	2"
P-4	VEGETABLE SINK	1/2"	1/2"	1/2"	1/2"	2 @ 2"
P-10	POT SINK	2 @ 3/4"	2 @ 3/4"	2 @ 3/4"	2 @ 3/4"	4 @ 2"
P-11	CAN WASH	3/4"	3/4"	3/4"	3/4"	---
P-12	DISHWASHER	---	---	1"	1"	3"
P-13	HOSE REEL	1/2"	1/2"	1/2"	1/2"	54"
P-14	ICE MAKER BOX	1/2"	3/8"	---	---	24"
P-15	MASHER CONNECTION	1/2"	1/2"	1/2"	1/2"	2"
P-16	DISHWASHER (RESIDENTIAL)	---	---	1/2"	1/2"	1-1/2"
P-17	POT FILLER	1/2"	1/2"	1/2"	1/2"	---
P-18	WATER STANCHION	1/2"	1/2"	1/2"	1/2"	---
①	ROUGH-IN WATER AT 20" AFF TO CLEAR GRABBAR.	---	---	---	---	---



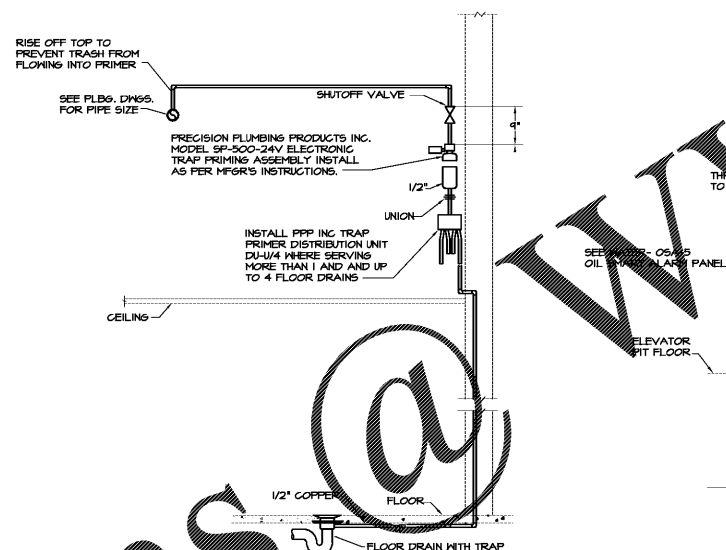
MECHANICAL ROOM EYEWASH/  
EMERGENCY SHOWER DETAIL  
PS.1 NO SCALE - SCHEMATIC ONLY



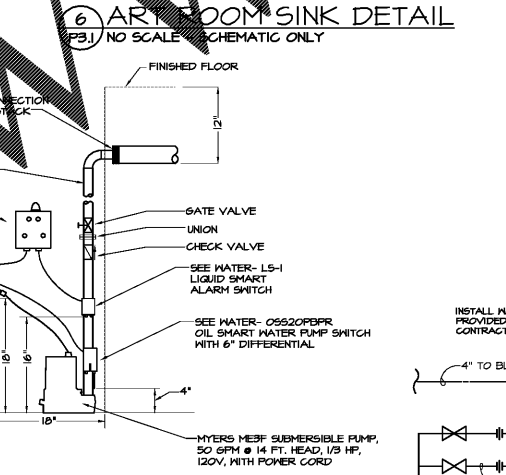
TYPICAL WATER RISER  
DETAIL FOR TOILET CHASES  
PS.1 NO SCALE - SCHEMATIC ONLY



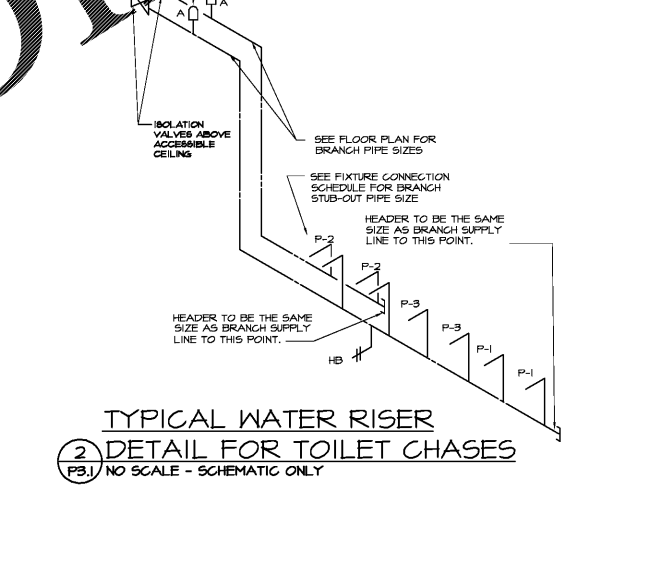
ART ROOM SINK DETAIL  
PS.1 NO SCALE - SCHEMATIC ONLY



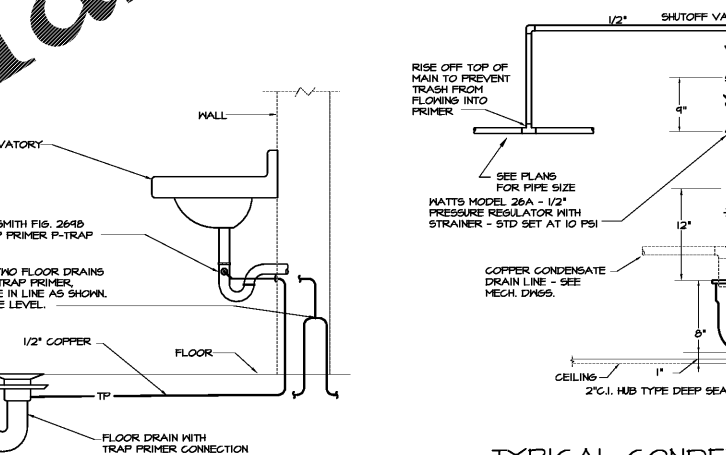
TRAP PRIMER DETAIL  
PS.2 NO SCALE - SCHEMATIC ONLY



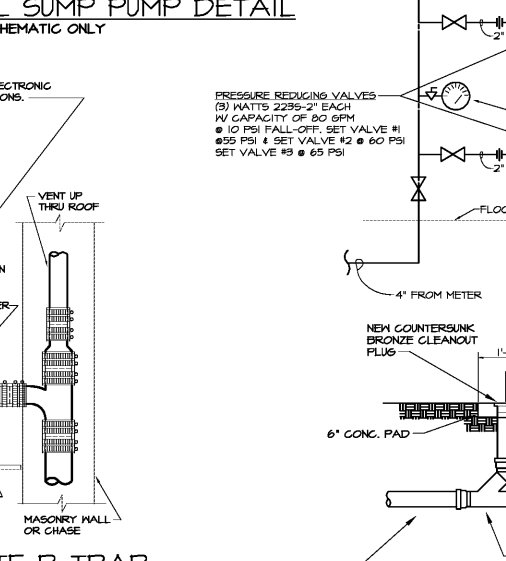
TYPICAL SUMP PUMP DETAIL  
PS.1 NO SCALE - SCHEMATIC ONLY



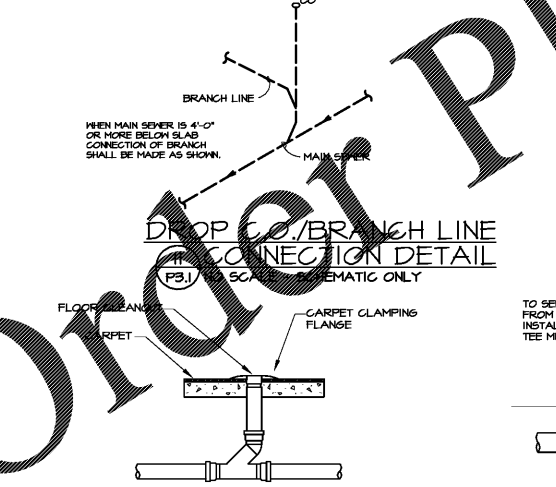
WATER RISER DETAIL  
PS.1 NO SCALE - SCHEMATIC ONLY



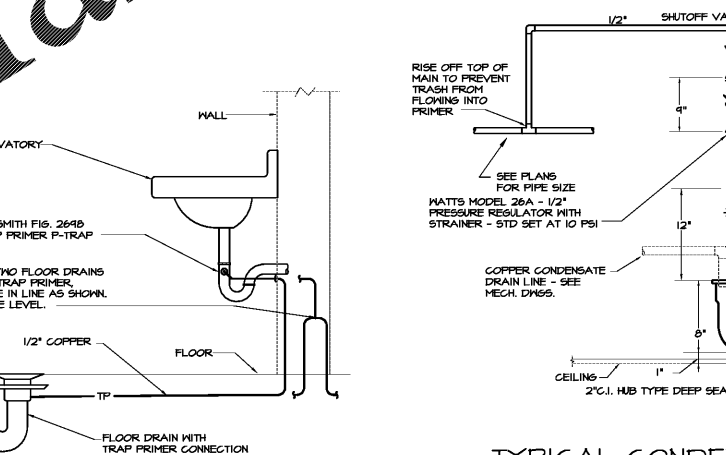
TYPICAL CONDENSATE P-TRAP  
WITH AUTOMATIC PRIMER  
PS.1 NO SCALE - SCHEMATIC ONLY



EXTERIOR CLEANOUT DETAIL  
PS.1 NO SCALE - SCHEMATIC ONLY



CARPET CLEANOUT DETAIL  
PS.1 NO SCALE - SCHEMATIC ONLY



TRAP PRIMER DETAIL  
PS.1 NO SCALE - SCHEMATIC ONLY

**HARMONY LELAND-CITY SCHOOL**  
REPLACEMENT ELEMENTARY SCHOOL

6326 FACTORY SQUARE DR., NW  
MABLETON, GA 30126  
FOR COBB COUNTY SCHOOL DISTRICT  
COBB COUNTY, GA  
CCSD PROJECT NO. A004 / DDE FACILITY CODE

DATE: JULY 16, 2019  
JOB NO. B-1-1-2019-B  
DRAWN BY: J.C.F.  
CHECKED BY: M.W.D.

atlantamathews.com

cunningham, forehand, matthews & moore, architects, inc. - 2011 manchester street, n.e. - atlanta, georgia 30324 - phone (404) 873-2152

**SPURLOCK & ASSOCIATES, INC.**  
consulting engineers  
2970 Clairmont Rd., Suite 620 | Atlanta, GA 30329  
P: 404.633.0245 | F: 404.633.1756  
JOB NO. 882

**P3.1**