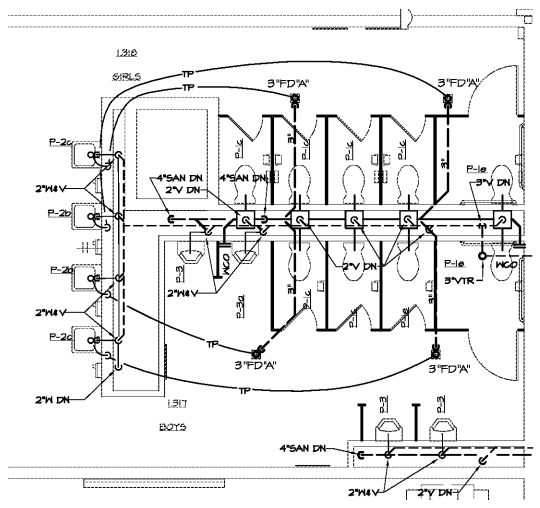
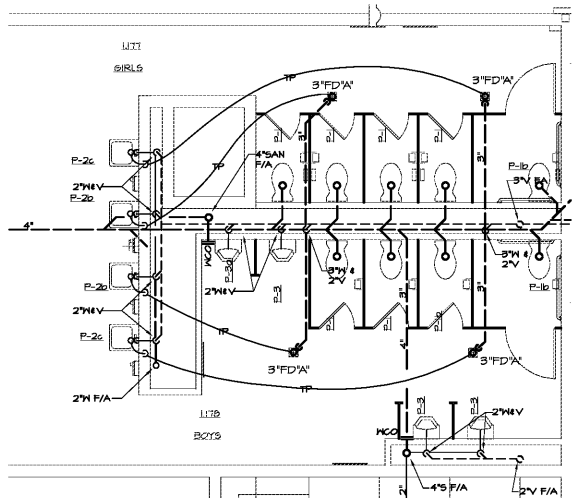


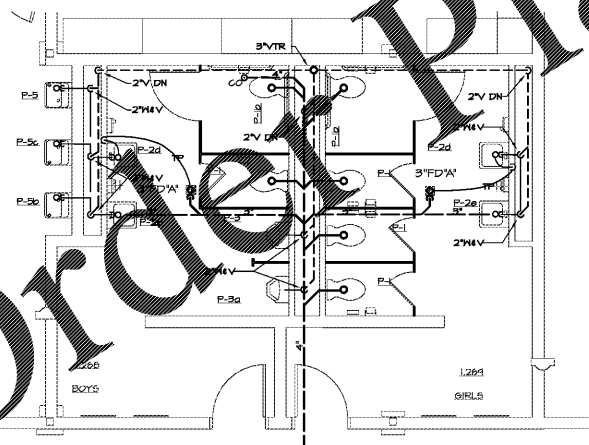
DRAWING ISSUE RECORD		
DATE:	REVISIONS:	NO.
1-1-18	ISSUE TO B'D	



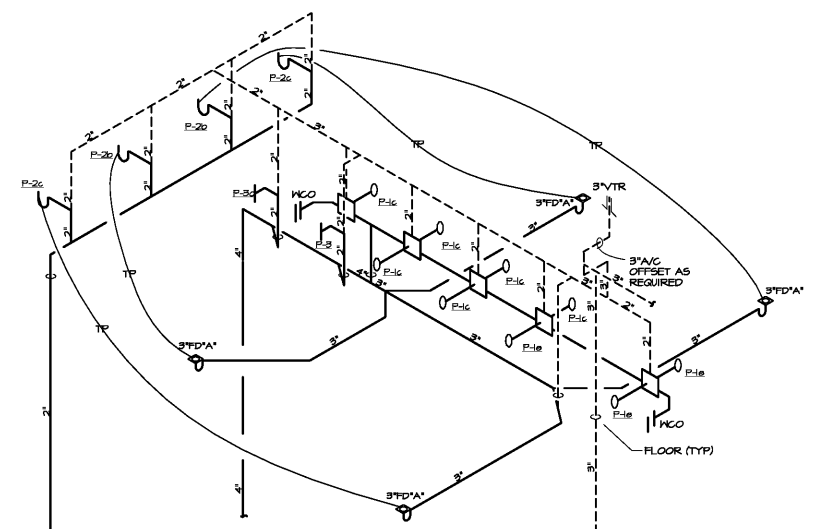
1 S.W. & V PLAN  
P2.2 SCALE: 1/4"=1'-0"



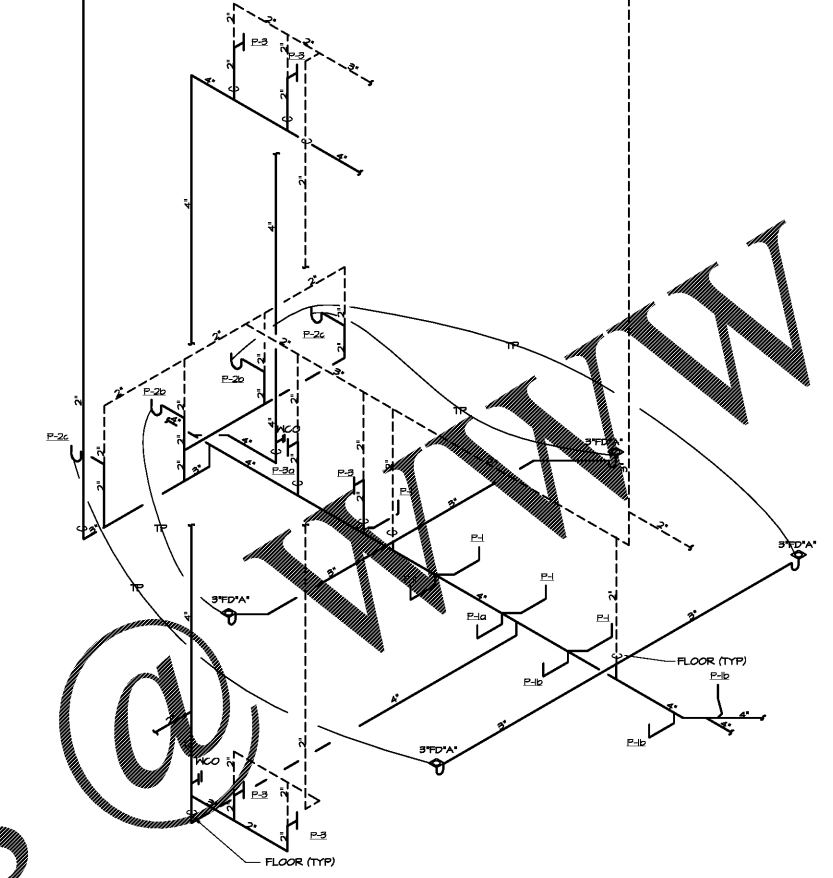
2 S.W. & V PLAN  
P2.2 SCALE: 1/4"=1'-0"



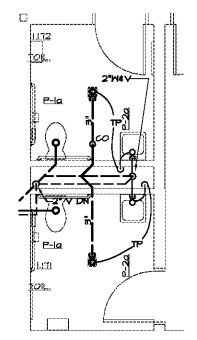
4 S.W. & V PLAN  
P2.2 SCALE: 1/4"=1'-0"



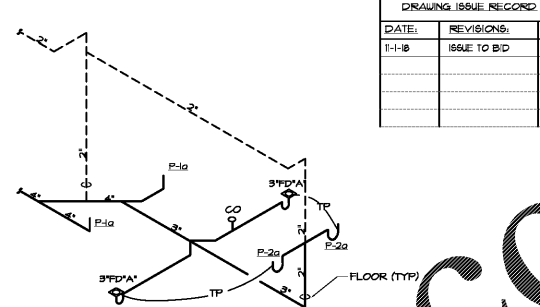
3 S. W. & V RISER  
P2.2 NO SCALE; SCHEMATIC ONLY



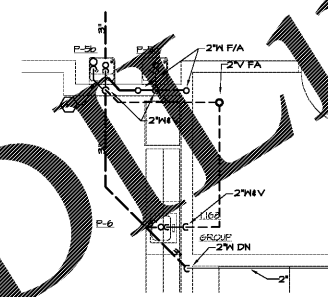
5 S. W. & V RISER  
P2.2 NO SCALE; SCHEMATIC ONLY



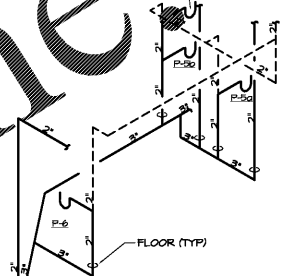
6 S.W. & V PLAN  
P2.2 SCALE: 1/4"=1'-0"



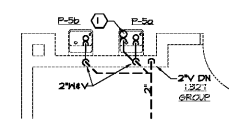
7 S. W. & V RISER  
P2.2 NO SCALE; SCHEMATIC ONLY



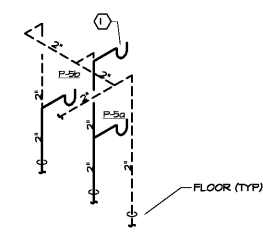
8 S.W. & V PLAN  
P2.2 SCALE: 1/4"=1'-0"



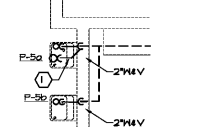
9 S. W. & V RISER  
P2.2 NO SCALE; SCHEMATIC ONLY



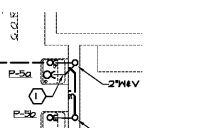
10 S.W. & V PLAN  
P2.2 SCALE: 1/4"=1'-0"



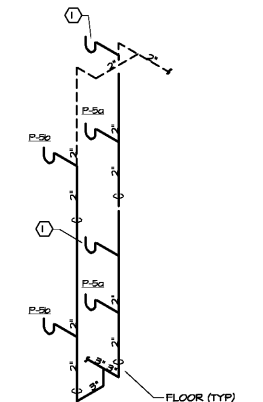
11 S. W. & V RISER  
P2.2 NO SCALE; SCHEMATIC ONLY



12 S.W. & V PLAN  
P2.2 SCALE: 1/4"=1'-0"



13 S.W. & V PLAN  
P2.2 SCALE: 1/4"=1'-0"



14 S. W. & V RISER  
P2.2 NO SCALE; SCHEMATIC ONLY

Order Plans

WWW.LDOnline.com

HARMONY LELAND-CIT SCHOOL  
REPLACEMENT ELEMENTARY SCHOOL  
65216 FACTORY SCHOOLS RD., NW  
MABLETON, GA 30126  
FOR COBB COUNTY SCHOOL DISTRICT  
COBB COUNTY, GA  
CCSD PROJECT NO. ADD / BDE FACILITY CODE  
JOB NO. B-L-2017-18  
DATE JULY 16, 2018  
DWG. BY J.C.F.

cunningham foehandmatthewsmoore  
cunningham, foehand, matthews & moore, architects, inc. - 2011 manchester street, n.e. - atlanta, georgia 30324 - phone (404) 873-2152

