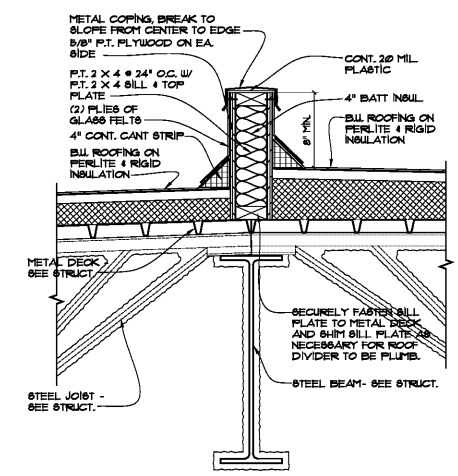


DRAWING ISSUE RECORD		
DATE	REVISIONS	NO.
11-1-18	ISSUE TO BID	

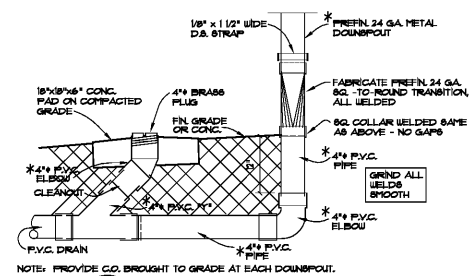
HARMONY LELAND-COOPER
REPLACEMENT ELEMENTARY SCHOOL
63246 FACTORY SHOALS DRIVE
HABLETON, GA 30226
FOR COBB COUNTY SCHOOL DISTRICT
CROSSING COUNTY SCHOOL DISTRICT
CCSD PROJECT NO. 18094 / COE FACILITY CODE #189

DATE: JUL 16, 2018
JOB NO. SHL-1501-18
DRAWN BY: AK
CUNNINGHAM, FOREHAND, MATTHEWS & MOORE, ARCHITECTS, INC. - 2011 MANCHESTER STREET, N.E. - ATLANTA, GEORGIA 30324 - PHONE (404) 873-2152

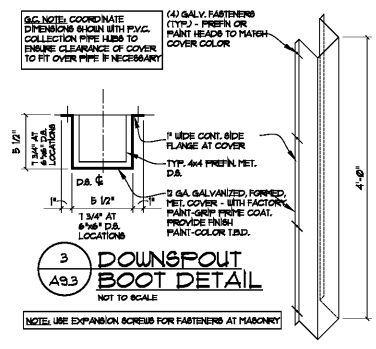
cunningham forehand matthews moore



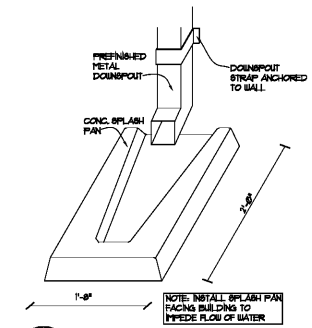
1 TYPICAL ROOF DIVIDER CURB DET.
A9.3 1 1/2" x 7-8"



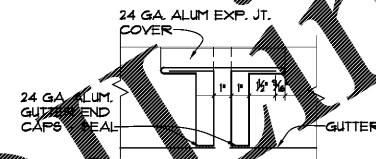
2 TYPICAL DOWNSPOUT COLLECTION DETAIL
A9.3 1 1/2" x 7-8"



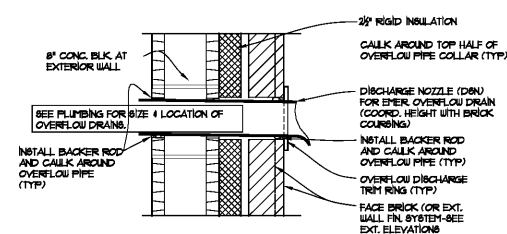
3 DOWNSPOUT BOOT DETAIL
A9.3 NOT TO SCALE



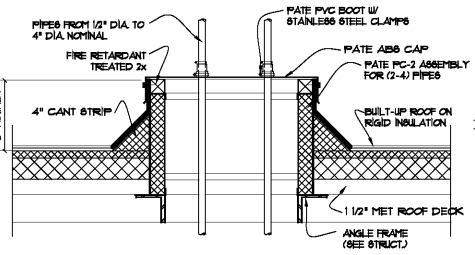
4 TYP. SPLASH PAN DET. FOR ROOF DOWNSPOUTS
A9.3 SCALE: NOT TO SCALE



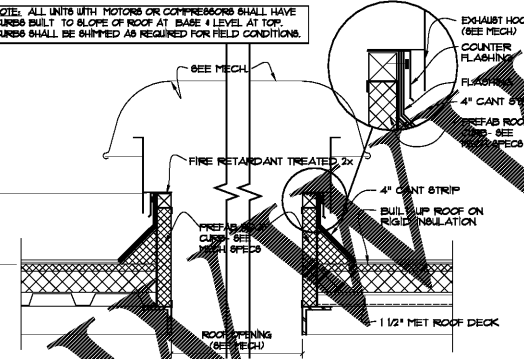
5 SECTION THRU TYP. GUTTER X-JT
A9.3



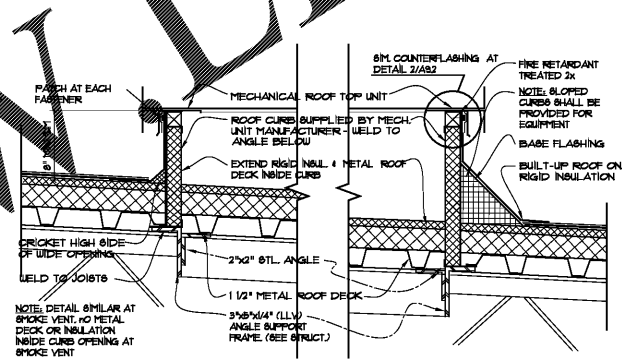
6 OVERFLOW DRAIN DISCHARGE DET.
A9.3 1 1/2" x 7-8"



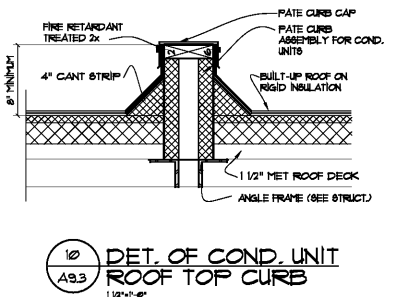
7 DET. FOR PIPES THRU ROOF
A9.3 1 1/2" x 7-8"



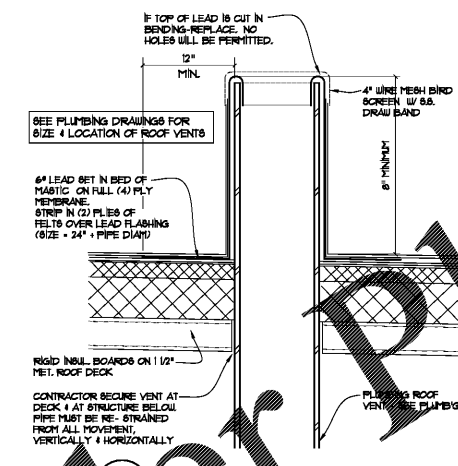
8 TYP. ROOF CURB DET. FOR EXHAUST HOODS
A9.3 1 1/2" x 7-8"



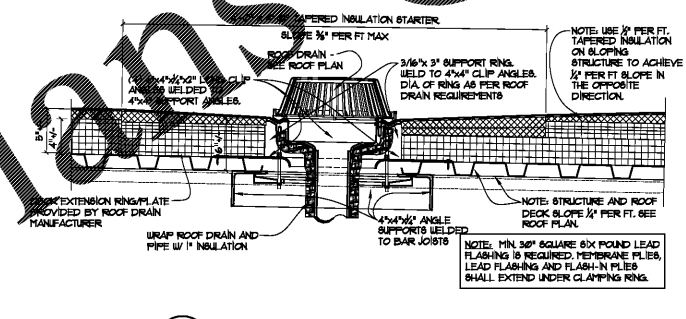
9 TYP. SUPPORT CURB DETAILS AT MECH. ROOF TOP UNITS
A9.3 1 1/2" x 7-8"



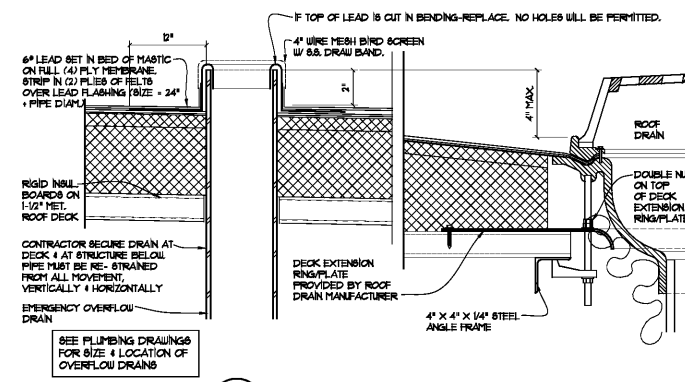
10 DET. OF COND. UNIT ROOF TOP CURB
A9.3 1 1/2" x 7-8"



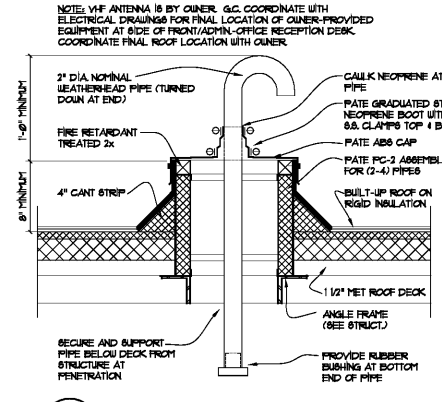
11 ROOF VENT DET.
A9.3 1 1/2" x 7-8"



12 ROOF DRAIN DET.
A9.3 1 1/2" x 7-8"



13 OVERFLOW DRAIN DET.
A9.3 3" x 7-8"



14 ROOF CURB DET. FOR CONDUIT TO (N.I.C.) VHF ANTENNA
A9.3 1 1/2" x 7-8"



Order Plans @