

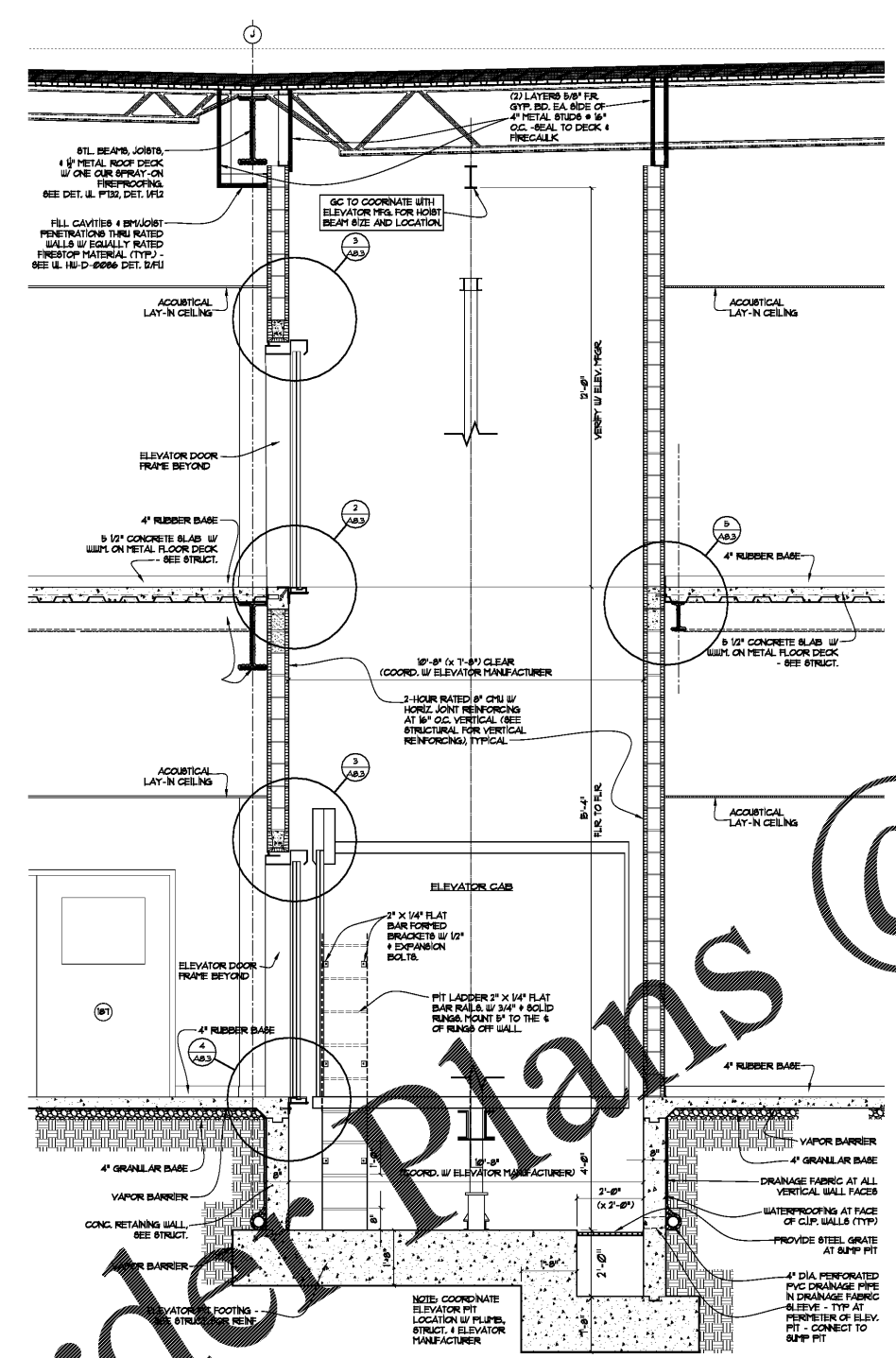
DRAWING ISSUE RECORD		
DATE	REVISION	NO.
11-1-18	ISSUE TO BID	

HARMONY LELAND-COOPER
 REPLACEMENT ELEMENTARY SCHOOL
 6326 FACTORY SHOALS DRIVE
 HABLETON, GA 30226
 FOR COBB COUNTY SCHOOL DISTRICT
 C-0089 / COE FACILITY SIDE #188

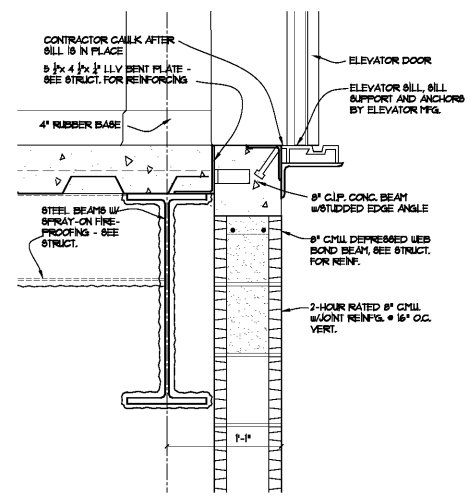
DATE: JUL 16, 2019
 JOB NO: 18-1502-18
 DRAWN BY: AK

cunningham, forhand, matthews & moore, architects, inc. - 2011 manchester street, n.e. - atlanta, georgia 30324 - phone (404) 873-2152

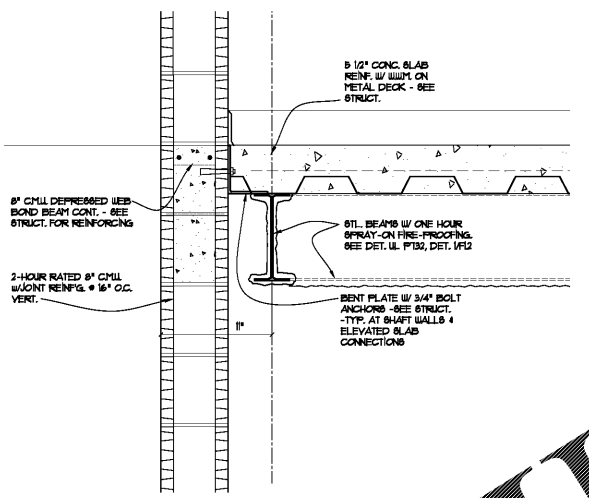
Order Plans @ www.ArchLine.com



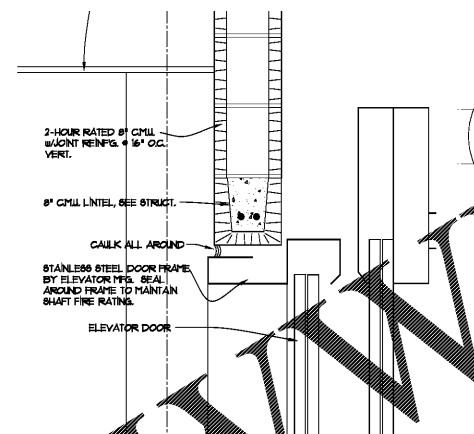
1 ELEVATOR SHAFT SECTION
 A8.3 1/2" = 1'-0"



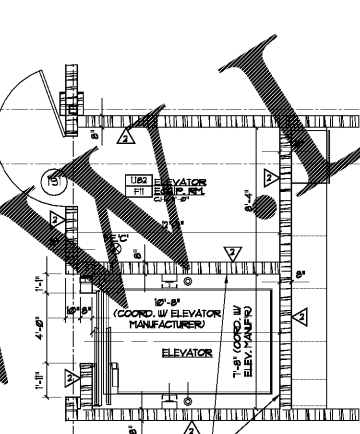
2 ELEVATOR DOOR SILL AT ELEVATED SLAB
 A8.3 1/2" = 1'-0"



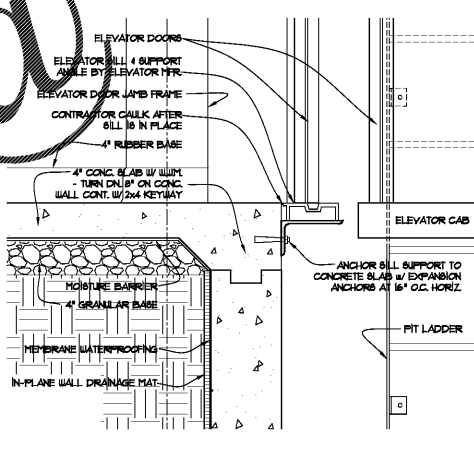
5 ELEVATED SLAB EDGE @ ELEVATOR SHAFT WALL
 A8.3 1/2" = 1'-0"



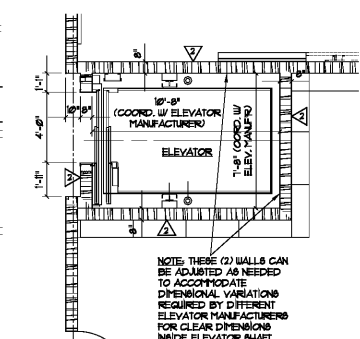
3 ELEVATOR DOOR HEAD
 A8.3 1/2" = 1'-0"



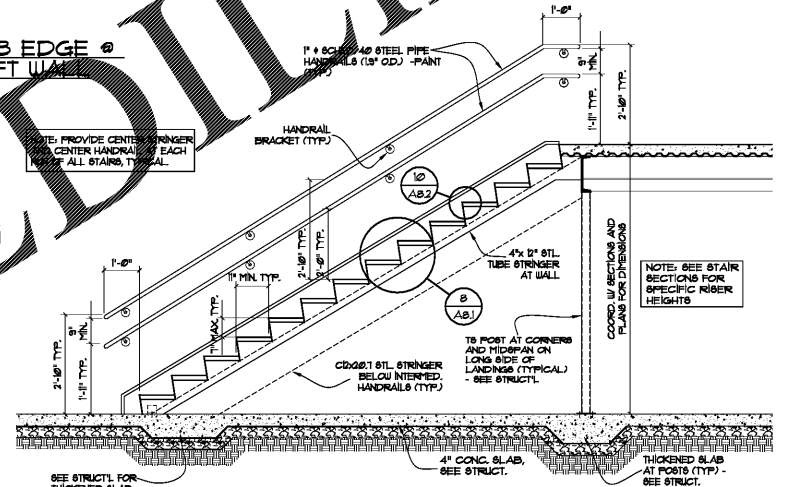
6 ELEVATOR PLAN AT MAIN LEVEL
 A8.3 1/4" = 1'-0"



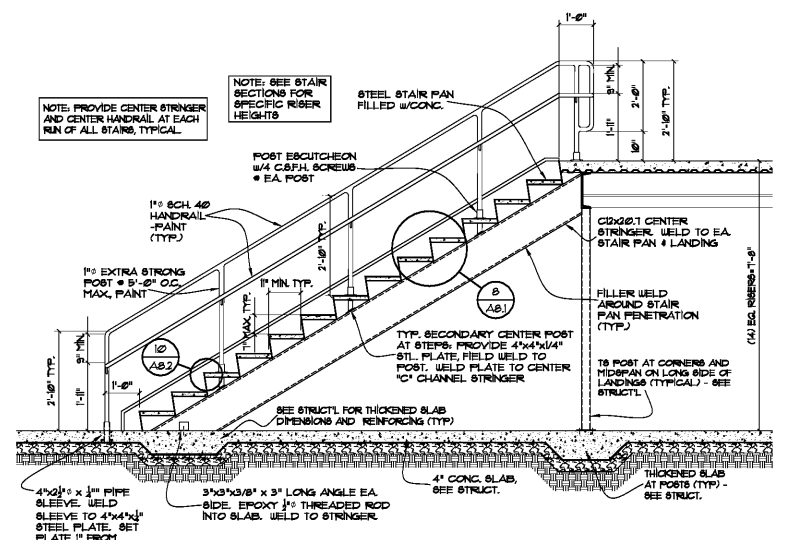
4 ELEVATOR SILL @ GRADE LEVEL
 A8.3 1/2" = 1'-0"



7 ELEVATOR PLAN AT UPPER LEVEL
 A8.3 1/4" = 1'-0"



8 WALL HANDRAIL (TYPICAL)
 A8.3 1/2" = 1'-0"



9 CENTER HANDRAIL (TYPICAL)
 A8.3 1/2" = 1'-0"



DO NOT DUPLICATE WITHOUT PERMISSION

