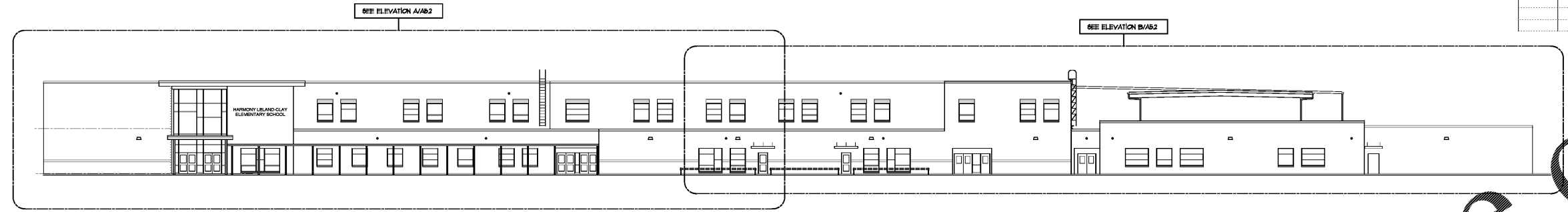
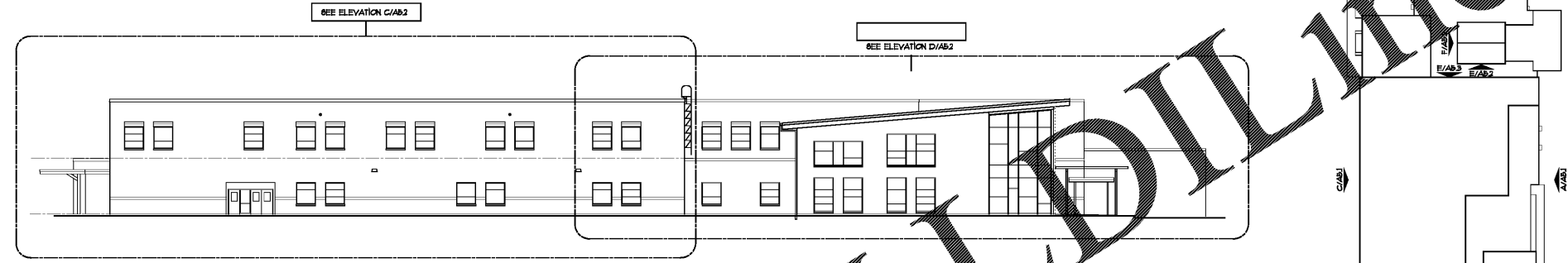


DRAWING ISSUE RECORD		
DATE	REVISIONS	NO.
11-1-18	ISSUE TO BID	



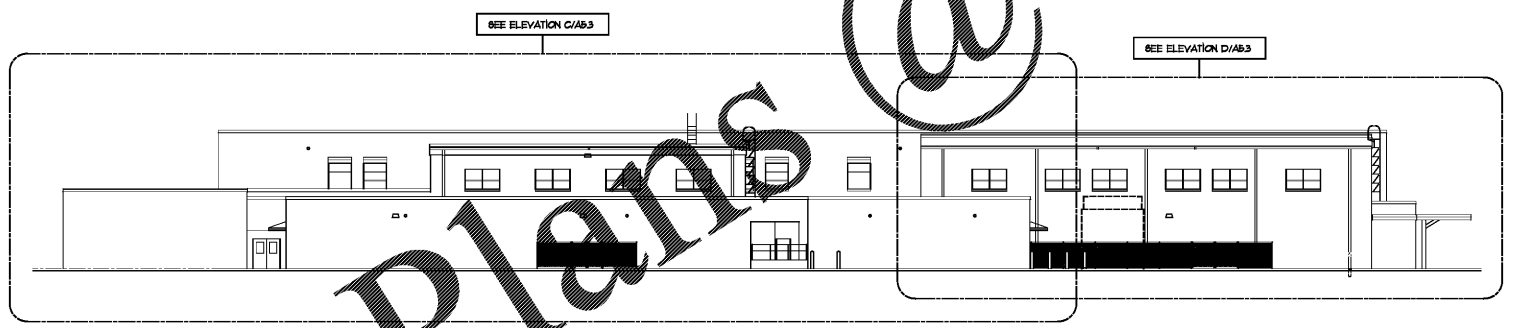
A NORTH OVERALL BUILDING ELEVATION
1/8"=1'-0"



B EAST OVERALL BUILDING ELEVATION
1/8"=1'-0"

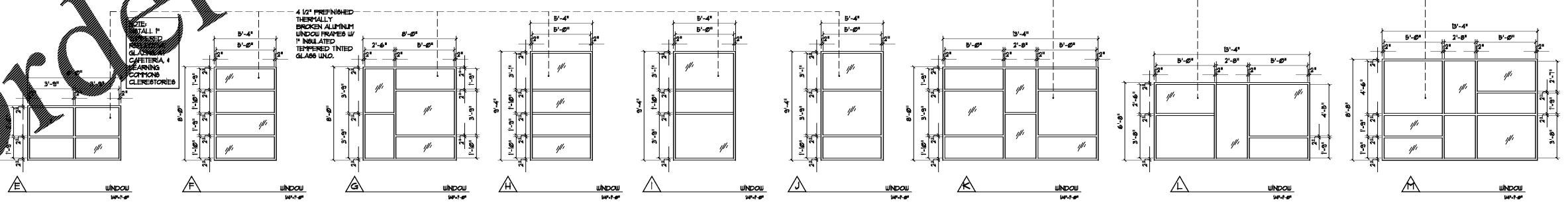
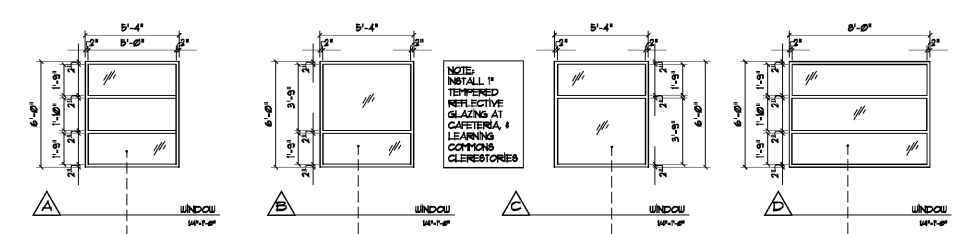


C SOUTH OVERALL BUILDING ELEVATION
1/8"=1'-0"



D WEST OVERALL BUILDING ELEVATION
1/8"=1'-0"

TYPICAL EXTERIOR ALUMINUM FRAME WINDOW ELEVATIONS



HARMONY LELAND-COOPER
 REPLACEMENT ELEMENTARY SCHOOL

6326 FACTORY SHOALS ROAD
 HABLETON, GA 30216
 FOR COBB COUNTY SCHOOL DISTRICT
 CCSD PROJECT NO. 14894 / JOE FACILITY SIDE #188

DATE: JUL 16, 2019
 JOB NO: 81-1-2019-18
 DRAWN BY: AK

cunningham, forhand, matthews & moore, architects, inc. - 2011 manchester street, n.e. - atlanta, georgia 30324 - phone (404) 873-2152

cunningham forhand matthews moore

Order Plans @

WWW.LDOnline.com