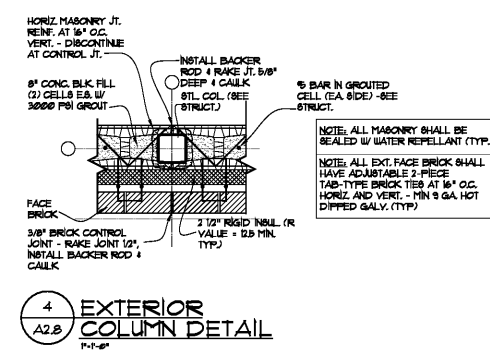
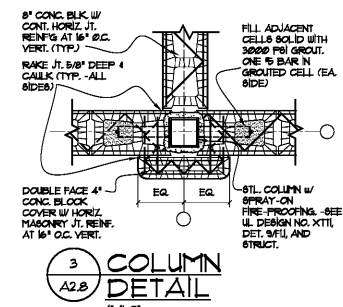
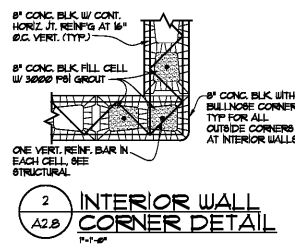
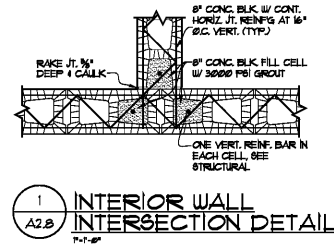
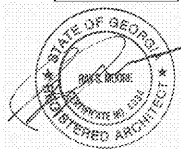


| DRAWING ISSUE RECORD | | |
|----------------------|--------------|-----|
| DATE | REVISIONS | NO. |
| 11-1-18 | ISSUE TO BID | |
| | | |
| | | |



Order Plans @ www.LDILine.com



cunningham foerhand matthews moore

cunningham, foerhand, matthews & moore, architects, inc. - 2011 manchester street, n.e. - atlanta, georgia 30324 - phone (404) 873-2152

HARMONY LELAND-COOPER
REPLACEMENT ELEMENTARY SCHOOL

63246 FACTORY SHOALS ROAD
HABLETON, GA 30226
FOR COBB COUNTY SCHOOL DISTRICT
CCSD PROJECT NO. 04894 / JOSE FACILITY SIDE #188

DATE: JUL 16, 2018
JOB NO. 84-1502-18
DRAWN BY: AK