

DRAWING ISSUE RECORD		
DATE	REVISIONS	NO.
11-1-18	ISSUED TO BID	

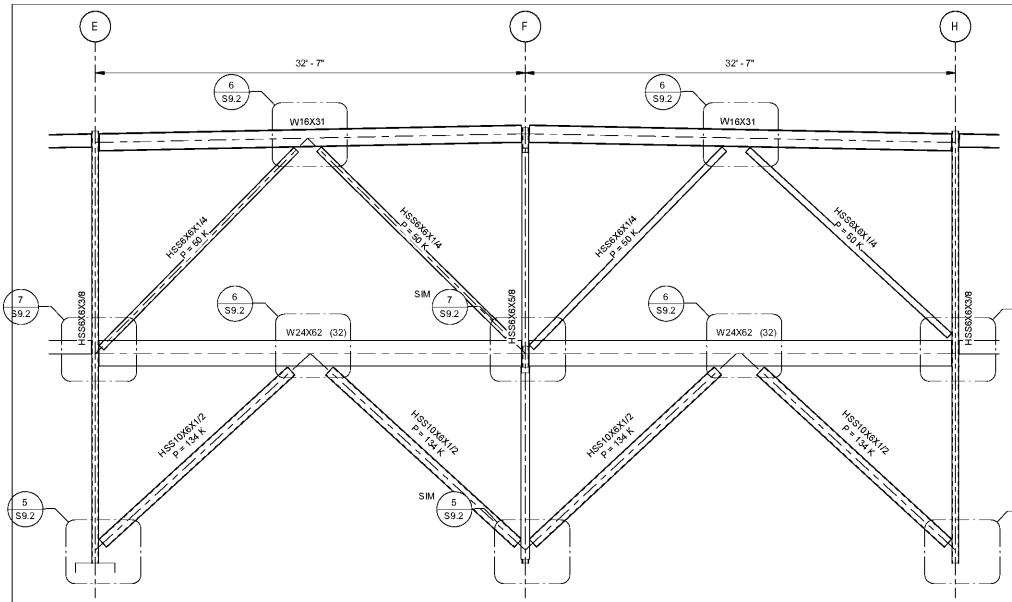


HARMONY LEAN AND LAY
REPLACEMENT ELEMENTARY SCHOOL
6528 FACTORY SHOALS RD. SW
FOR COBB COUNTY SCHOOLS DISTRICT
COBB COUNTY, GA
CCSD PROJECT No. A004 / DOE FACILITY CODE

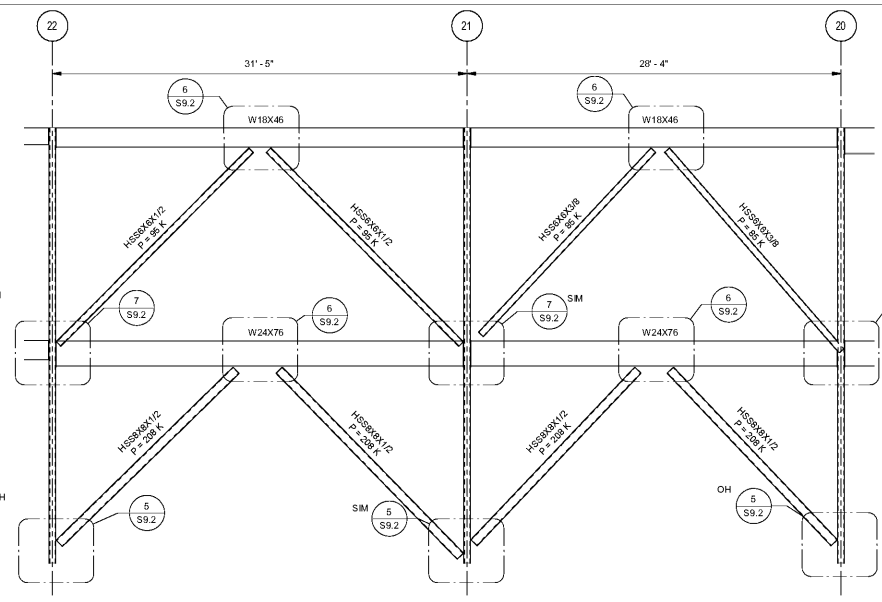
DATE: JULY 18, 2018
JOB NO.: SHL-002-18
DWG. BY: TUL
CHK. BY: RMS

cunningham forhand matthews inc. - atlanta, georgia 30324 - phone (404) 873-2152

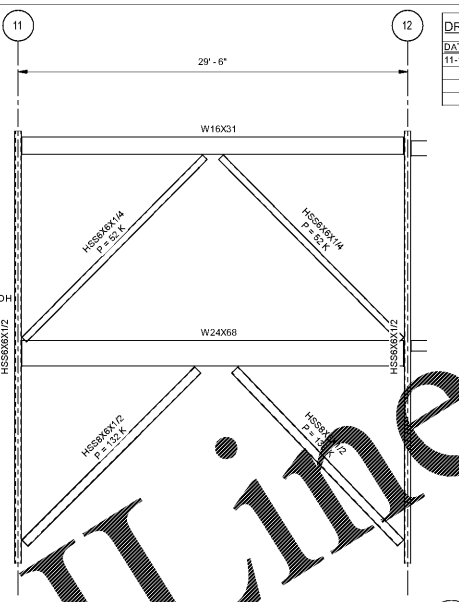
Order Plans @



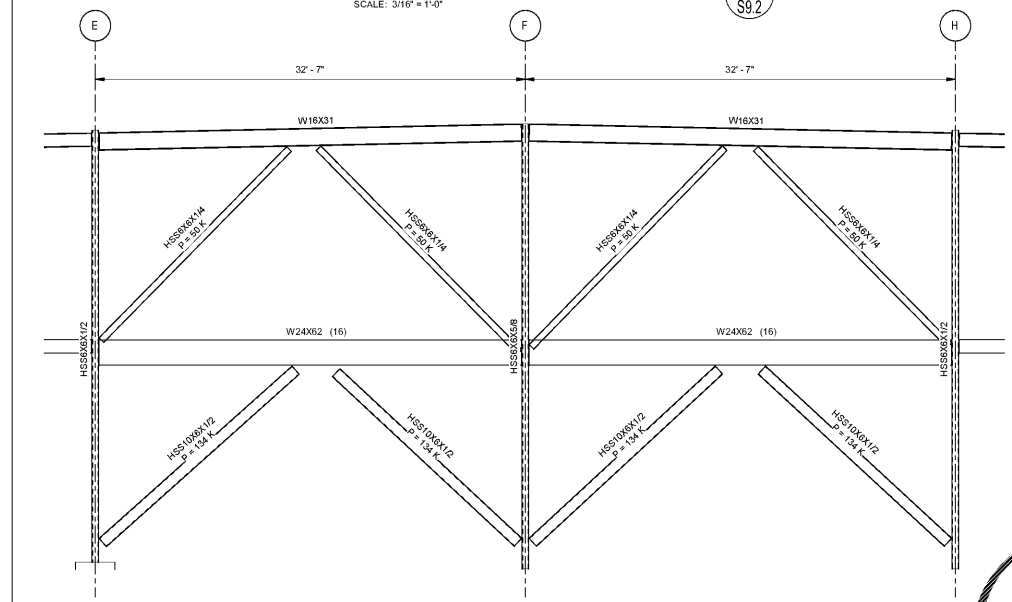
BRACED FRAME ALONG COLUMN LINE 21
SCALE: 3/16" = 1'-0"
1 S9.2



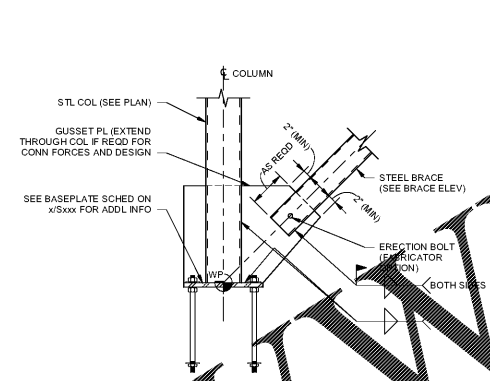
BRACED FRAME ALONG COLUMN LINE F
SCALE: 3/16" = 1'-0"
2 S9.2



BRACED FRAME ALONG COLUMN LINE N
SCALE: 3/16" = 1'-0"
3 S9.2

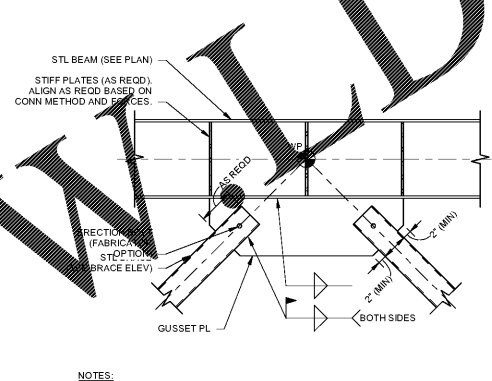


BRACED FRAME ALONG COLUMN LINE 14
SCALE: 3/16" = 1'-0"
4 S9.2



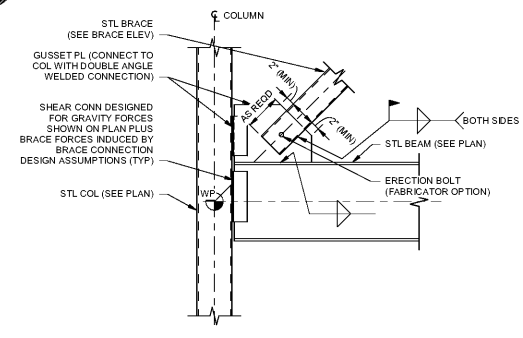
NOTES:
1. FABRICATOR SHALL SUBMIT BRACE CONNECTION CALCULATIONS WITH SHOP DRAWINGS. CONNECTIONS SHALL BE DESIGNED FOR FORCES SHOWN ON BRACE ELEVATIONS AND FRAMING PLANS.
2. AT SIMILAR CONDITIONS BRACING IS REQUIRED ON BOTH SIDES OF COLUMN

COLUMN BASE WITH BRACE CONNECTION
SCALE: 3/4" = 1'-0"
5 S9.2



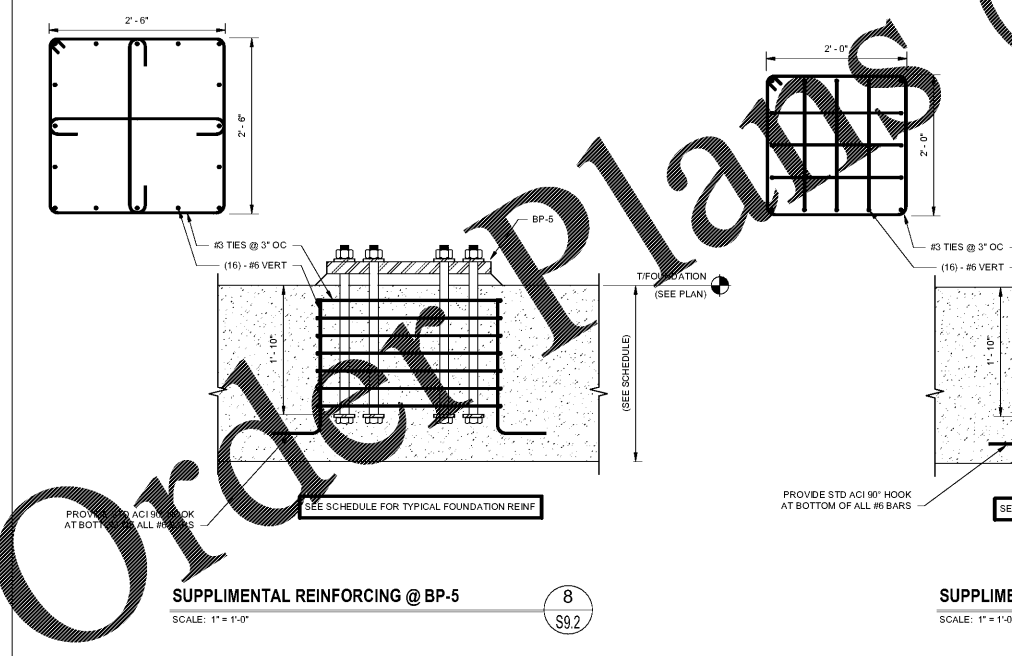
NOTES:
1. FABRICATOR SHALL SUBMIT BRACE CONNECTION CALCULATIONS WITH SHOP DRAWINGS. CONNECTIONS SHALL BE DESIGNED FOR FORCES SHOWN ON BRACE ELEVATIONS AND FRAMING PLANS.

BRACE TO BEAM CONNECTION
SCALE: 3/4" = 1'-0"
6 S9.2



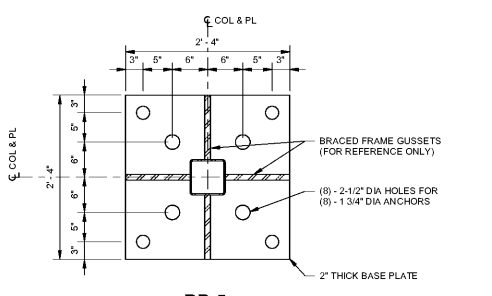
NOTES:
1. FABRICATOR SHALL SUBMIT BRACE CONNECTION CALCULATIONS WITH SHOP DRAWINGS. CONNECTIONS SHALL BE DESIGNED FOR FORCES SHOWN ON BRACE ELEVATIONS AND FRAMING PLANS.
2. FABRICATOR HAS THE OPTION TO USE BOLTED GUSSET CONNECTIONS. SUBMIT DETAIL FOR REVIEW AND ACCEPTANCE PRIOR TO SUBMITTING SHOP DRAWINGS.
3. AT SIMILAR CONDITIONS BRACING IS PRESENT AT BOTH SIDES OF THE COLUMN.

BEAM/BRACE CONNECTION @ COLUMN
SCALE: 3/4" = 1'-0"
7 S9.2

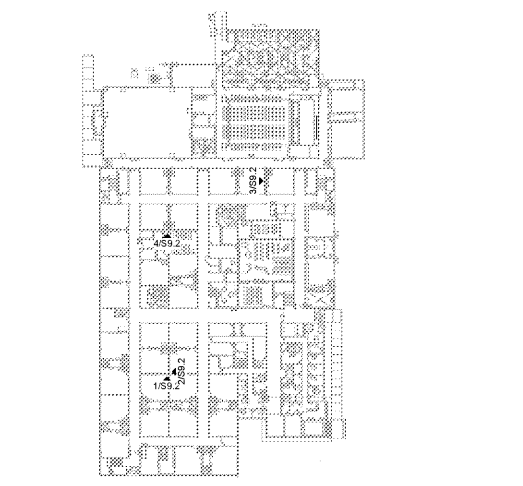
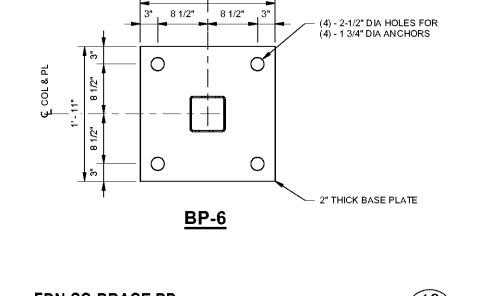


SUPPLEMENTAL REINFORCING @ BP-5
SCALE: 1" = 1'-0"
8 S9.2

SUPPLEMENTAL REINFORCING @ BP-6
SCALE: 1" = 1'-0"
9 S9.2



FDN-SC-BRACE BP
SCALE: 1" = 1'-0"
10 S9.2



BRACED FRAME ELEVATION KEY PLAN
SCALE: 1" = 80'-0"
11 S9.2

BRACED FRAME ELEVATION NOTES:
1. BRACE FORCES SHOWN ON ELEVATIONS ARE SERVICE LEVEL FORCES. BRACE CONNECTIONS SHALL BE DESIGNED FOR BOTH COMPRESSION AND TENSION UNLESS NOTED OTHERWISE.
2. BRACE CONNECTION DETAILS SHOWN ARE INTENDED TO CONVEY STRUCTURAL DESIGN INTENT. STRUCTURAL STEEL FABRICATOR SHALL COMPLETE THE DESIGN OF ALL BRACE CONNECTIONS. CONNECTION DESIGN CALCULATIONS PREPARED BY A REGISTERED DESIGN PROFESSIONAL LICENSED IN THE STATE IN WHICH THE PROJECT IS LOCATED SHALL BE SUBMITTED FOR REVIEW PRIOR TO CONSTRUCTION. SEE GENERAL NOTES AND SPECIFICATIONS.

PES STRUCTURAL ENGINEERS
ADDRESS: 1882 Century Place NE, Suite 201, Atlanta, Georgia 30345
PHONE: 770.457.5833 FAX: 770.457.8099 WEB: www.pesengineers.com
PES PROJECT NUMBER: 2218161



S9.2