

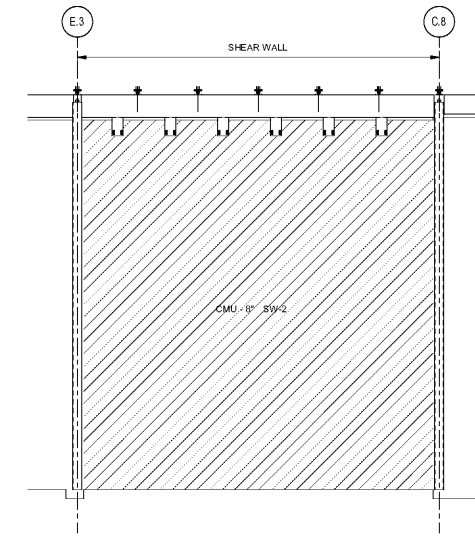
DRAWING ISSUE RECORD		
DATE	REVISIONS	NO.
11-1-18	ISSUED TO BID	



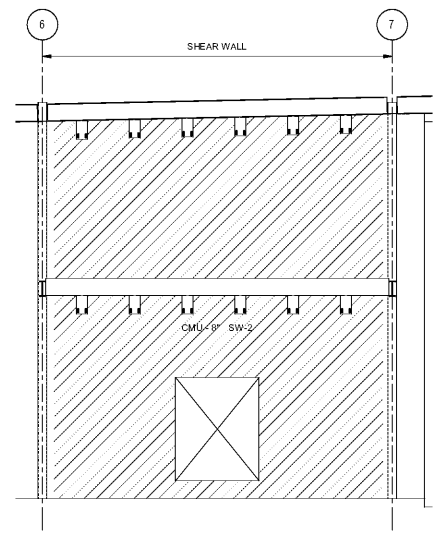
HARMONY LEAN AND CLAY
REPLACEMENT ELEMENTARY SCHOOL
6528 FACTORY SHOALS RD. SW
CUMMING, GA 30041
FOR COBB COUNTY SCHOOLS DISTRICT
Cobb County, GA
CCSD PROJECT No. A004 / DOE FACILITY CODE

DATE: JUL 18 2018
JOB NO. SHL-002-18
DWG. BY: TUL
CHK. BY: RMS

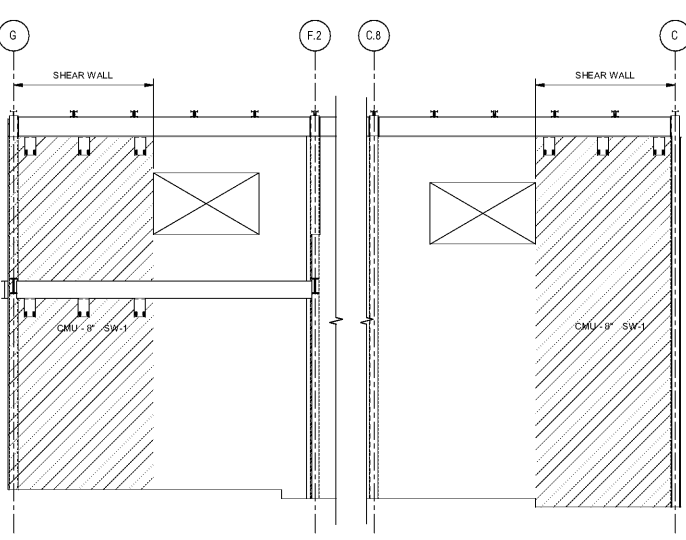
cunningham forhand matthews moore
cunningham, forhand, matthews & moore, architects, inc. - 2011 manchester street, n.e. - atlanta, georgia 30324 - phone (404) 873-2152



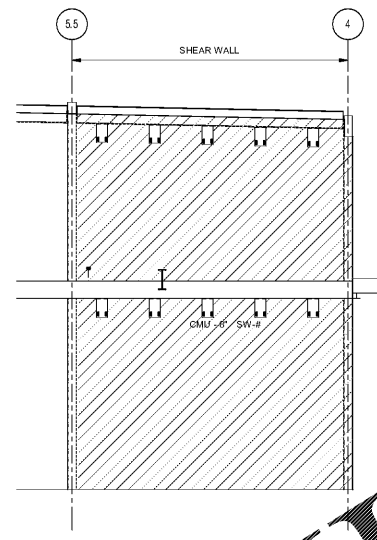
GYM SHEAR WALL ALONG COL LINE 9
SCALE: 3/16" = 1'-0"
S9.1



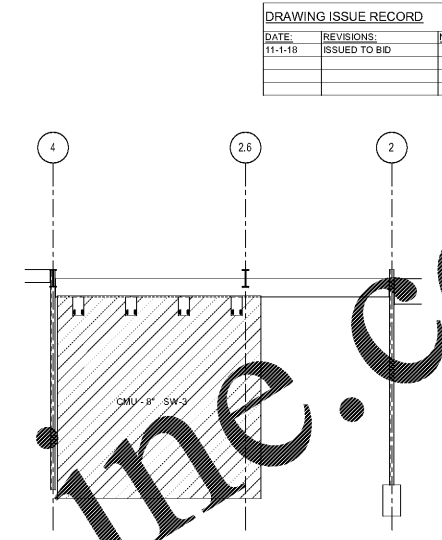
GYM SHEAR WALL ALONG COL LINE C
SCALE: 3/16" = 1'-0"
S9.1



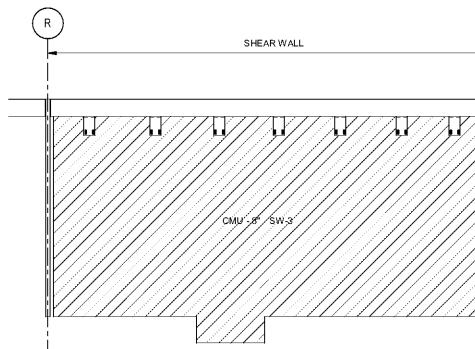
GYM SHEAR WALL ALONG COL LINE 4
SCALE: 3/16" = 1'-0"
S9.1



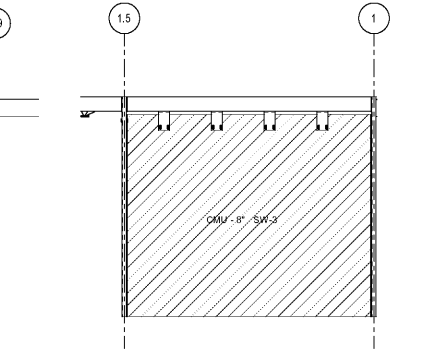
GYM SHEAR WALL ALONG COL LINE G
SCALE: 3/16" = 1'-0"
S9.1



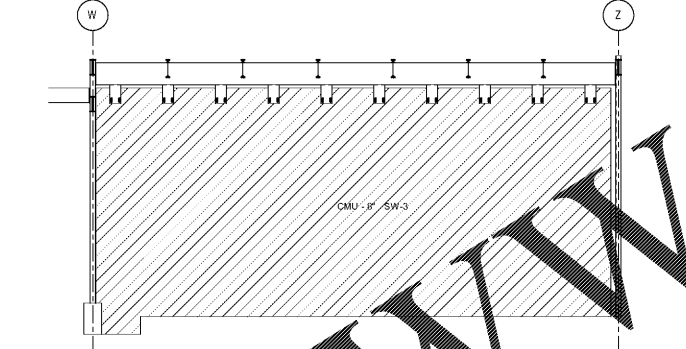
SHEAR WALL ALONG COL LINE K
SCALE: 3/16" = 1'-0"
S9.1



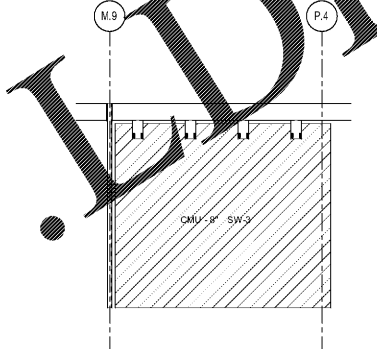
SHEAR WALL ALONG COL LINE 1
SCALE: 3/16" = 1'-0"
S9.1



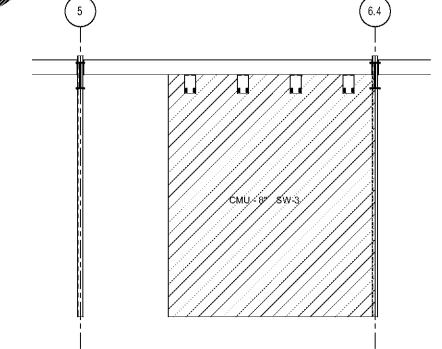
SHEAR WALL ALONG COL LINE T
SCALE: 3/16" = 1'-0"
S9.1



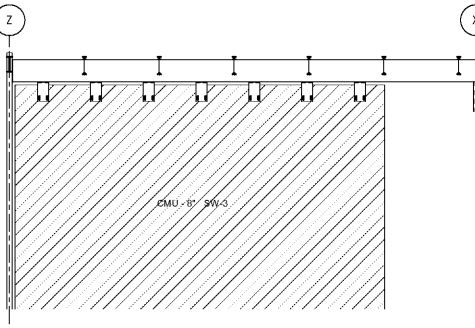
SHEAR WALL ALONG COL LINE 3
SCALE: 3/16" = 1'-0"
S9.1



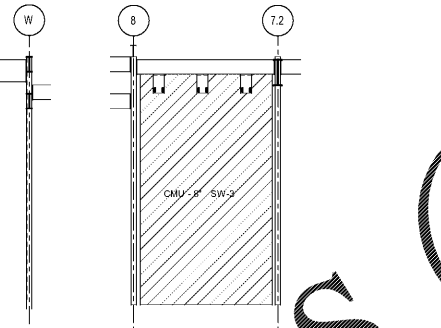
SHEAR WALL ALONG COL LINE 4
SCALE: 3/16" = 1'-0"
S9.1



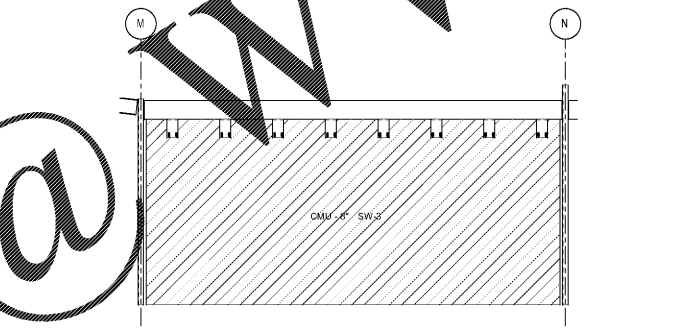
SHEAR WALL ALONG COL LINE Z
SCALE: 3/16" = 1'-0"
S9.1



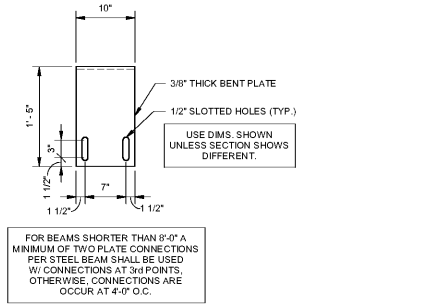
SHEAR WALL ALONG COL LINE 9
SCALE: 3/16" = 1'-0"
S9.1



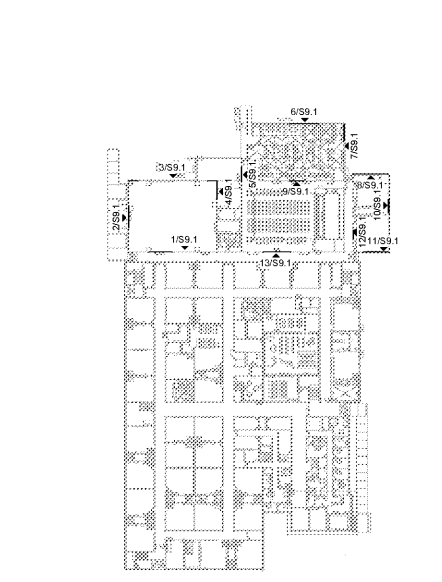
SHEAR WALL ALONG COL LINE 10
SCALE: 3/16" = 1'-0"
S9.1



SHEAR WALL ALONG COL LINE 9
SCALE: 3/16" = 1'-0"
S9.1

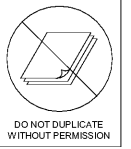


DETAIL
SCALE: 1" = 1'-0"
S9.1

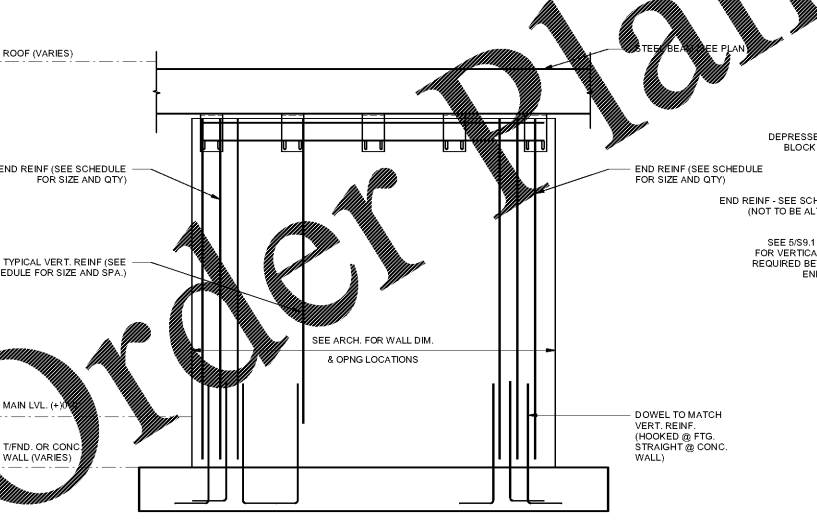


SHEAR WALL ELEVATION KEY PLAN
SCALE: 1" = 80'-0"
S9.1

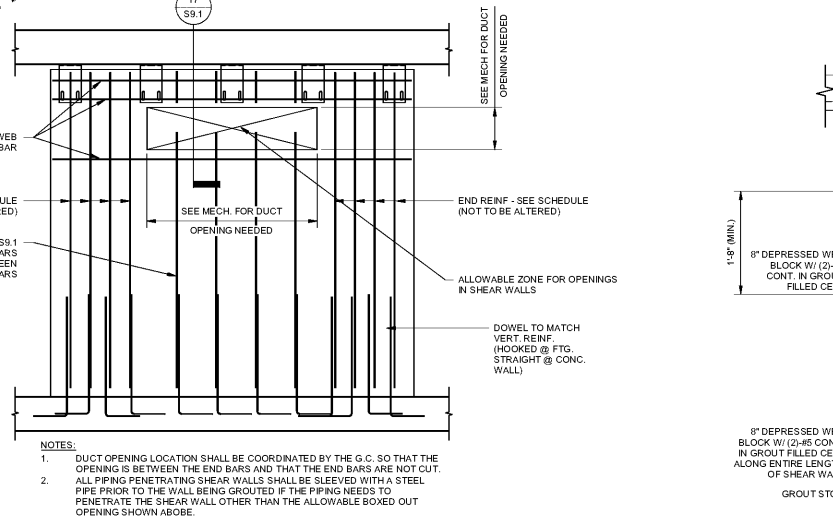
Mark	TYPICAL REINFORCEMENT	# END CELL REINF
SW-1	#5 @ 8" OC	FULLY GROUTED & REINF
SW-2	#5 @ 24" OC	(2) - #5
SW-3	#5 @ 24" OC	(5) - #5
W-1	#5 @ 16" OC	N/A
W-2	#5 @ 24" OC	N/A



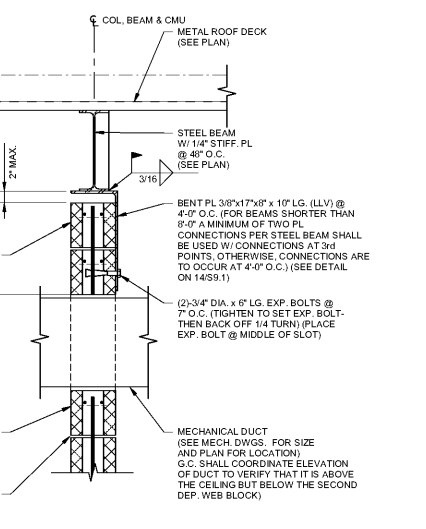
PES STRUCTURAL ENGINEERS
ADDRESS: 1632 Century Place NE, Suite 201, Atlanta, Georgia 30345
PHONE: 770.457.5533 FAX: 770.457.8999 WEB: www.pesengineers.com
PES PROJECT NUMBER: 2218161
11/01/2018



TYPICAL SHEAR WALL ELEVATION
SCALE: 3/8" = 1'-0"
S9.1



TYP. ALLOWABLE SHEAR WALL PENETRATIONS
SCALE: 3/8" = 1'-0"
S9.1



DETAIL
SCALE: 1" = 1'-0"
S9.1

WWW.LDIDLINE.COM @

Order Plans