

DRAWING ISSUE RECORD		
DATE	REVISIONS	NO.
11-1-18	ISSUED TO BID	

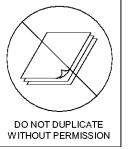
HARMONY LEAN AND LAY
REPLACEMENT ELEMENTARY SCHOOL
6528 FACTORY SHOALS RD SW
FOR COBB COUNTY SCHOOL DISTRICT
COBB COUNTY, GA
CCSD PROJECT NO. A004 / DOE FACILITY CODE

DATE: JULY 18, 2018
JOB NO.: SHL-002-18
DWG. BY: TUL
CHK. BY: RMS

cunningham, forchard, matthews & moore, architects, inc. - 2011 manchester street, n.e. - atlanta, georgia 30324 - phone (404) 873-2152

cunningham forchard matthews & moore

12 S8.2

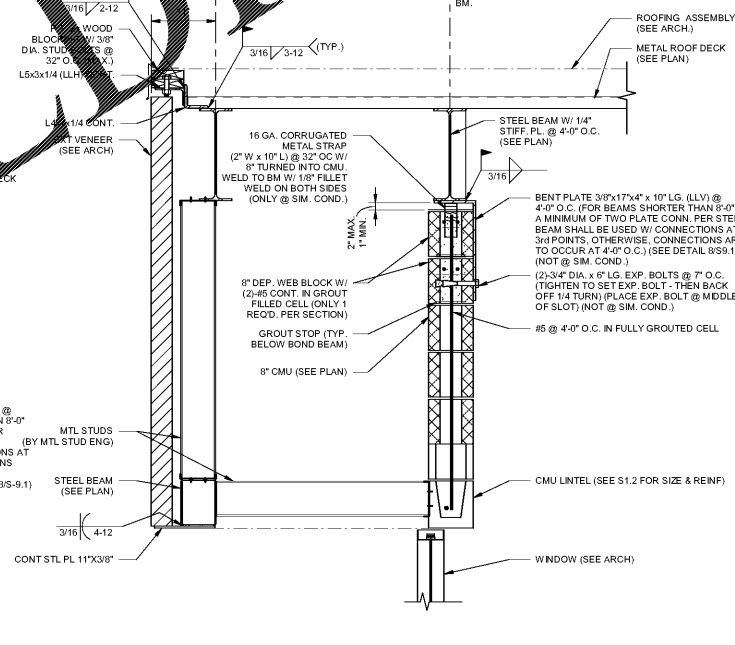


S8.2

PES STRUCTURAL ENGINEERS
ADDRESS: 1632 Century Place NE, Suite 201, Atlanta, Georgia 30345
PHONE: 770-457-5533 FAX: 770-457-9999 WEB: www.pesengineers.com
PES PROJECT NUMBER: 0218161

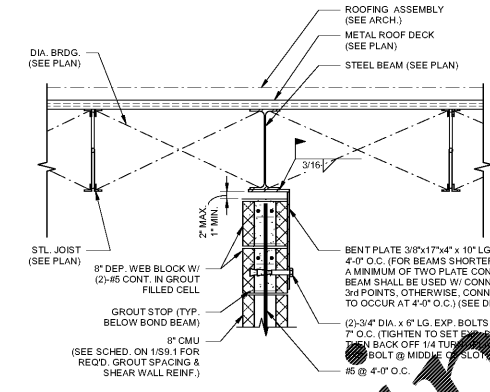
11/01/2016

SECTION 8 SCALE: 1" = 1'-0"

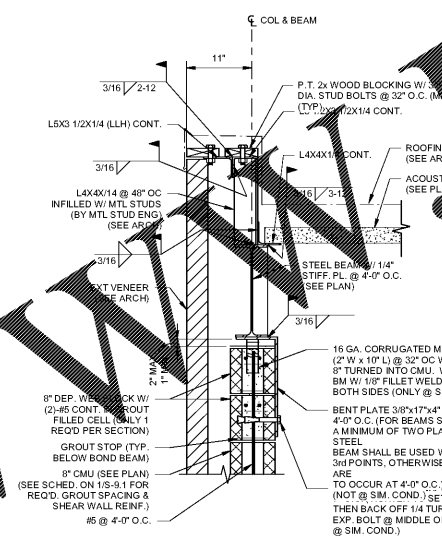


"TYP. @ INT. CMU SHEAR WALLS"

SECTION 4 SCALE: 1" = 1'-0"

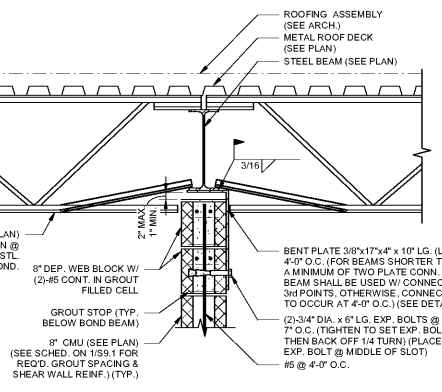


SECTION 7 SCALE: 1" = 1'-0"

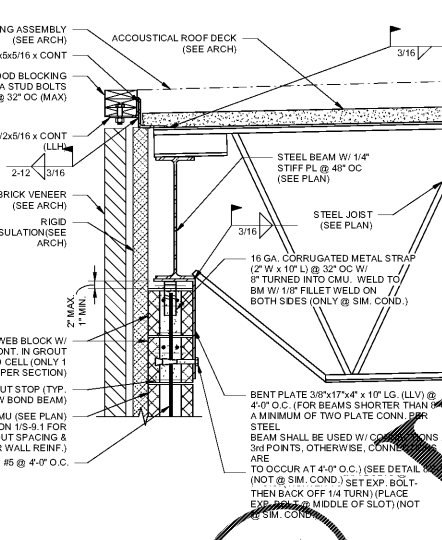


"TYP. @ INT. CMU SHEAR WALLS"

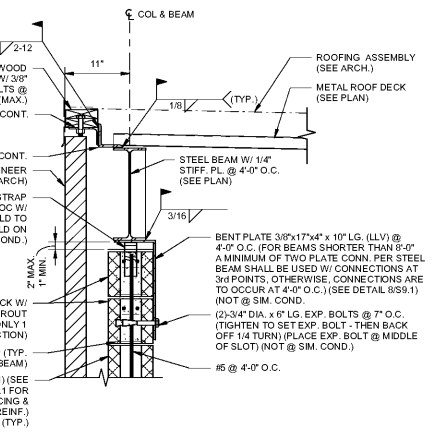
SECTION 3 SCALE: 1" = 1'-0"



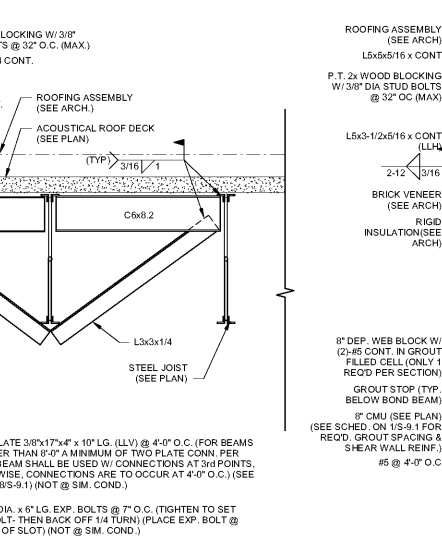
SECTION 6 SCALE: 1" = 1'-0"



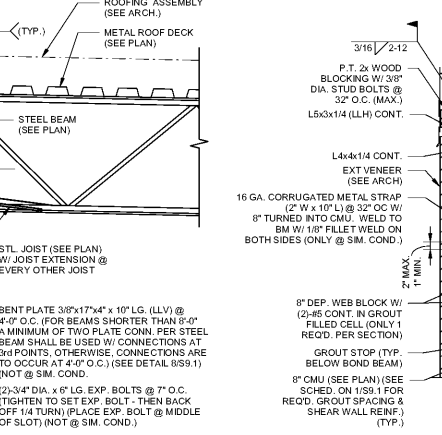
DETAIL 2 SCALE: 1" = 1'-0"



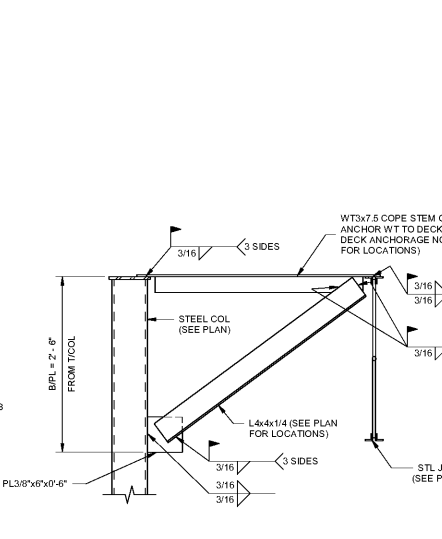
SECTION 5 SCALE: 1" = 1'-0"



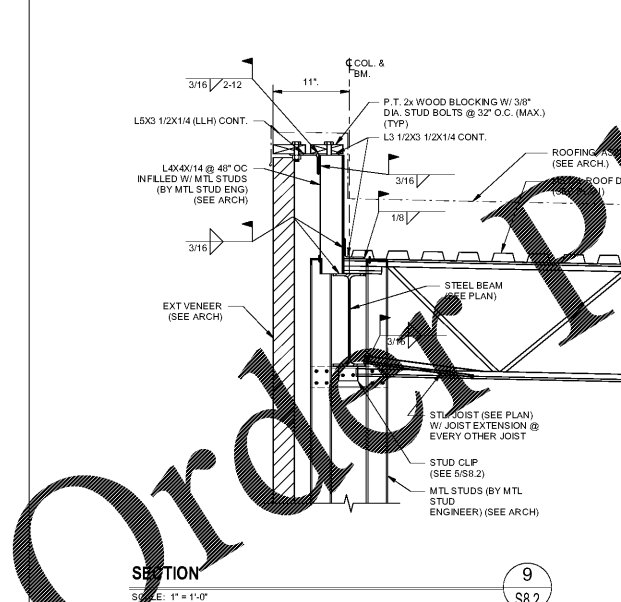
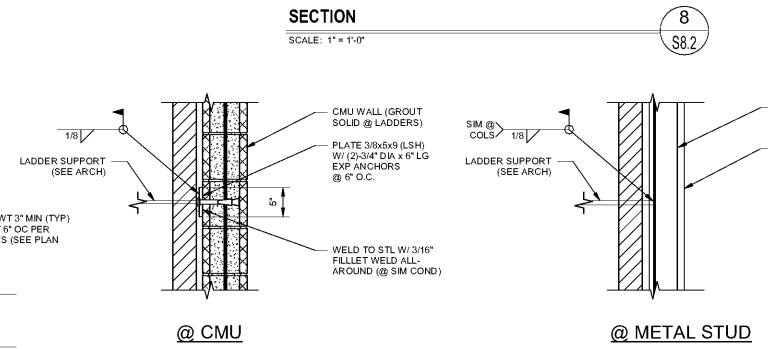
DETAIL 1 SCALE: 1" = 1'-0"



SECTION 11 SCALE: 1" = 1'-0"

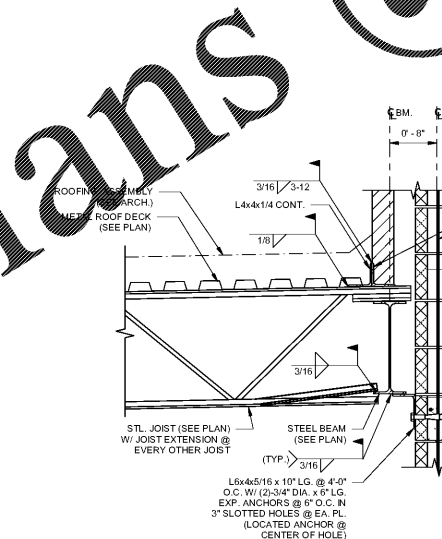


TYPICAL ACCESS LADDER SUPPORT DETAIL SCALE: 1" = 1'-0"

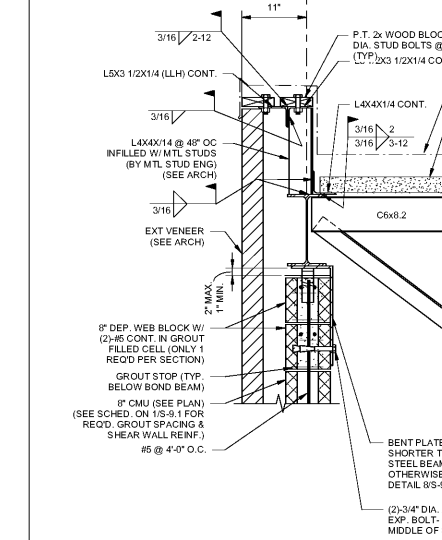


SECTION 9 SCALE: 1" = 1'-0"

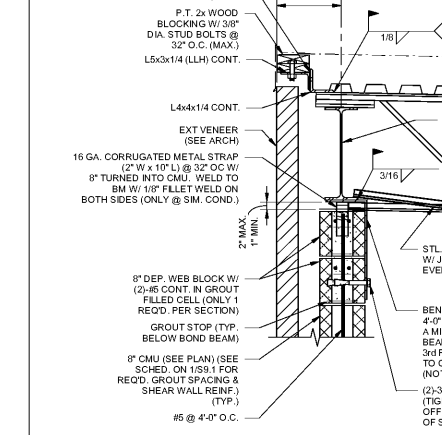
SECTION 10 SCALE: 1" = 1'-0"



SECTION 5 SCALE: 1" = 1'-0"



DETAIL 1 SCALE: 1" = 1'-0"



Order Plans @ www.pdfline.com