

DATE	REVISIONS	NO.
11-1-18	ISSUED TO BID	

HARMONY LEAN AND LAY
REPLACEMENT ELEMENTARY SCHOOL
6328 FACTORY SHOALS RD. SW
COBB COUNTY SCHOOL DISTRICT
FOR COBB COUNTY SCHOOL DISTRICT
COBB COUNTY, GA
CCSD PROJECT NO. A004/DOE FACILITY CODE

DATE: JUL 18 2018
JOB NO: SHL-002-18
DWG. NO: S8.1

DATE: JUL 18 2018
JOB NO: SHL-002-18
DWG. NO: S8.1

DATE: JUL 18 2018
JOB NO: SHL-002-18
DWG. NO: S8.1

DATE: JUL 18 2018
JOB NO: SHL-002-18
DWG. NO: S8.1

DATE: JUL 18 2018
JOB NO: SHL-002-18
DWG. NO: S8.1

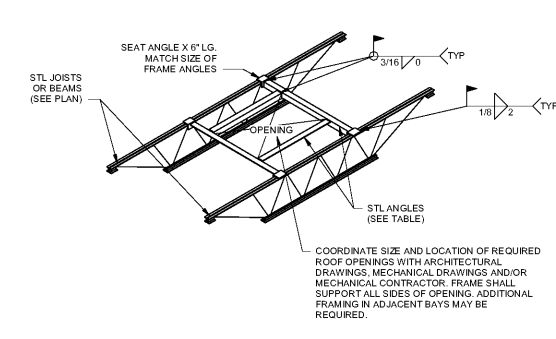
DATE: JUL 18 2018
JOB NO: SHL-002-18
DWG. NO: S8.1

DATE: JUL 18 2018
JOB NO: SHL-002-18
DWG. NO: S8.1

DATE: JUL 18 2018
JOB NO: SHL-002-18
DWG. NO: S8.1

DATE: JUL 18 2018
JOB NO: SHL-002-18
DWG. NO: S8.1

DATE: JUL 18 2018
JOB NO: SHL-002-18
DWG. NO: S8.1

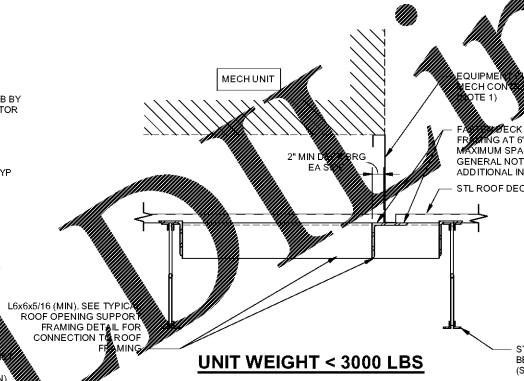
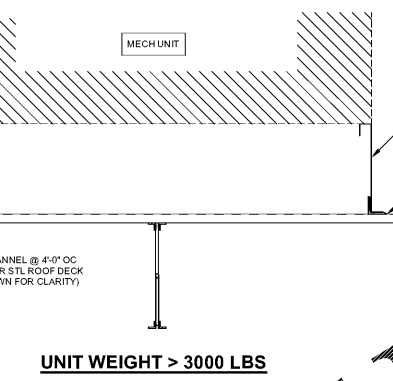
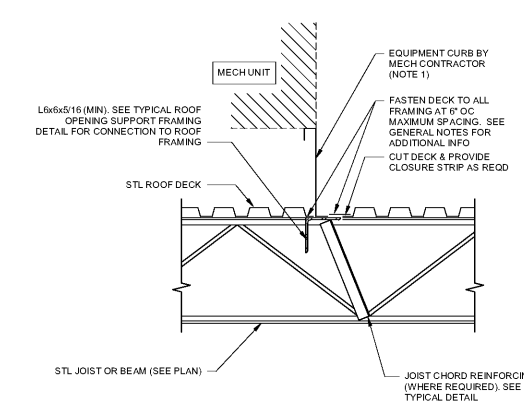
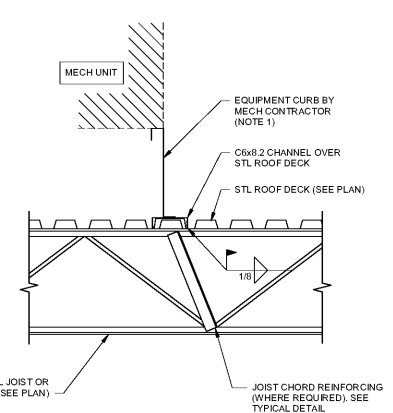


SPAN	ANGLE SIZE
UP TO 4'-0"	L3X3X3/16
4'-1" TO 6'-0"	L4X3X1/4 (LLV)
6'-1" TO 8'-0"	L5X3X1/4 (LLV)
8'-1" TO 10'-0"	L6X3X1/4 (LLV)

- NOTES:**
- PROVIDE SIMILAR FRAMING AT ROOF DRAINS.
 - WELD/CONNECT DECK TO ALL FRAMING AT 6" OC MAXIMUM SPACING. COORDINATE WITH ENGINEER FOR SPECIAL DETAILS REQUIRED TO CONNECT ANGLES TO EXISTING DECK IN AN INSTALLATION OF NEW UNIT ON EXISTING ROOF FRAMING.
 - WHEN JOIST BRIDGING CONFLICTS WITH ROOF OPENING FRAMES, STOP BRIDGING AT EACH SIDE OF OPENING, PROVIDE CROSS BRIDGING AT LAST BRIDGING SPACE EACH SIDE OF OPENING AND CONNECT ENDS OF BRIDGING TO OPENING FRAMING. ADD ADDITIONAL BRIDGING AND CROSS BRIDGING ON EACH SIDE OF OPENING ON EACH SIDE OF CUT BRIDGING AREA WITH BRIDGING EXTENDED ONE BAY BEYOND EACH SIDE OF OPENING.
 - ANCHOR EQUIPMENT AND CURB TO MISCELLANEOUS FRAMING SHOWN AS REQUIRED FOR WIND AND/OR SEISMIC FORCES. COORDINATE WITH EQUIPMENT/CURB MANUFACTURER (CONNECTION DESIGN NOT BY PES STRUCTURAL ENGINEERS).
 - THIS DETAIL IS NOT APPLICABLE TO ROOFTOP EQUIPMENT CURBS. REFER TO TYPICAL EQUIPMENT CURB SUPPORT DETAIL FOR CURB SUPPORT FRAMING.

TYPICAL ROOF OPENING DECK SUPPORT FRAMING
SCALE: 3/8" = 1'-0"

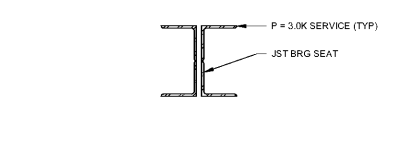
1
S8.1



UNIT WEIGHT > 3000 LBS

UNIT WEIGHT < 3000 LBS

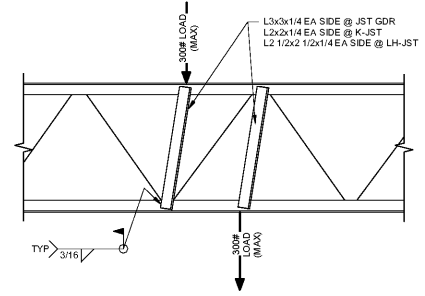
- NOTES:**
- COORDINATE SIZE AND LOCATION OF EQUIPMENT CURB WITH MECHANICAL CONTRACTOR. CURB SHALL BE SUPPORTED ON ALL SIDES.
 - ANCHOR EQUIPMENT AND CURB TO MISCELLANEOUS FRAMING SHOWN AS REQUIRED FOR WIND AND/OR SEISMIC FORCES. COORDINATE WITH EQUIPMENT/CURB MANUFACTURER (CONNECTION DESIGN NOT BY PES STRUCTURAL ENGINEERS).
 - NOTICE TO ENGINEER IF EQUIPMENT SIZE AND/OR WEIGHT (INCLUDING CURB) EXCEEDS WEIGHT NOTED ON PLANS.
- IN ADDITION TO CURB SUPPORT FRAME, INSTALL TYPICAL ROOF OPENING FRAME TO SUPPORT DECK AT PERIMETER OF OPENINGS. SEE TYPICAL ROOF OPENING FRAME DETAIL FOR ADDITIONAL INFORMATION.
- PROVIDE LARGER FRAMING MEMBERS AS REQUIRED FOR ANCHORAGE OF EQUIPMENT CURB.



- NOTE:**
- JOIST FABRICATOR TO DESIGN JOIST BEARING SEAT FOR LOAD SHOWN. PROVIDE BEARING SEAT STIFF AS NEEDED.

TYPICAL JOIST ROLLOVER DESIGN FORCE
SCALE: 1" = 1'-0"

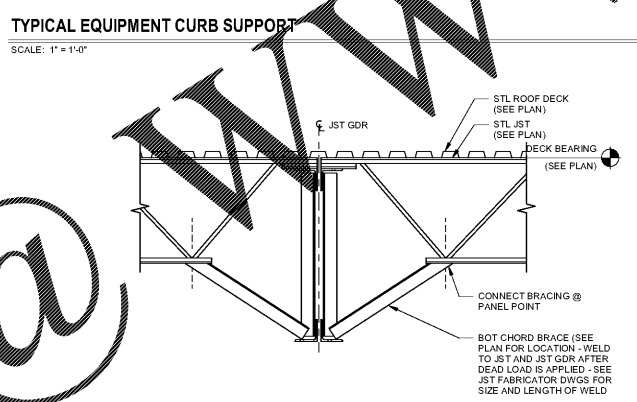
3
S8.1



- NOTE:**
- STRUT IS NOT REQUIRED WHERE THE DISTANCE FROM PANEL POINT DOES NOT EXCEED 6" FOR JOIST GIRDERS AND LH-JOISTS, OR 3" FOR K-JOISTS.
 - STRUT IS NOT REQUIRED WHERE NOMINAL CONCENTRATED LOAD DOES NOT EXCEED 100 LBS AND THE ATTACHMENTS ARE CONCENTRIC TO THE CHORD.

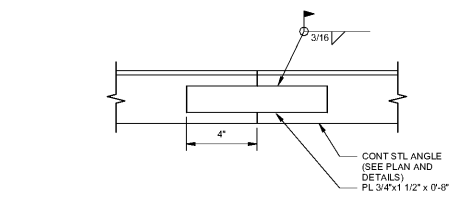
TYPICAL JOIST/JOIST GIRDER CHORD SUPPORT
SCALE: 1" = 1'-0"

5
S8.1



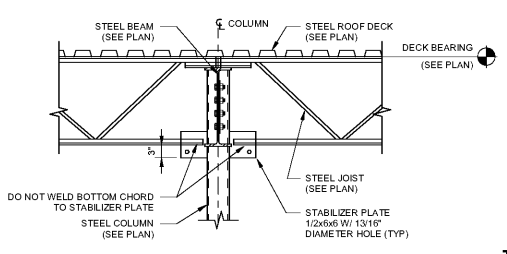
TYPICAL EQUIPMENT CURB SUPPORT
SCALE: 1" = 1'-0"

2
S8.1



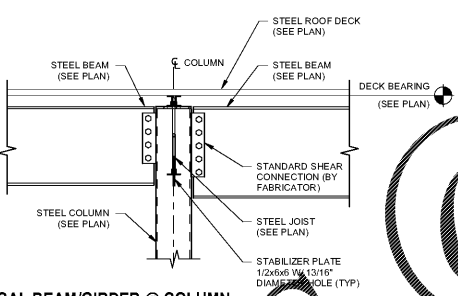
TYPICAL CONTINUOUS ROOF ANGLE SPLICE
SCALE: 3/4" = 1'-0"

4
S8.1



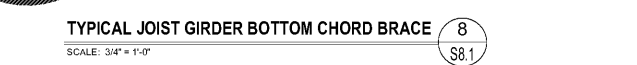
TYPICAL JOIST @ COLUMN CONNECTION
SCALE: 3/4" = 1'-0"

6
S8.1



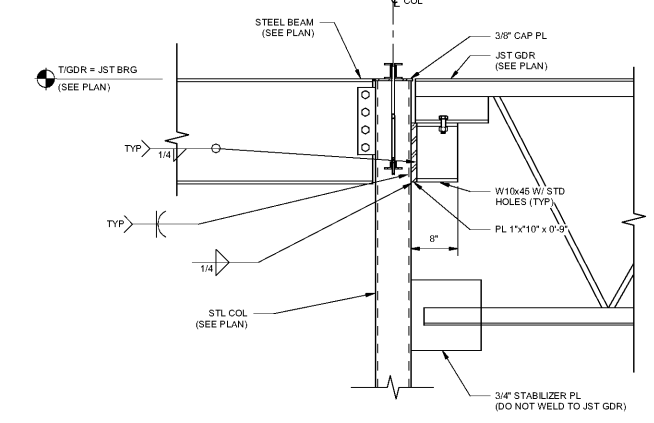
TYPICAL BEAM/GIRDER @ COLUMN CONNECTION
SCALE: 3/4" = 1'-0"

7
S8.1



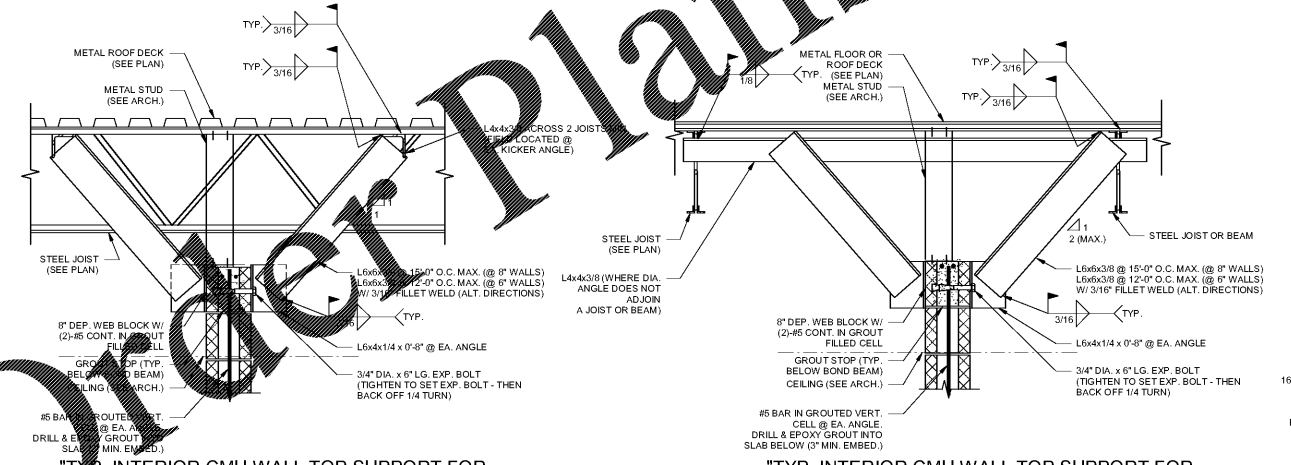
TYPICAL JOIST GIRDER BOTTOM CHORD BRACE
SCALE: 3/4" = 1'-0"

8
S8.1



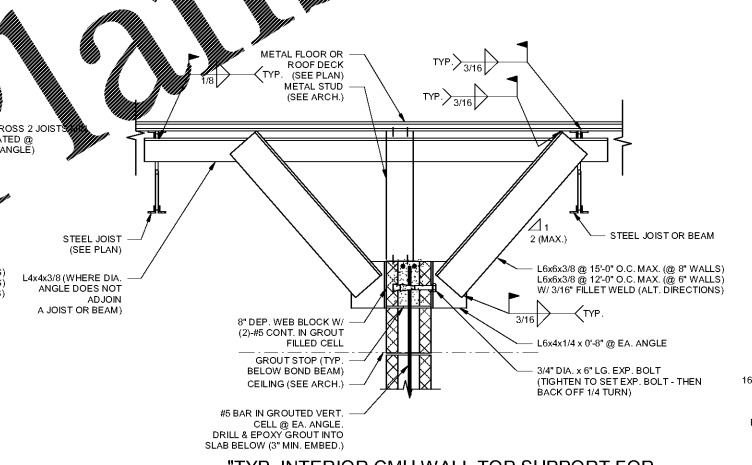
TYP JOIST GIRDER TO COLUMN CONNECTION
SCALE: N.T.S.

9
S8.1



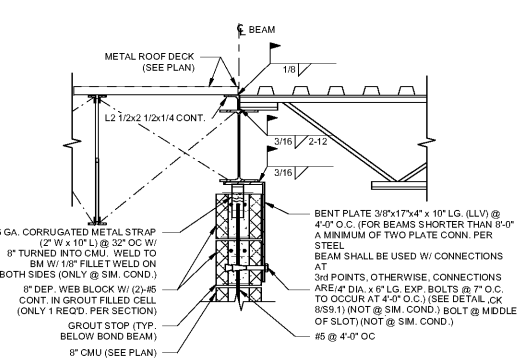
"TYP. INTERIOR CMU WALL TOP SUPPORT FOR UNSUPPORTED WALL HORIZ. LENGTHS EXCEEDING 28' AT 12\"/>

10
S8.1



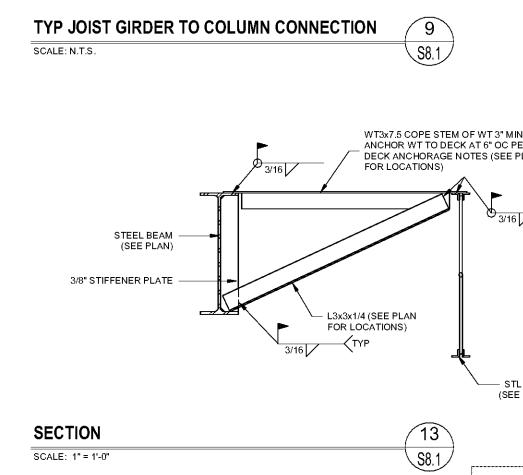
"TYP. INTERIOR CMU WALL TOP SUPPORT FOR UNSUPPORTED WALL HORIZ. LENGTHS EXCEEDING 28' AT 12\"/>

11
S8.1



"TYP. WHERE DECK CHANGES DIRECTIONS"

12
S8.1



SECTION
SCALE: 1" = 1'-0"

13
S8.1

SCALE: 1" = 1'-0"

SCALE: 1" = 1'-0"

SCALE: 1" = 1'-0"

PES STRUCTURAL ENGINEERS
ADDRESS: 1932 Century Place NE, Suite 201, Atlanta, Georgia 30345
PHONE: 770.457.5533 FAX: 770.457.9999 WEB: www.pesengineers.com
PES PROJECT NUMBER: 2218161



cunningham forhand matthews moore

30324 - phone (404) 873-2152

atlanta, georgia 30324 - phone (404) 873-2152

S8.1

11/01/2018