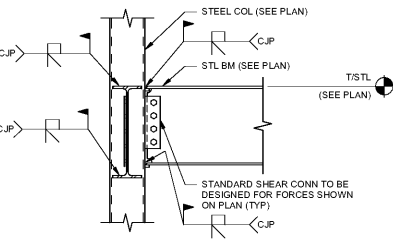
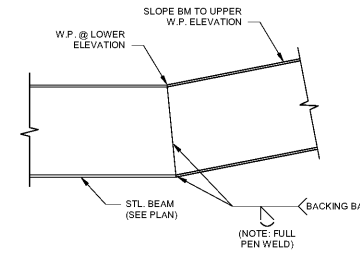


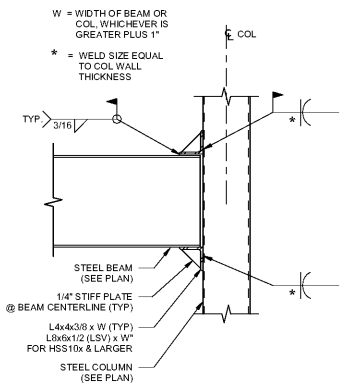
- NOTES:**
- FABRICATOR HAS THE OPTION TO USE ALTERNATE MOMENT CONNECTION. SUBMIT DETAIL FOR REVIEW AND ACCEPTANCE PRIOR TO SUBMITTING SHOP DRAWINGS. IF BOLTED FLANGE PLATES ARE PROPOSED, SUBMITTAL SHALL INCLUDE FLANGE EXTENSION PLATES OR ANGLES FOR DECK SUPPORT.
  - FABRICATOR SHOULD COORDINATE FIT-UP PLATES AS REQUIRED.
  - FOR TOP OF COLUMN CONDITION, EXTEND COLUMN AS REQUIRED FOR CONNECTION (2" MAX) AND PROVIDE A 3/4" CAP PLATE.
  - JOISTS FRAMING PERPENDICULAR INTO THIS COLUMN SHALL BEAR ON A STIFFENED SEAT ANGLE.



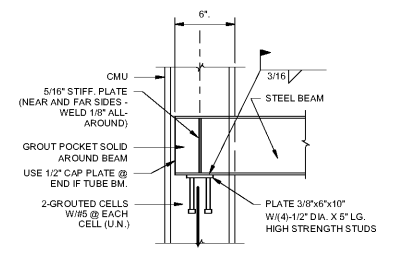
**TYPICAL WIDE FLANGE BEAM TO HSS COLUMN MOMENT CONNECTIONS**  
SCALE: 3/4" = 1'-0"  
1 S7.3



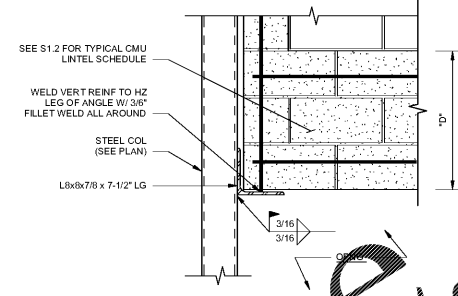
**TYPICAL BENT BEAM**  
SCALE: 1" = 1'-0"  
2 S7.3



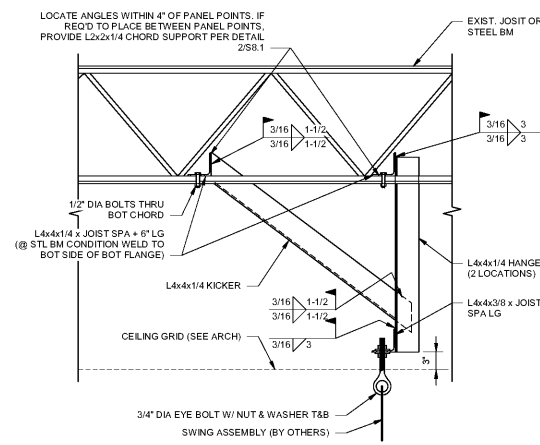
**"TYP TUBE BEAM TO COL CONN"**  
SCALE: 1" = 1'-0"  
3 S7.3



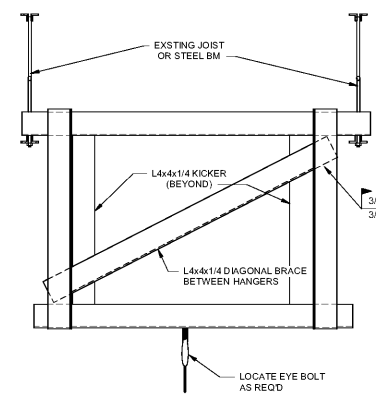
**"TYP. STEEL BEAM BEARING ON CMU OR CONC WALL"**  
SCALE: 1" = 1'-0"  
4 S7.3



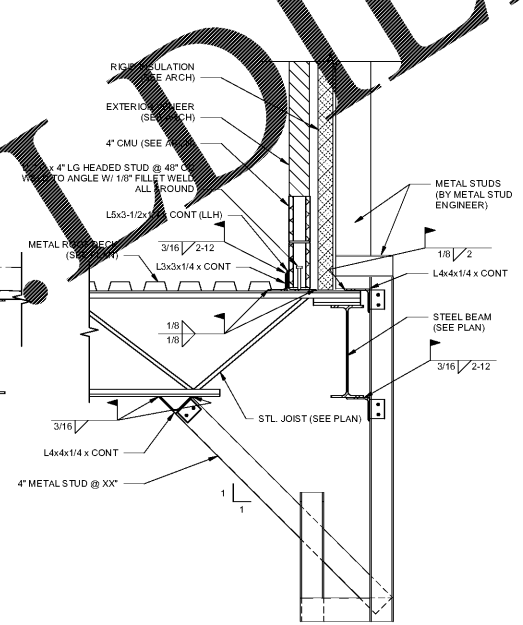
**CMU LINTEL SUPPORT @ COLUMNS**  
SCALE: 1" = 1'-0"  
5 S7.3



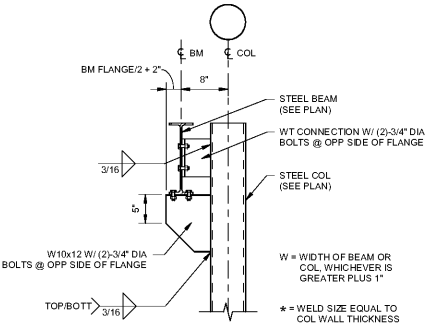
**FRMG-ST-SWING SUPPORT**  
SCALE: 1" = 1'-0"  
6 S7.3



**ROOF-ST-LOW POPUP 2.5 K**  
SCALE: 1" = 1'-0"  
7 S7.3



**ROOF-ST-LOW POP UP JST PERP**  
SCALE: 1" = 1'-0"  
8 S7.3



**"TYP OFFSET BEAM SEAT CONNECTION"**  
SCALE: 1" = 1'-0"  
9 S7.3

DRAWING ISSUE RECORD		
DATE	REVISIONS	NO.
11-1-18	ISSUED TO BID	

HARMONY LEAN AND LAY  
REPLACEMENT ELEMENTARY SCHOOL  
6528 FACTORY SHOALS RD SW  
FOR COBB COUNTY SCHOOL DISTRICT  
COBB COUNTY, GA  
CCSD PROJECT No. A004 / DOE FACILITY CODE

DATE: JUL 18 2018  
JOB NO: SHL-002-18  
DWG. BY: TUL  
CHK. BY: RMS

**cunningham forhand matthews moore**  
cunningham, forhand, matthews & moore, architects, inc. - 2011 manchester street, n.e. - atlanta, georgia 30324 - phone (404) 873-2152

**PES STRUCTURAL ENGINEERS**  
ADDRESS: 1632 Century Place NE, Suite 201, Atlanta, Georgia 30345  
PHONE: 770-457-5533 FAX: 770-457-8999 WEB: www.pesengineers.com  
PES PROJECT NUMBER: 0218161



Order Plans @