

DRAWING ISSUE RECORD		
DATE	REVISIONS	NO.
11-1-18	ISSUED TO BID	



HARMONY LEAN AND LAY  
 REPLACEMENT ELEMENTARY SCHOOL  
 6328 FACTORY SHOALS RD SW  
 COLLETSVILLE, GA 30116  
 FOR COBB COUNTY SCHOOLS DISTRICT  
 COBB COUNTY, GA  
 CCSD PROJECT No. A004 / DOE FACILITY CODE

DATE: JUL 16 2018

JOB NO. SHL-002-18

DWG. BY: TUL

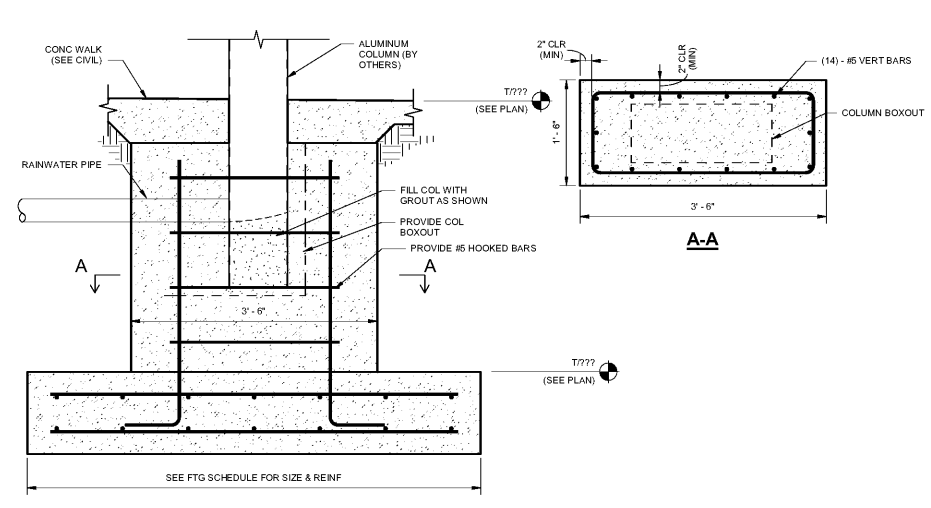
CHECK BY: RMS

DATE: JUL 16 2018

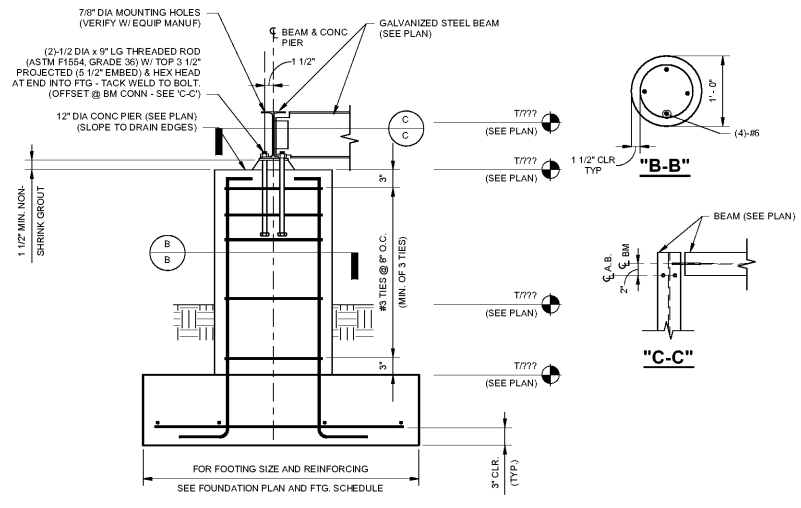
JOB NO. SHL-002-18

DWG. BY: TUL

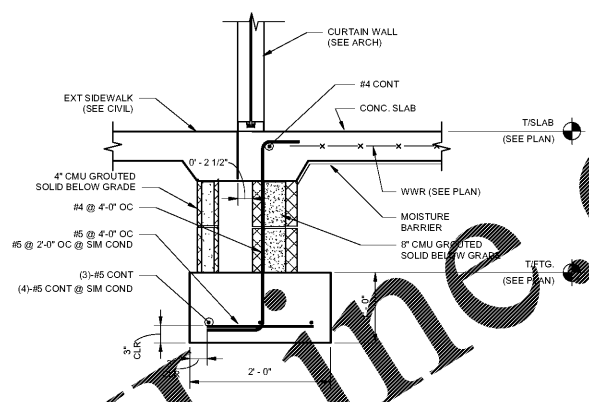
CHECK BY: RMS



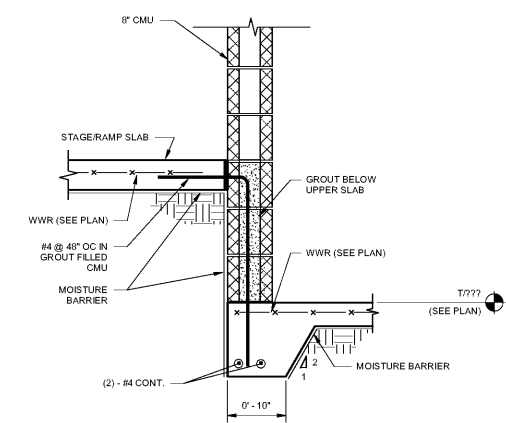
SECTION 1  
 SCALE: 1" = 1'-0"



SECTION 4  
 SCALE: 1" = 1'-0"

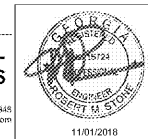
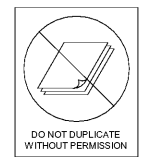


SECTION 2  
 SCALE: 1" = 1'-0"



SECTION 3  
 SCALE: 1" = 1'-0"

Order Plans @ www.LDILine.com



**PES** STRUCTURAL ENGINEERS  
 ADDRESS: 1682 Century Place NE, Suite 201, Atlanta, Georgia 30345  
 PHONE: 770-457-5533 FAX: 770-457-8099 WEB: www.pesengineers.com  
 PES PROJECT NUMBER: 0218161

cunningham forhand mattheus moore

cunningham, forhand, matthews & moore, architects, inc. - 2011 manchester street, n.e. - atlanta, georgia 30324 - phone (404) 873-2152

S6.3

11/01/2018