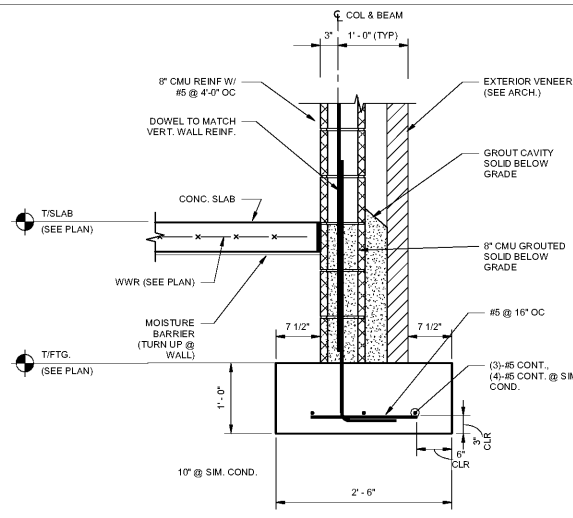
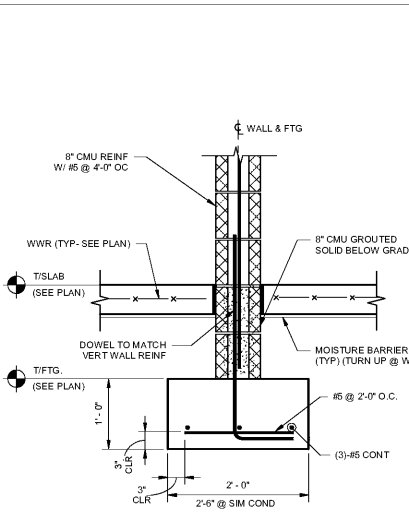


DRAWING ISSUE RECORD		
DATE	REVISIONS	NO.
11-1-18	ISSUED TO BID	

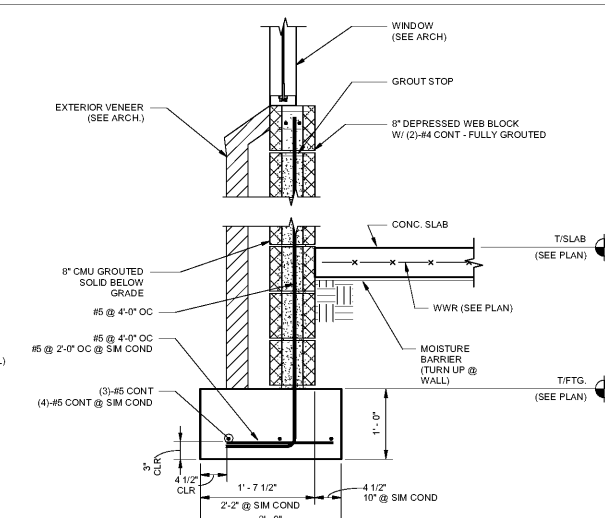
HARMONY LEAN AND LAY
REPLACEMENT ELEMENTARY SCHOOL
6528 FACTORY SHOALS RD SW
CUMMING COUNTY SCHOOL DISTRICT
CUMMING COUNTY, GA
CCSD PROJECT NO. A004 / DOE FACILITY CODE
DATE: JULY 18, 2019
JOB NO. SHL-002-18
DWG. BY: TUL
CHK. BY: RMS



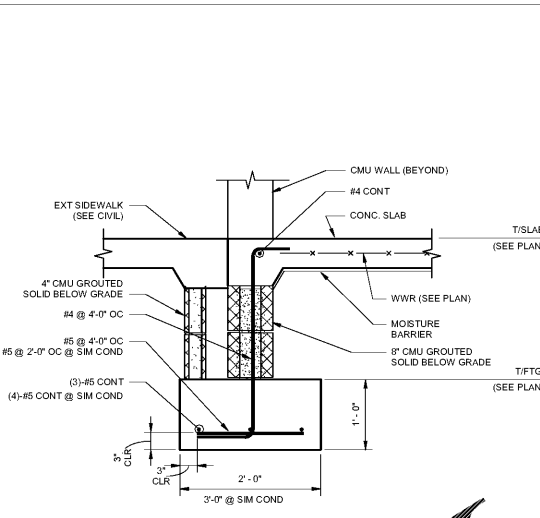
TYPICAL EXTERIOR WALL FOUNDATION @ CMU
SCALE: 1" = 1'-0"
S6.2



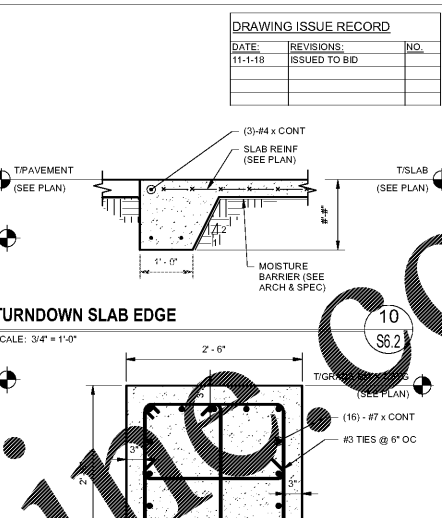
TYP INT 8\"/>



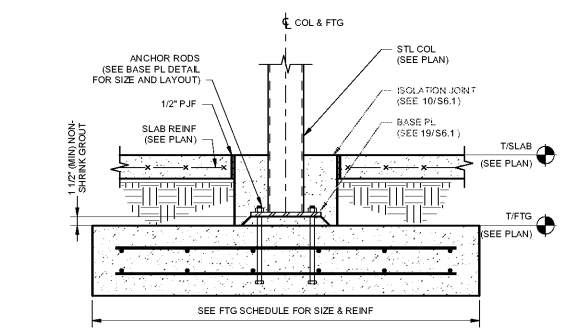
TYP TURNED DOWN SLAB @ DOOR OPNG
SCALE: 1" = 1'-0"
S6.2



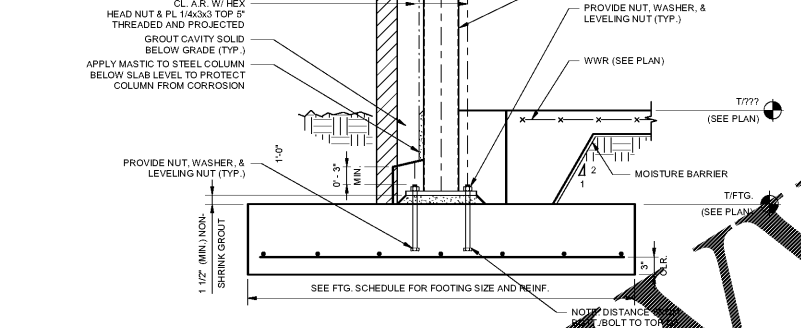
TURNDOWN SLAB EDGE
SCALE: 3/4\"/>



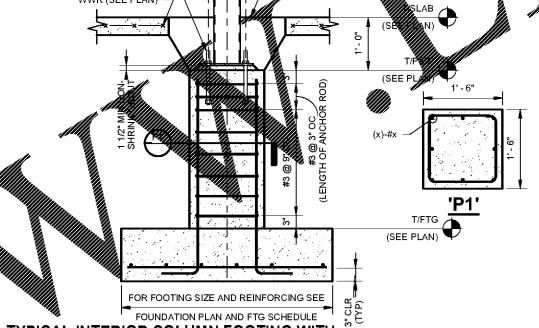
TYPICAL GRADE BEAM
SCALE: 1" = 1'-0"
S6.2



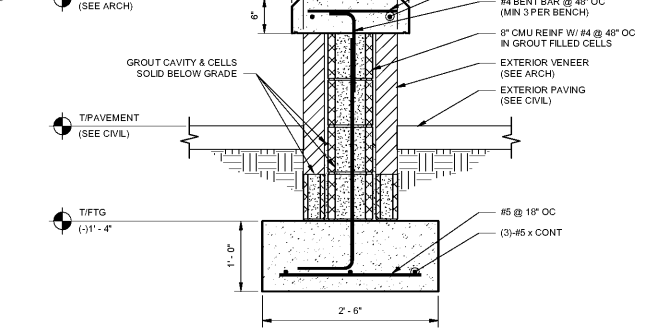
TYPICAL INTERIOR COLUMN FOOTING
SCALE: 1" = 1'-0"
S6.2



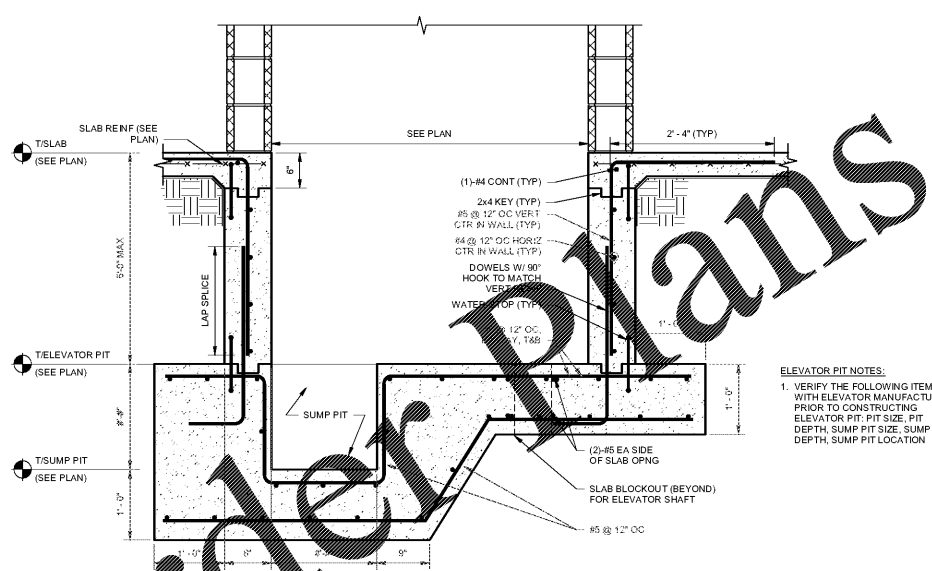
SECTION @ EXTERIOR COLUMN
SCALE: 1" = 1'-0"
S6.2



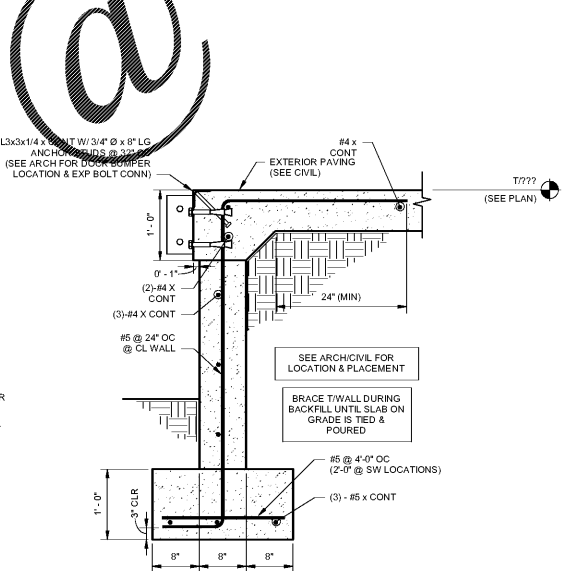
TYPICAL INTERIOR COLUMN FOOTING WITH CONCRETE PIER
SCALE: 3/4\"/>



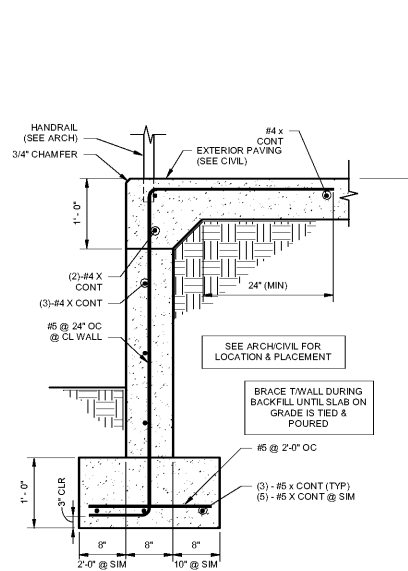
FDN @ SITTING WALL (SEE ARCH FOR LOCS)
SCALE: 1" = 1'-0"
S6.2



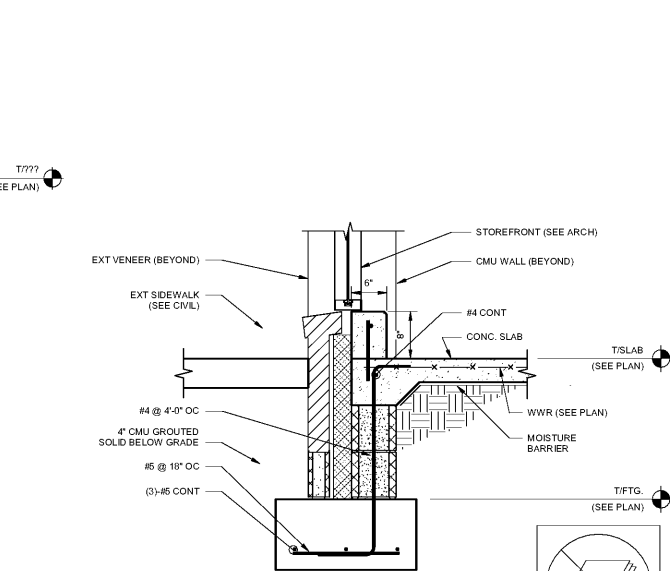
ELEVATOR PIT
SCALE: 1" = 1'-0"
S6.2



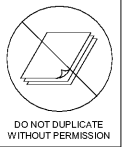
SECTION @ LOADING DOCK
SCALE: 1" = 1'-0"
S6.2



FDN-CO-LOADING DOCK RAIL
SCALE: 1" = 1'-0"
S6.2



FDN-CO-CURB @ STOREFRONT
SCALE: 1" = 1'-0"
S6.2



PES STRUCTURAL ENGINEERS
ADDRESS: 1932 Century Place NE, Suite 201, Atlanta, Georgia 30345
PHONE: 770.457.5533 FAX: 770.457.8989 WEB: www.pesengineers.com
PES PROJECT NUMBER: 2218161



cunningham forhand matthews moore
cunningham, forhand, matthews & moore, architects, inc. - 2011 manchester street, n.e. - atlanta, georgia 30324 - phone (404) 873-2152