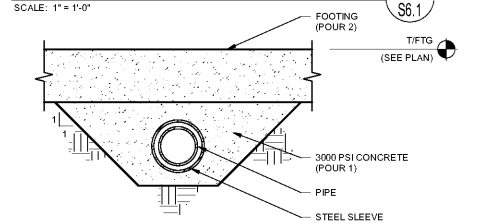
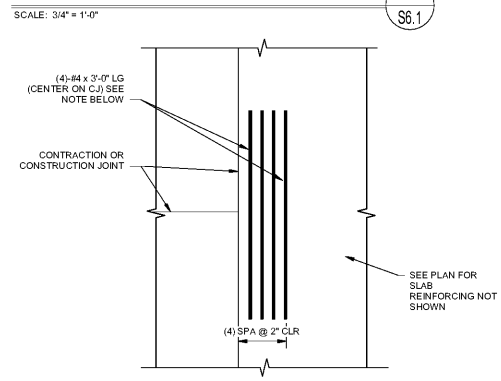


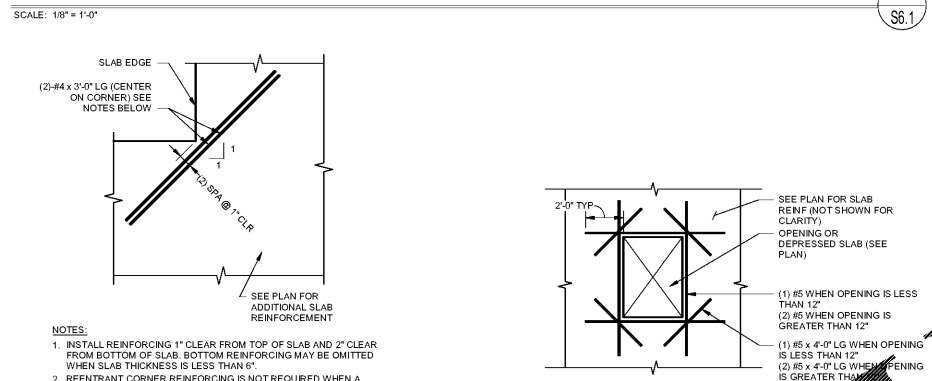
**TYPICAL FOOTING ADJACENT TO TRENCH**  
SCALE: 1" = 1'-0"



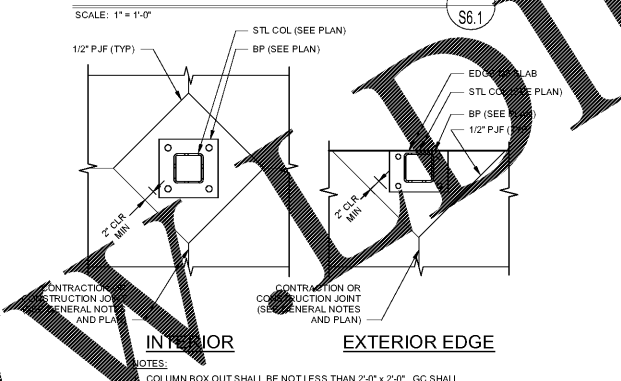
**TYPICAL PIPE UNDER FOOTING**  
SCALE: 3/4" = 1'-0"



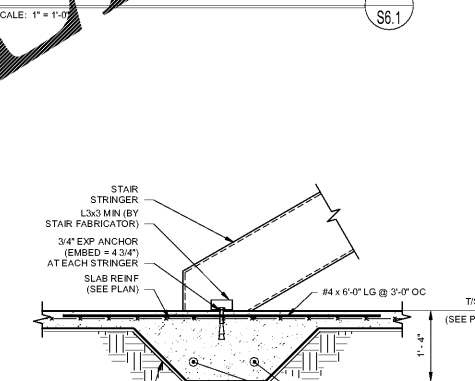
**TYPICAL CONTROL JOINT KEY PLAN**  
SCALE: 1/8" = 1'-0"



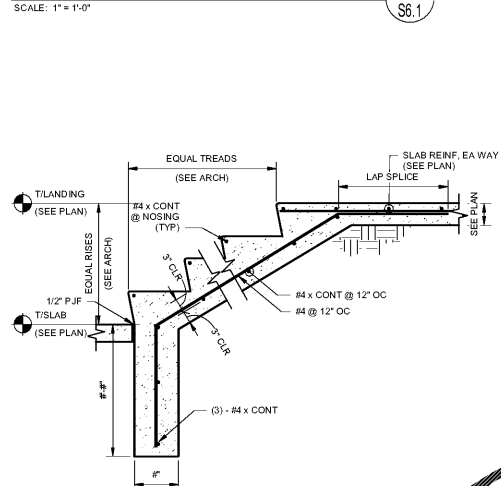
**TYPICAL DEPRESSED SLAB**  
SCALE: 1" = 1'-0"



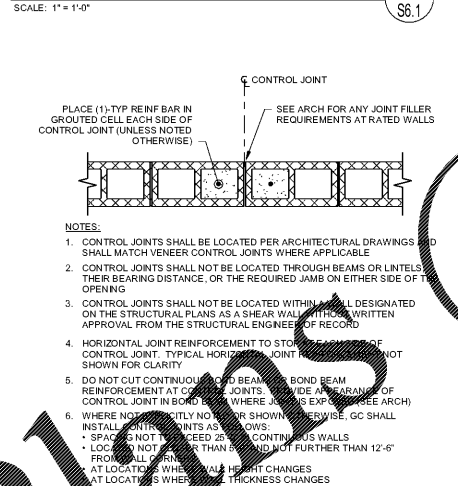
**TYP. CONSTRUCTION/CONTRACTION JOINT**  
SCALE: 1" = 1'-0"



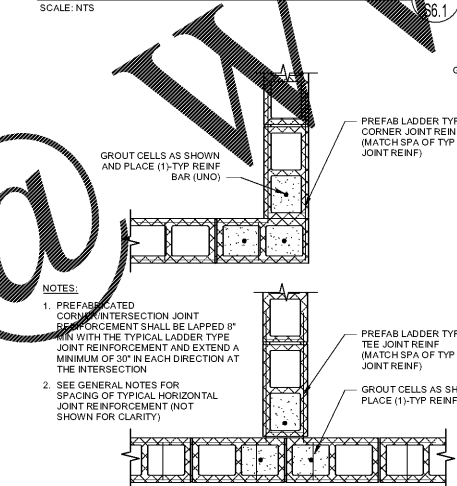
**TYP DEAD END CONTROL JOINT REINF**  
SCALE: 1" = 1'-0"



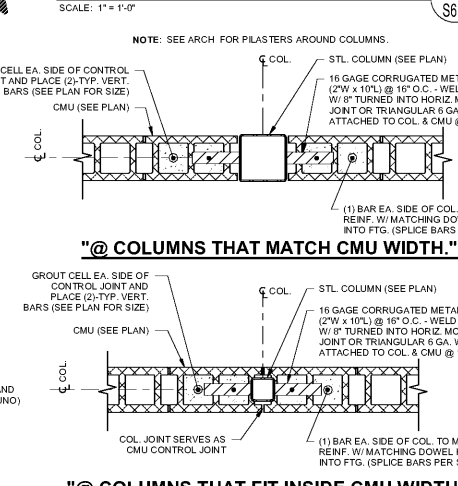
**TYPICAL SLAB CORNER REINFORCING**  
SCALE: 1" = 1'-0"



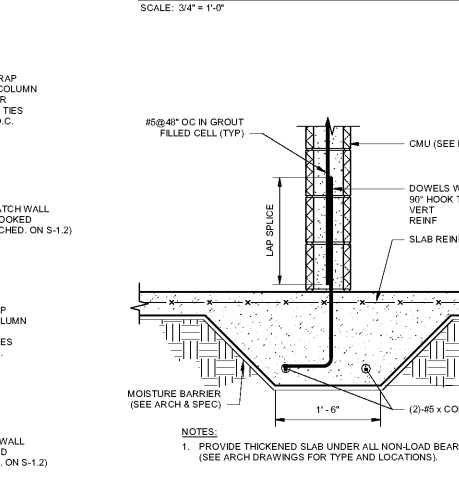
**TYPICAL ISOLATION JOINT**  
SCALE: 1" = 1'-0"



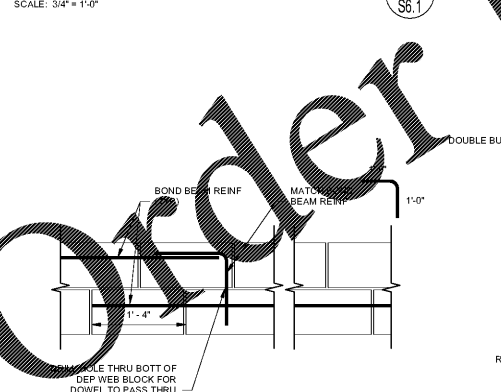
**TYPICAL THICKENED SLAB AT STAIR**  
SCALE: 3/4" = 1'-0"



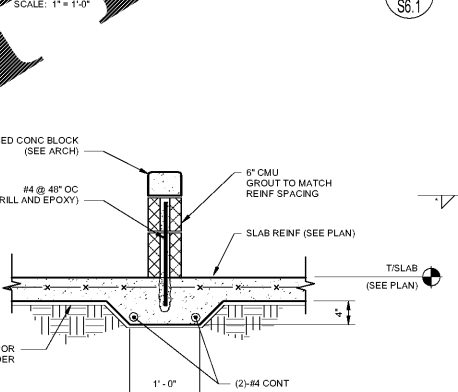
**TYPICAL THICKENED SLAB UNDER NON-LOAD BEARING MASONRY WALL**  
SCALE: 1" = 1'-0"



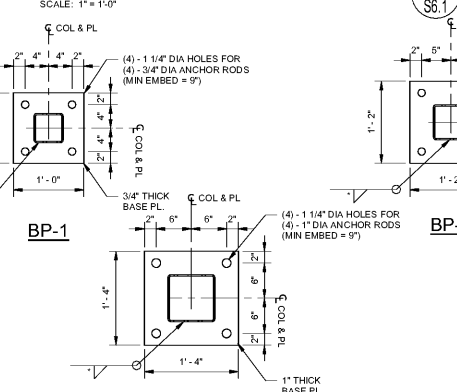
**TYPICAL STAIR ON GRADE**  
SCALE: 3/4" = 1'-0"



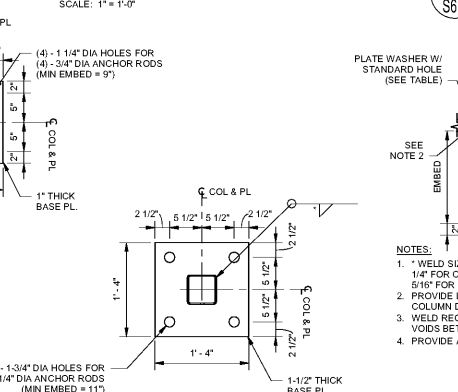
**TYPICAL CMU WALL CORNER/INTERSECTION REINF**  
SCALE: 1" = 1'-0"



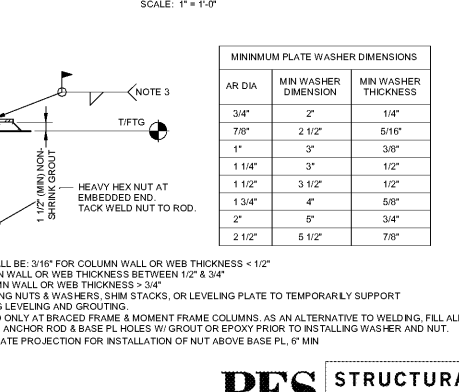
**TYPICAL THICKENED SLAB UNDER NON-LOAD BEARING MASONRY WALL**  
SCALE: 1" = 1'-0"



**TYPICAL THICKENED SLAB UNDER NON-LOAD BEARING MASONRY WALL**  
SCALE: 1" = 1'-0"



**TYPICAL THICKENED SLAB UNDER NON-LOAD BEARING MASONRY WALL**  
SCALE: 1" = 1'-0"



**TYP STEP IN MASONRY BOND BEAM**  
SCALE: 1" = 1'-0"



**SECTION @ SERVING WALL**  
SCALE: 1" = 1'-0"



**BASEPLATE & ANCHORAGE DETAILS**  
SCALE: 1" = 1'-0"



**TYPICAL THICKENED SLAB UNDER NON-LOAD BEARING MASONRY WALL**  
SCALE: 1" = 1'-0"



**TYPICAL THICKENED SLAB UNDER NON-LOAD BEARING MASONRY WALL**  
SCALE: 1" = 1'-0"



Order Plans @ WWWW@LINE.COM

DRAWING ISSUE RECORD		
DATE	REVISIONS	NO.
11-1-18	ISSUED TO BID	

HARMONY LEARN AND PLAY  
 REPLACEMENT ELEMENTARY SCHOOL  
 6326 FACTORY SHOALS RD SW  
 FOR COBB COUNTY SCHOOL DISTRICT  
 COBB COUNTY, GA  
 CCSD PROJECT NO. A004/DOE FACILITY CODE  
 JOB NO. SHL-002-18  
 DATE: JULY 18, 2019  
 DWG. BY: TUL  
 CHK. BY: RAS

cumingham forhandmatthewsmoore  
 cunningham, forhand, matthews & moore, architects, inc. - atlanta, georgia 30324 - phone (404) 873-2152

MINIMUM PLATE WASHER DIMENSIONS		
AR DIA	MIN WASHER DIMENSION	MIN WASHER THICKNESS
3/4"	2"	1/4"
7/8"	2 1/2"	5/16"
1"	3"	3/8"
1 1/4"	3"	1/2"
1 1/2"	3 1/2"	1/2"
1 3/4"	4"	5/8"
2"	5"	3/4"
2 1/2"	5 1/2"	7/8"

**PES STRUCTURAL ENGINEERS**  
 ADDRESS: 1682 Century Place NE, Suite 201, Atlanta, Georgia 30345  
 PHONE: 770.457.5833 FAX: 770.457.8989 WEB: www.pesengineers.com  
 PES PROJECT NUMBER: 0218161

