

**CANTILEVER RETAINING WALLS SCHEDULE
(WALLS RETAINING LEVEL BACKFILL)**

"H"	"Aw"	"C"	"W"	"AF"	"AK"	"DK"	"DWLS" (DWLS)	"BARS" (BARS)	"BARS" (BARS)	"BARS" (BARS)	"BARS" (BARS)	"BARS" (BARS)
3'	0"	1'-0"	2'-8"	12"	N/A	N/A	#5 @ 18"	#5 @ 18"	N/A	#4 @ 12"	#4 @ 18"	6-#4
5'	10"	1'-8"	3'-9"	12"	N/A	N/A	#5 @ 16"	#5 @ 16"	#4 @ 12"	#4 @ 18"	10-#4	N/A
7'	10"	3'-8"	7'-0"	12"	N/A	N/A	#5 @ 14"	#5 @ 14"	#4 @ 10"	#4 @ 16"	13-#5	N/A
9'	12"	3'-6"	7'-0"	16"	12"	1'-0"	#5 @ 10"	#5 @ 10"	#5 @ 16"	#5 @ 14"	13-#5	#5 @ 14"
11'	12"	4'-0"	8'-0"	16"	12"	1'-2"	#5 @ 12"	#5 @ 12"	#5 @ 16"	#5 @ 14"	17-#5	#5 @ 14"
13'	18"	4'-6"	10'-0"	16"	12"	1'-4"	#7 @ 12"	#5 @ 12"	#5 @ 16"	#5 @ 12"	20-#5	#5 @ 14"
15'	18"	6'-0"	11'-9"	20"	12"	1'-4"	#7 @ 10"	#5 @ 10"	#5 @ 16"	#5 @ 12"	24-#5	#5 @ 12"
17'	18"	6'-0"	12'-5"	20"	12"	2'-0"	#7 @ 8"	#5 @ 8"	#5 @ 16"	#5 @ 12"	24-#5	#5 @ 10"

**CANTILEVER RETAINING WALLS SCHEDULE
(WALLS RETAINING SLOPING BACKFILL)**

"H"	"Aw"	"C"	"W"	"AF"	"AK"	"DK"	"DWLS" (DWLS)	"BARS" (BARS)	"BARS" (BARS)	"BARS" (BARS)	"BARS" (BARS)	"BARS" (BARS)
3'	0"	1'-0"	2'-8"	12"	N/A	N/A	#5 @ 18"	#5 @ 18"	N/A	#4 @ 12"	#4 @ 18"	6-#4
5'	10"	1'-8"	3'-9"	12"	N/A	N/A	#5 @ 16"	#5 @ 16"	#4 @ 12"	#4 @ 18"	10-#4	N/A
7'	10"	2'-8"	5'-6"	12"	12"	1'-0"	#5 @ 14"	#5 @ 14"	#4 @ 10"	#4 @ 14"	11-#4	#4 @ 14"
9'	12"	3'-0"	7'-0"	12"	12"	1'-2"	#5 @ 14"	#5 @ 14"	#4 @ 16"	#4 @ 14"	13-#5	#5 @ 14"
11'	12"	5'-0"	9'-6"	16"	12"	1'-4"	#5 @ 9"	#5 @ 12"	#4 @ 16"	#4 @ 14"	18-#5	#5 @ 14"
13'	18"	5'-6"	12'-0"	18"	12"	1'-5"	#7 @ 10"	#5 @ 16"	#4 @ 16"	#4 @ 12"	22-#5	#5 @ 12"
15'	18"	7'-0"	14'-6"	18"	12"	2'-0"	#8 @ 8"	#5 @ 8"	#4 @ 16"	#4 @ 12"	26-#5	#5 @ 10"
17'	18"	7'-0"	14'-5"	18"	12"	2'-0"	#8 @ 8"	#5 @ 8"	#4 @ 16"	#4 @ 12"	26-#5	#5 @ 10"

**CANTILEVER RETAINING WALLS SCHEDULE
(DETENTION POND WALLS A1 & E)**

"H"	"Aw"	"C"	"W"	"AF"	"AK"	"DK"	"DWLS" (DWLS)	"BARS" (BARS)	"BARS" (BARS)	"BARS" (BARS)	"BARS" (BARS)	"BARS" (BARS)
5'	0"	1'-0"	3'-8"	12"	2'-6"	2'-6"	#4 @ 12"	#4 @ 12"	#4 @ 12"	#4 @ 12"	#4 @ 12"	#5 @ 12"
7'	0"	1'-6"	4'-8"	16"	2'-6"	2'-6"	#4 @ 10"	#4 @ 10"	#4 @ 12"	#4 @ 12"	#4 @ 10"	#5 @ 10"
9'	12"	2'-9"	6'-3"	16"	2'-6"	2'-6"	#5 @ 10"	#5 @ 10"	#4 @ 10"	#5 @ 12"	#4 @ 10"	#5 @ 10"
11'	16"	3'-9"	8'-1"	16"	2'-6"	2'-6"	#5 @ 10"	#5 @ 10"	#5 @ 10"	#5 @ 10"	#5 @ 10"	#5 @ 10"
13'	18"	4'-6"	10'-9"	18"	2'-6"	2'-6"	#7 @ 10"	#5 @ 10"	#5 @ 10"	#5 @ 12"	#5 @ 10"	#5 @ 10"
15'	18"	6'-0"	13'-6"	24"	2'-6"	2'-6"	#8 @ 10"	#5 @ 10"	#5 @ 10"	#5 @ 12"	#7 @ 10"	#5 @ 10"

DRAWING ISSUE RECORD

DATE	REVISIONS	NO.
11-1-18	ISSUED TO BID	

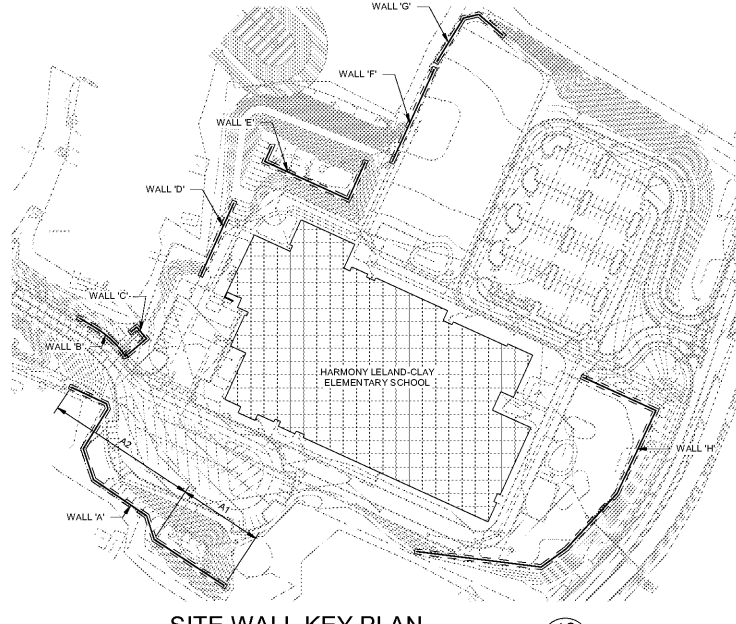
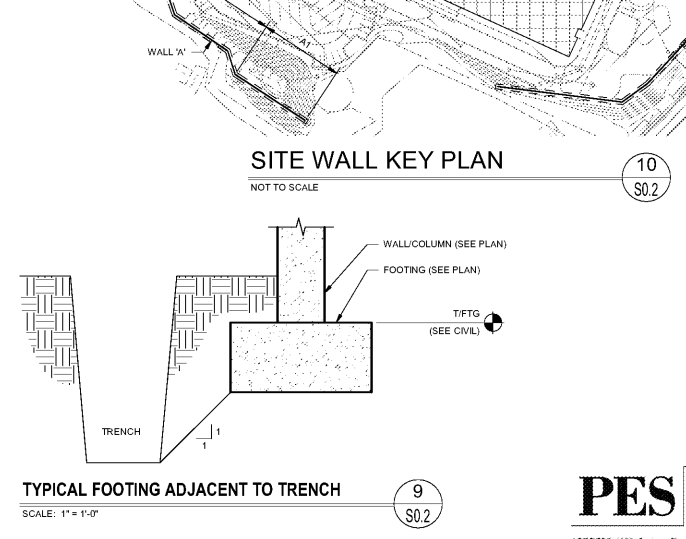
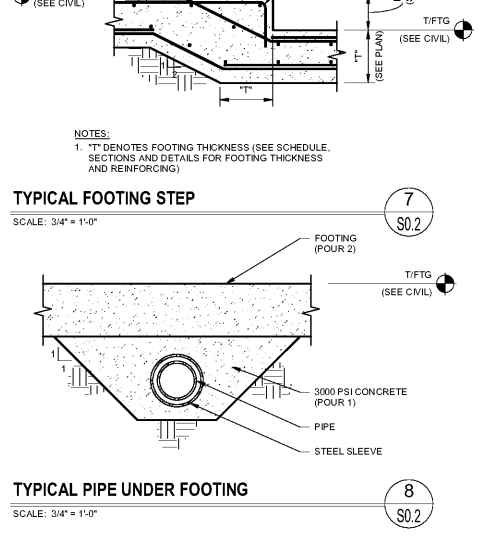
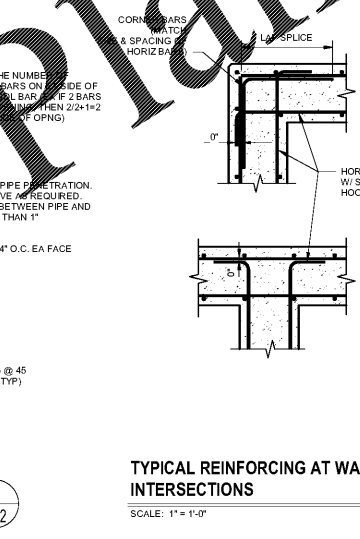
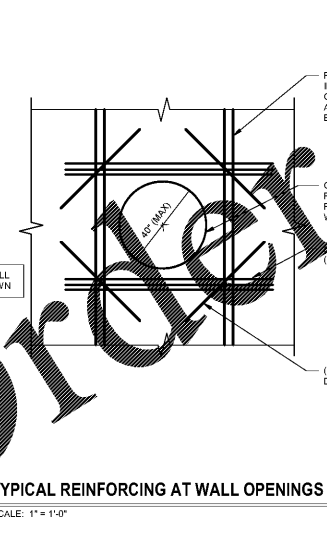
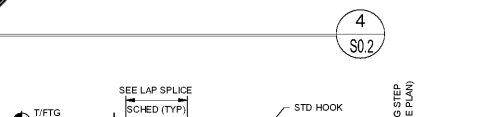
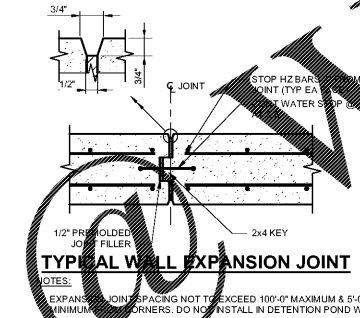
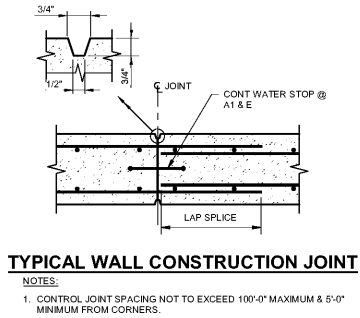
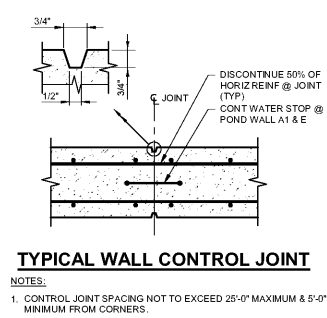
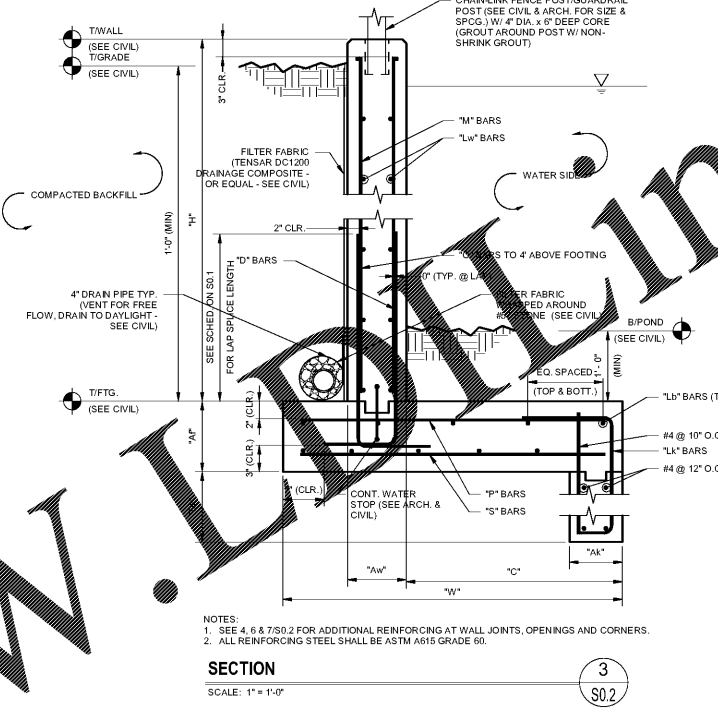
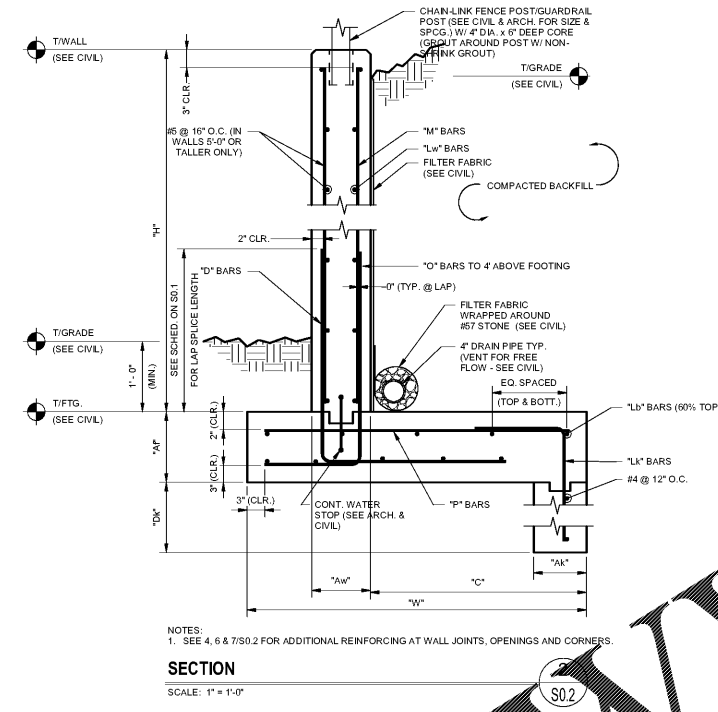
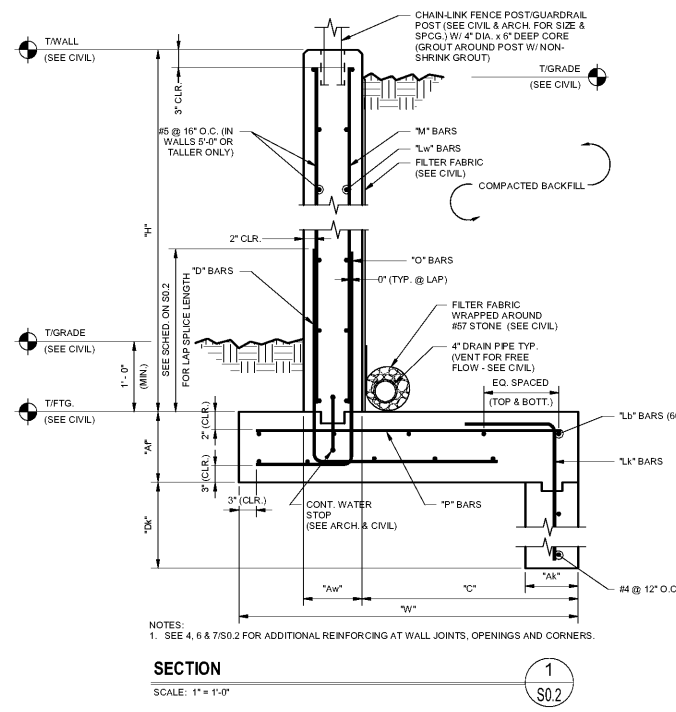
**HARMONY LELAND-CLAY
REPLACEMENT ELEMENTARY SCHOOL**
6528 FACTORY SHOALS RD. SW
CUMMING, GA 30141
FOR COBB COUNTY SCHOOL DISTRICT
Cobb County, GA
CCSD PROJECT No. A004 / DOE FACILITY CODE

DATE: JULY 18, 2018
JOB NO.: SHL-002-18
DWG. BY: TUL
CHK. BY: RMS

PHONE (404) 873-2152
cunningham, forhand, matthews & moore, architects, inc. - 2011 manchester street, n.e. - atlanta, georgia

cunningham forhand matthews moore

S0.2



Order Plans

PES STRUCTURAL ENGINEERS
ADDRESS: 1682 Century Place NE, Suite 201, Atlanta, Georgia 30345
PHONE: 770-457-5833 FAX: 770-457-9099 WEB: www.pesengineers.com
PES PROJECT NUMBER: 0218181



11/01/2018