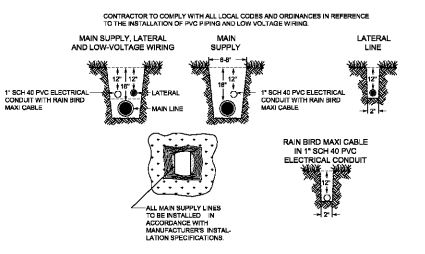
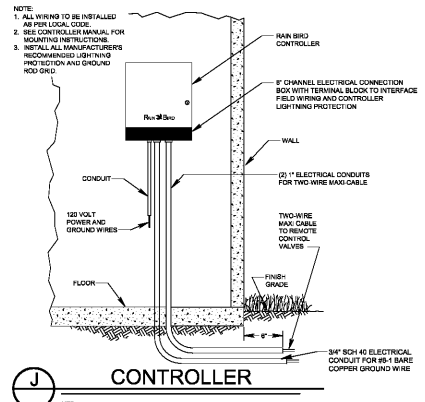


| DRAWING ISSUE RECORD | | |
|----------------------|--------------|-----|
| DATE | REVISIONS | NO. |
| 11-1-18 | ISSUE TO BID | |
| | | |
| | | |

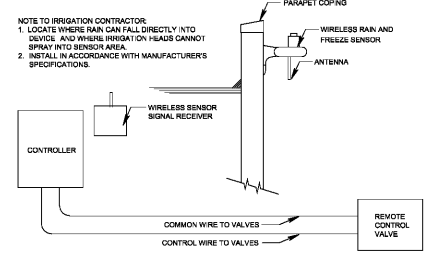
NOTE:
ALL VALVE BOXES SHALL BE BLACK IN COLOR



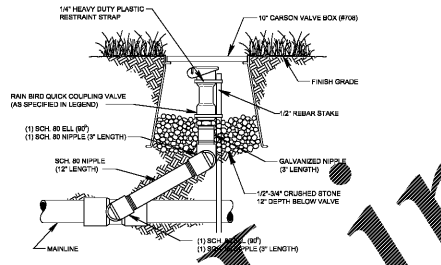
I TRENCHING
NTS



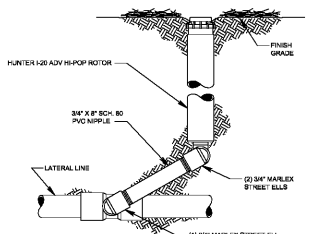
J CONTROLLER
NTS



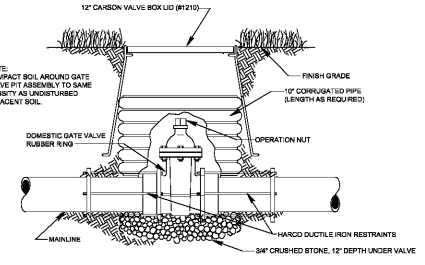
K RAIN SENSOR
NTS



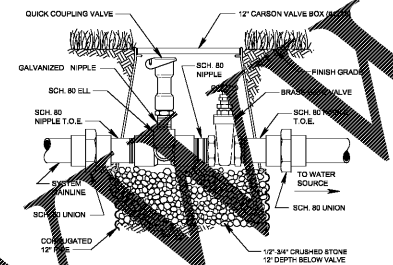
L QUICK COUPLING VALVE
NTS



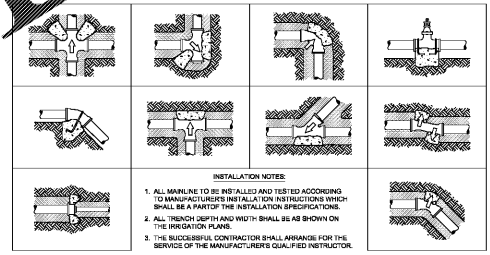
M SHRUB ROTOR
NTS



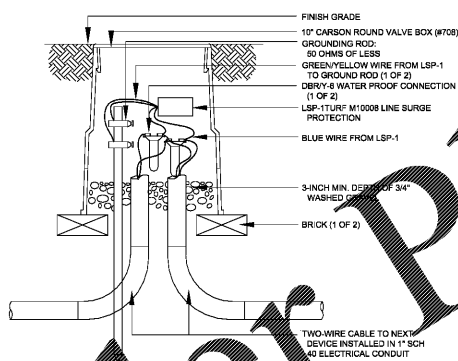
N ISOLATION VALVE
NTS



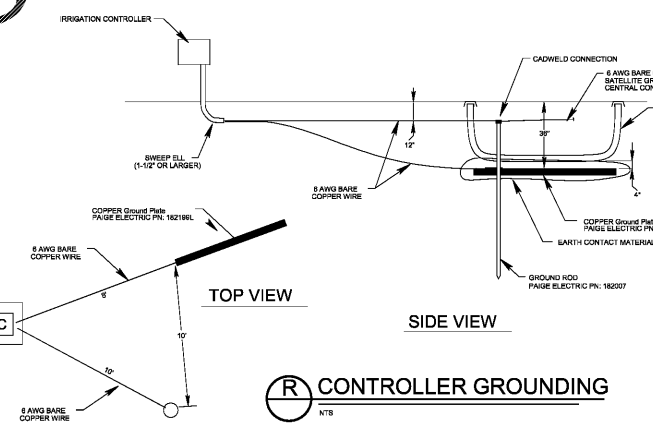
O WINTERIZATION ASSEMBLY
NTS



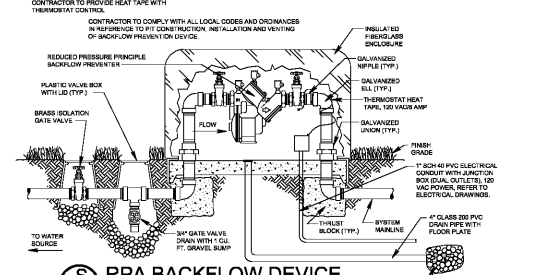
P THRUST BLOCK
NTS



Q SURGE PROTECTION TO TWO-WIRE PATH
NTS



R CONTROLLER GROUNDING
NTS



S RPA BACKFLOW DEVICE
NTS

DO NOT DUPLICATE WITHOUT PERMISSION

cunningham forehand matthews & moore
 IRRIGATION DETAILS
 HARMONY ELEMENTARY SCHOOL
 REPLACEMENT ELEMENTARY SCHOOL
 6326 FACTORY SQUARE NORTH
 HAMILTON, GA 30176
 FOR COBB COUNTY, GA DISTRICT
 COBB COUNTY, GA
 CCSD PROJECT No. A004 / DOE FACILITY
 DATE: 2018-10-12
 SHEET NO. SH-002-18
 DATE: 2018-10-12
 SCALE: 1/8" = 1'-0"