

DRAWING ISSUE RECORD		
DATE	REVISION	NO.
11-1-88	ISSUE TO BID	

SITE WORK CONSTRUCTION DETAILS

HARMONY LELAND PLAY  
REPLACEMENT ELEMENTARY SCHOOL  
6336 FACTORY SHOALS RD  
MABLETON, GA 30050  
FOR COBB COUNTY SCHOOL DISTRICT  
CUBAN PROJECT NO. 14004 / JOSE FACULTY CENTER

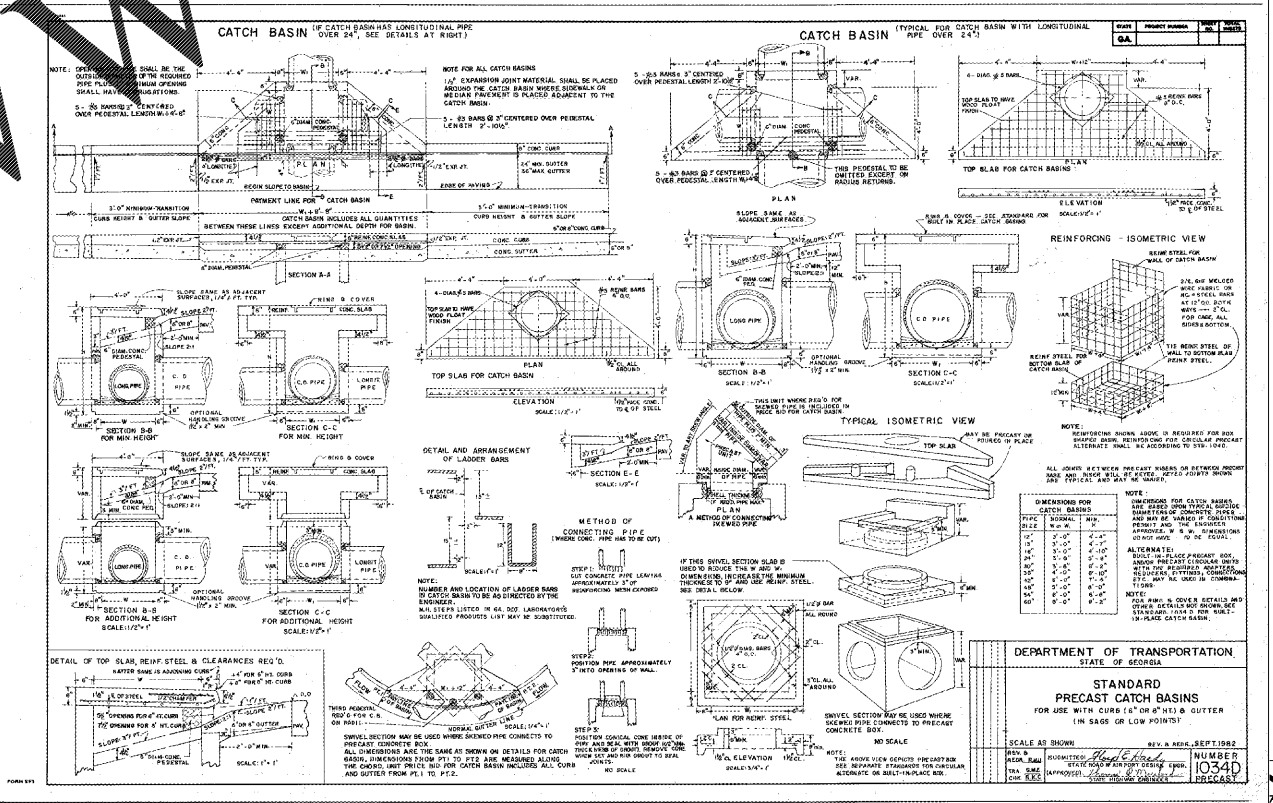
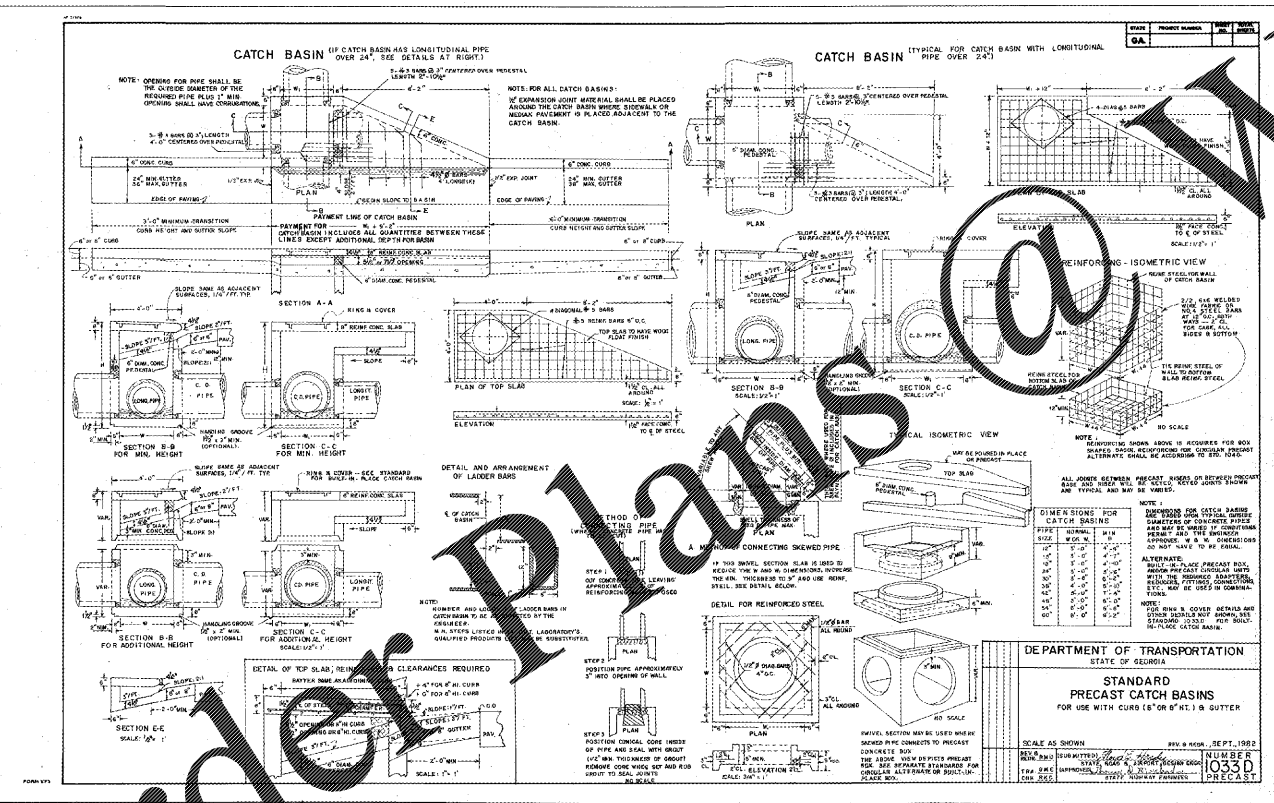
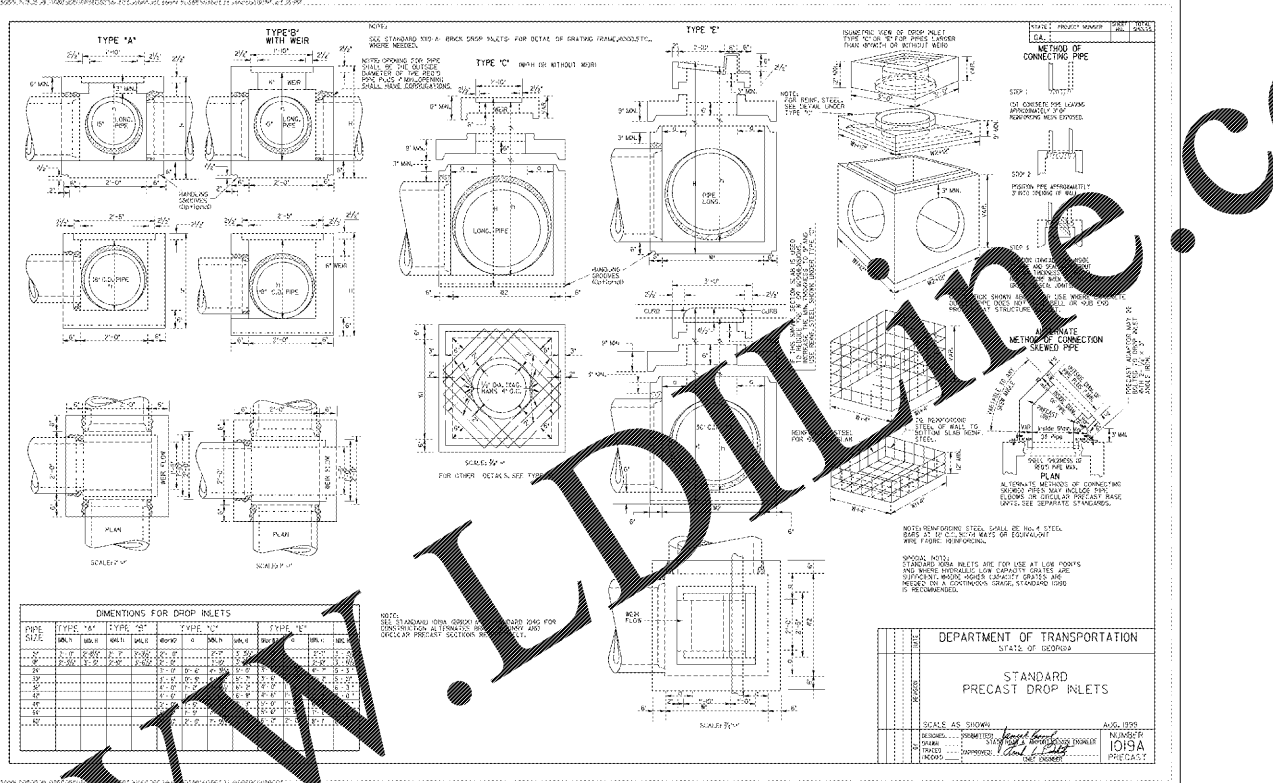
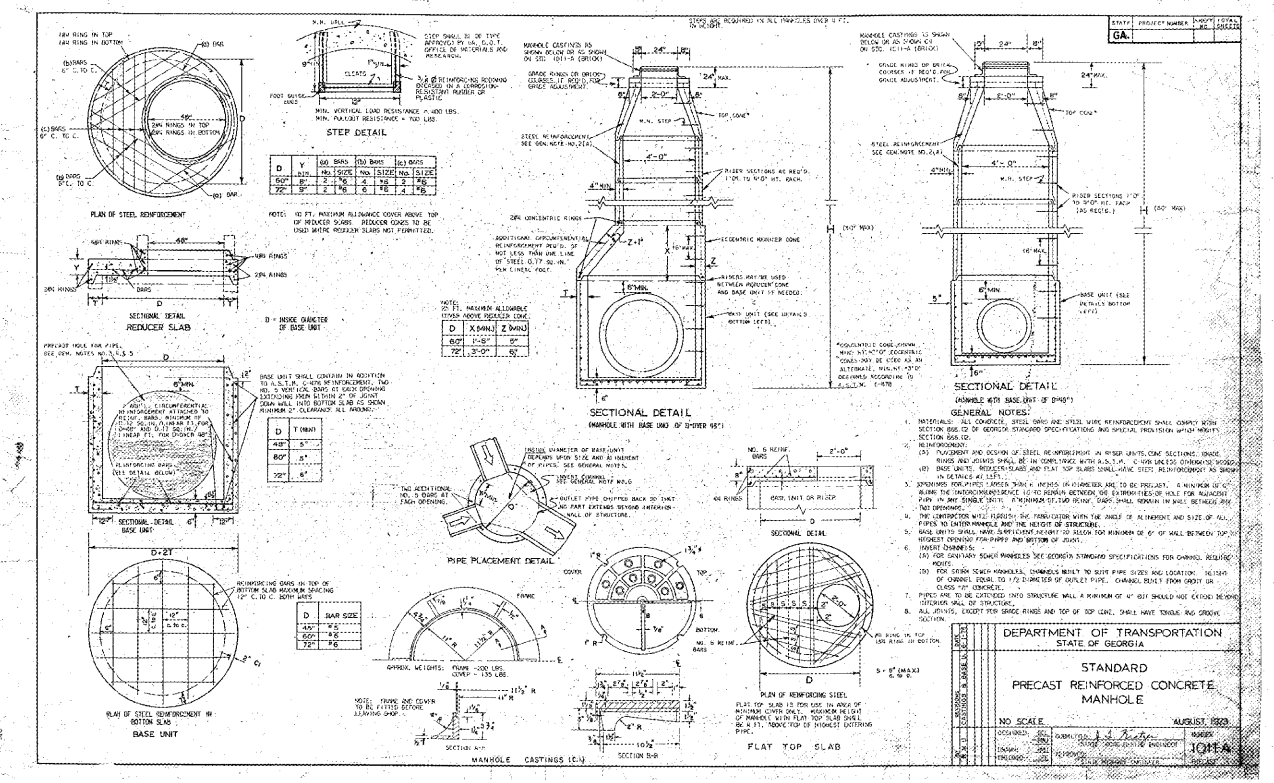
DATE 2/26/88-01  
JOB NO. 81-1069-18  
DRAWN BY MD  
CHECKED BY MB

DATE 2/26/88-01  
JOB NO. 81-1069-18  
DRAWN BY MD  
CHECKED BY MB

cunningham, forhand, matthews & moore, architects, inc. - 2011 manchester street, n.e. - atlanta, georgia 30324 - phone (404) 873-2152

Order Plans @ [www.lidilines.com](http://www.lidilines.com)

C7.5



PRIMARY PERMITTEE/  
24 HR CONTACT

COBB COUNTY SCHOOL DISTRICT  
440 GLOVER ST  
MARIETTA, GA 30066  
CONTACT: MR. TROY MORRIS  
PHONE: 478-439-5864

