

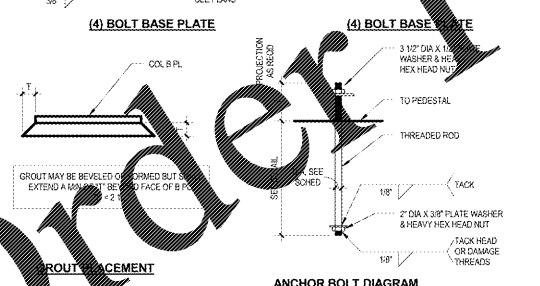
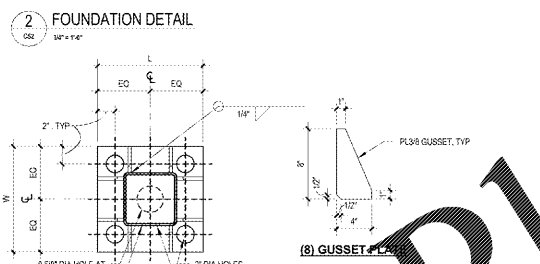
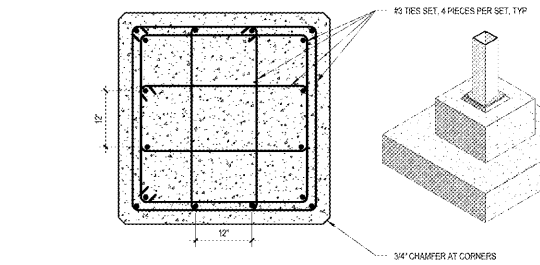
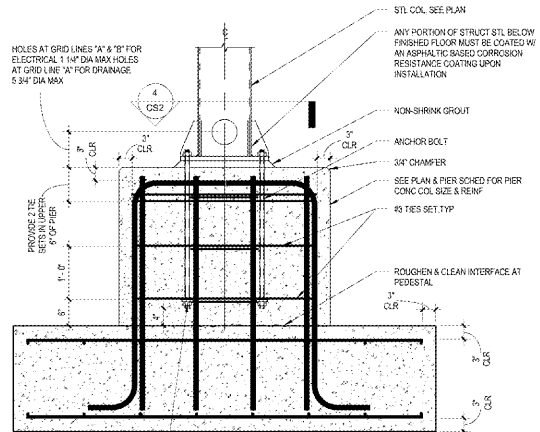
FOUNDATION GENERAL NOTES
 1. FOOTINGS HEREIN ARE RELATIVE TO ELEVATION OF 0'-0". THE TOP OF ALL FOOTINGS SHALL BE THUS ± 0'. TYP UON
 2. ENCASE ALL BASE PLATES W/ 3000 PSI CONC OR GROUT, MIN 2" THICK ALL AROUND & ON TOP OF W/ 2" CLR TO TOP OF BOLTS

STRUCTURAL - FOUNDATION SCHEDULE					
MARK	LENGTH	WIDTH	FOUNDATION THICKNESS	TOP REINF	BOTTOM REINF
FBS	8'-2"	6'-3"	2'-4"	Ø#8 E9	Ø#8 E9

STRUCTURAL - CONCRETE PIER SCHEDULE					
MARK	SIZE	VERT REINF	TIES	NOTES	
P1	48" x 48"	Ø#8 HARRIS	Ø#8 TIES	SEE DETAIL / SCHED FOR B.P. INFO	

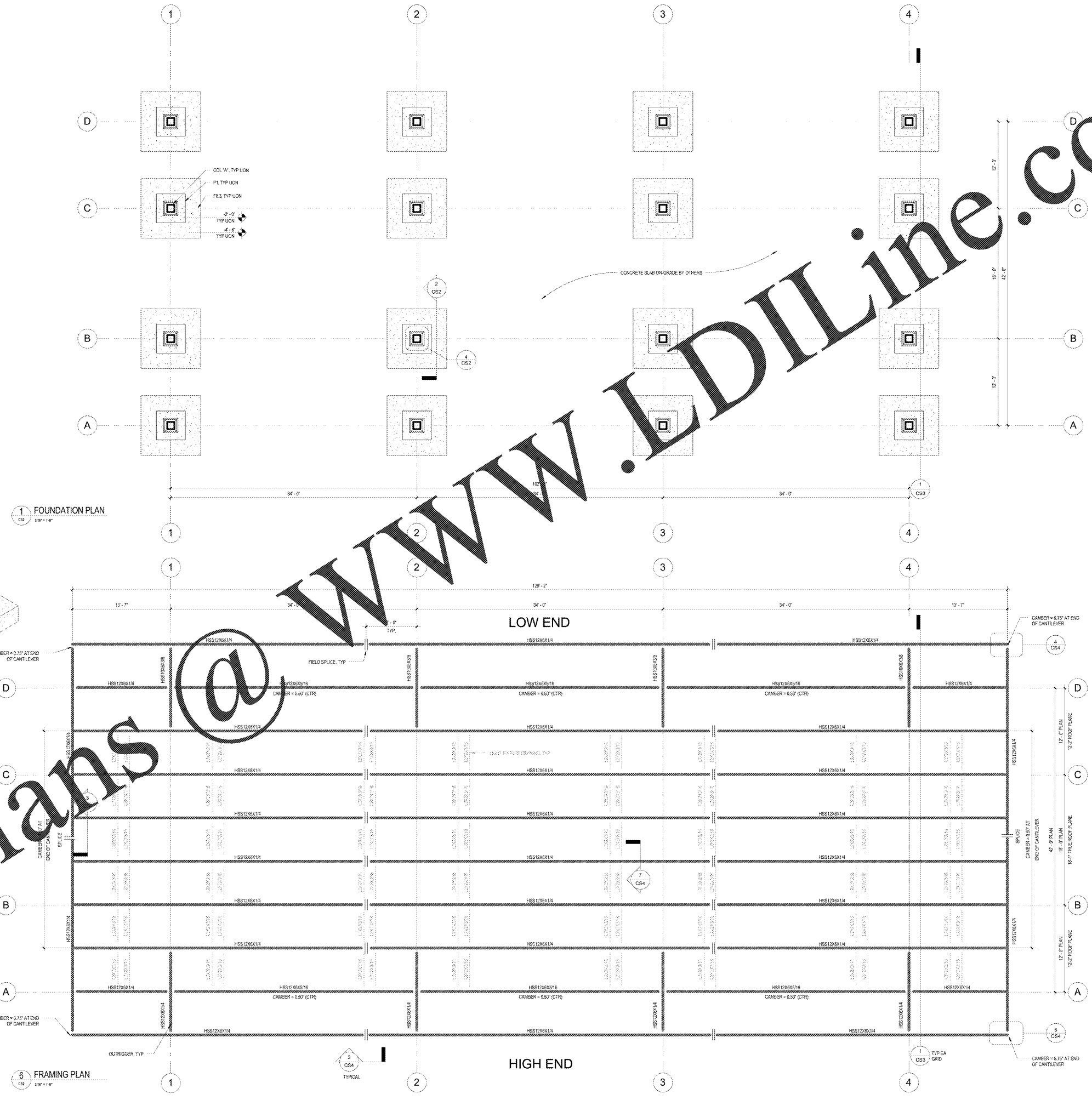
STRUCTURAL - STEEL COLUMN SCHEDULE					
MARK	COL. "W"	TYPE	COLUMN BASE PLATE	NOTES	
COL. "W"	HSS12X8X1/4	A	A	SEE DETAIL / SCHED FOR B.P. INFO	

STRUCTURAL - COLUMN BASE PLATE SCHEDULE					
MARK	LENGTH	WIDTH	PLATE THICKNESS	MATERIAL	ANCHOR BOLTS
B.P.	13'-4"	11'-2"	1.33"	A572 GR. 50 (W/ 1/2" DIA. THREADED HEADED RODS (ASTM F1554 GR. 36 (S1))	Ø#8 TIES SET TYP



ROUTING
 NOTES:
 1. SEE COL. SCHED FOR WIDTH "W", LENGTH "L", & THICKNESS "T"

4 GEN BASE PLATE AND ANCHOR BOLT INFO
 5/4 11/2" x 11/2"



1 FOUNDATION PLAN
 5/4 11/2" x 11/2"

2 FOUNDATION DETAIL
 5/4 11/2" x 11/2"

6 FRAMING PLAN
 5/4 11/2" x 11/2"

WWW.EDLine.com

Order Plans @

Edwards & Peterson
 Engineers Planners
 Architects
 1300 Prospect Avenue
 Fort Lauderdale, FL 33314
 Phone: 954.341.1111
 Fax: 954.341.1112
 www.edp.com

CLIENT NAME
 WAWA
 280 WEST BALTIMORE PIKE
 WAWA, PENNSYLVANIA 19053

PROJECT NAME
 WAWA STACKED 8 GAS CANOPY 2018.01 STORE #5275-LIT
 9021 STATE ROAD 52
 HUDSON, FL 34689

Revision Schedule	
No.	Description
1	PRELIMINARY SET (03/23/2018)
2	REVISED SET (04/18/2018)
3	REVISED SET (04/18/2018)
4	REVISED SET (04/18/2018)

PROJECT NO. 210102
DATE 03/24/2017
DESIGNER JAC
CHECKED JAC

CS2

FOUNDATION & FRAMING PLAN AND NOTES