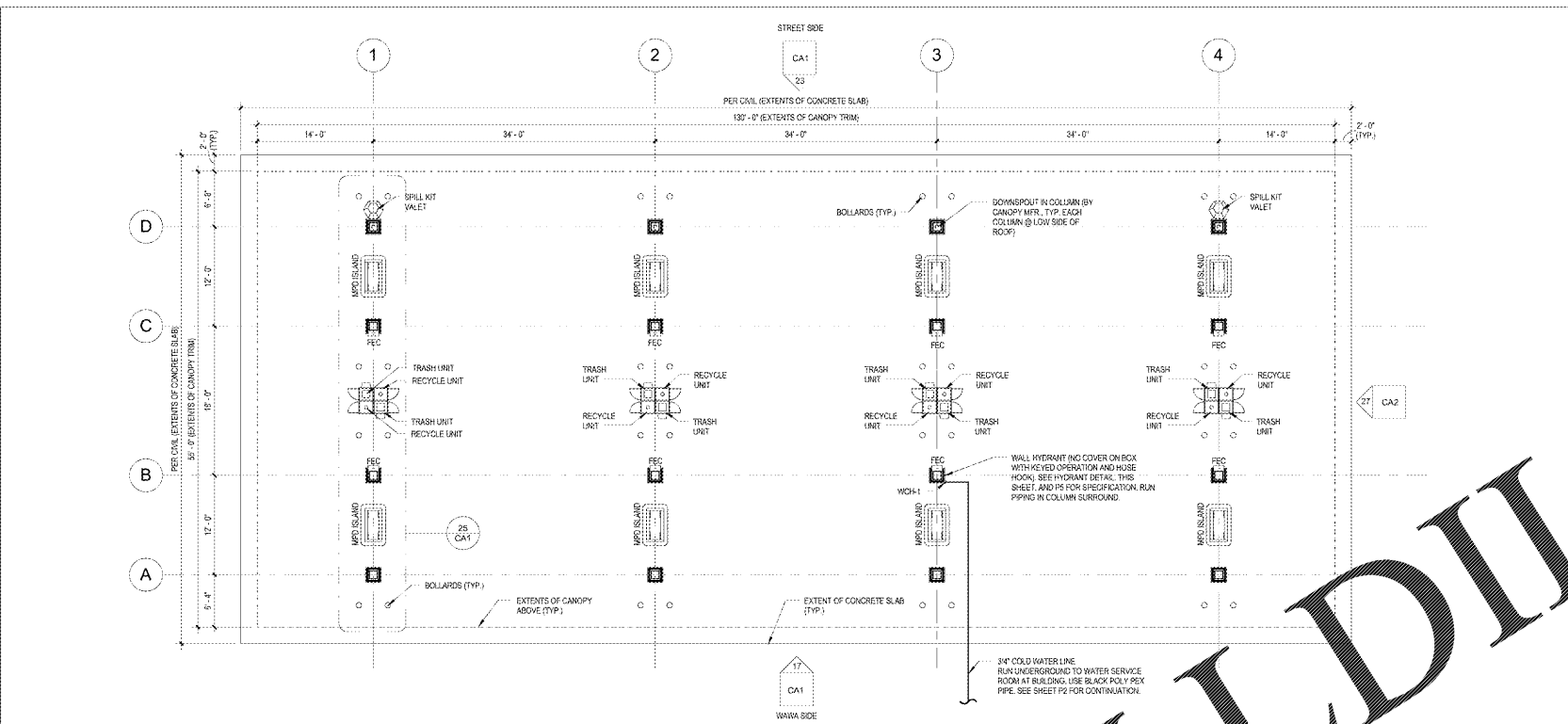
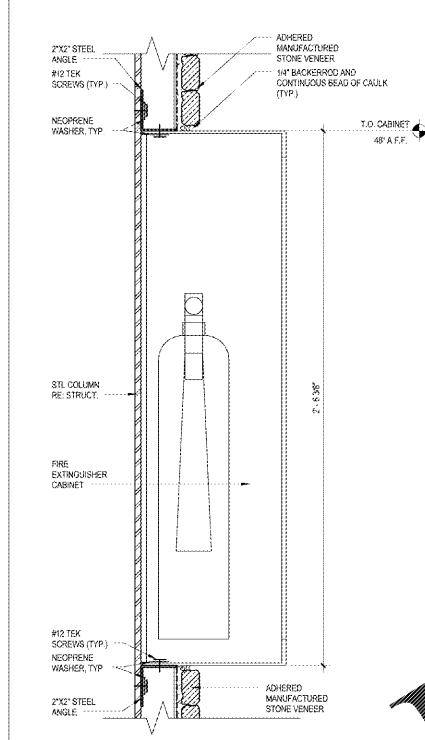


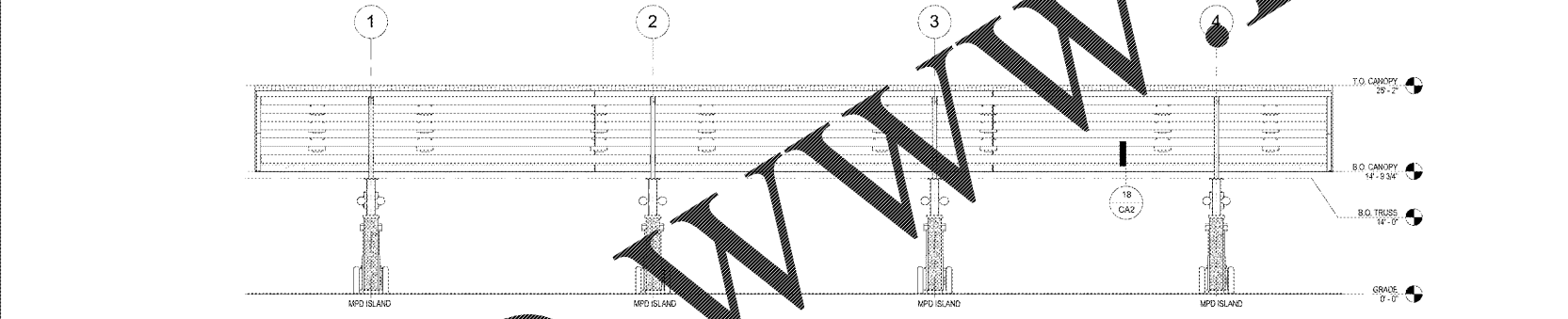
12 COLUMN DETAIL  
CA1 13'-0" x 14'-0"



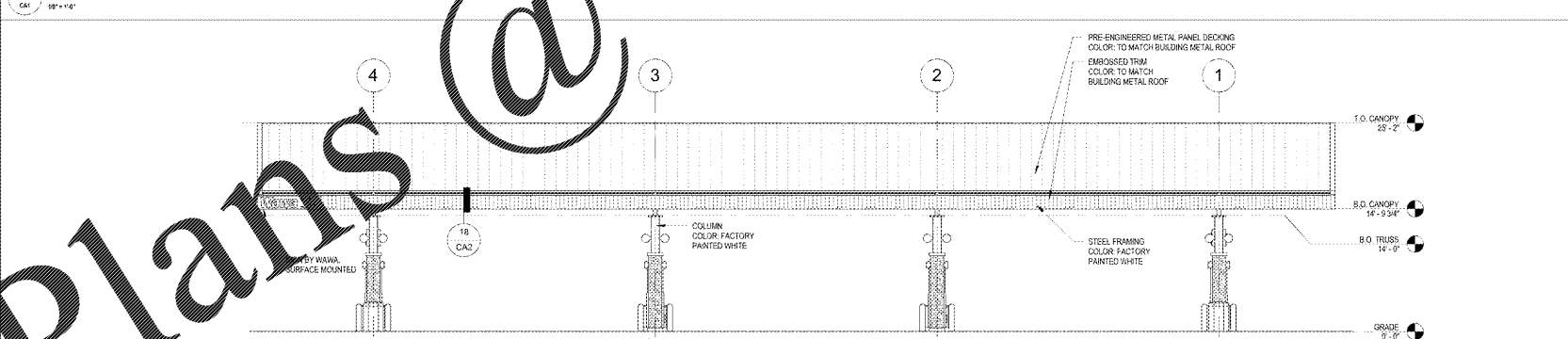
11 CANOPY FLOOR PLAN  
CA1 18'-0" x 14'-0"



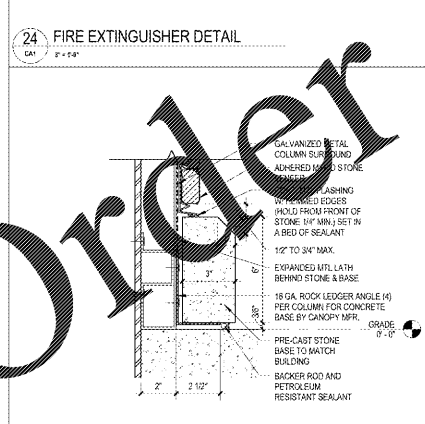
24 FIRE EXTINGUISHER DETAIL  
CA1 18'-0" x 14'-0"



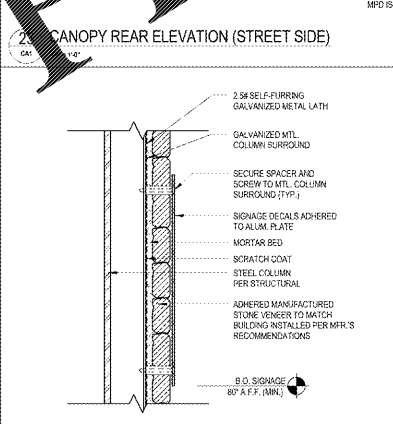
17 CANOPY FRONT ELEVATION (WAWA SIDE)  
CA1 18'-0" x 14'-0"



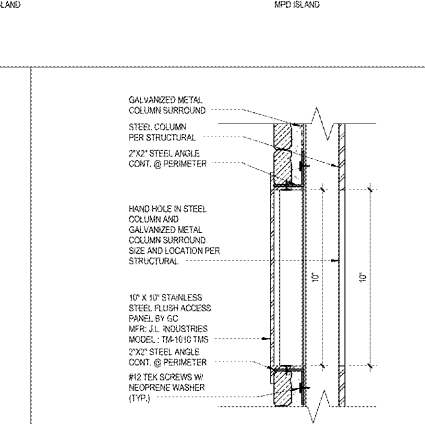
22 CANOPY REAR ELEVATION (STREET SIDE)  
CA1 18'-0" x 14'-0"



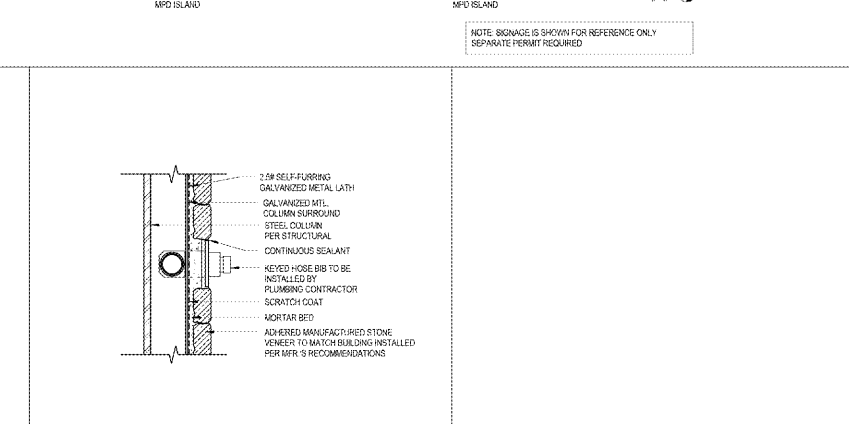
30 BASE DETAIL  
CA1 18'-0" x 14'-0"



29 FIRE EXTINGUISHER SIGN MOUNTING DETAIL  
CA1 18'-0" x 14'-0"

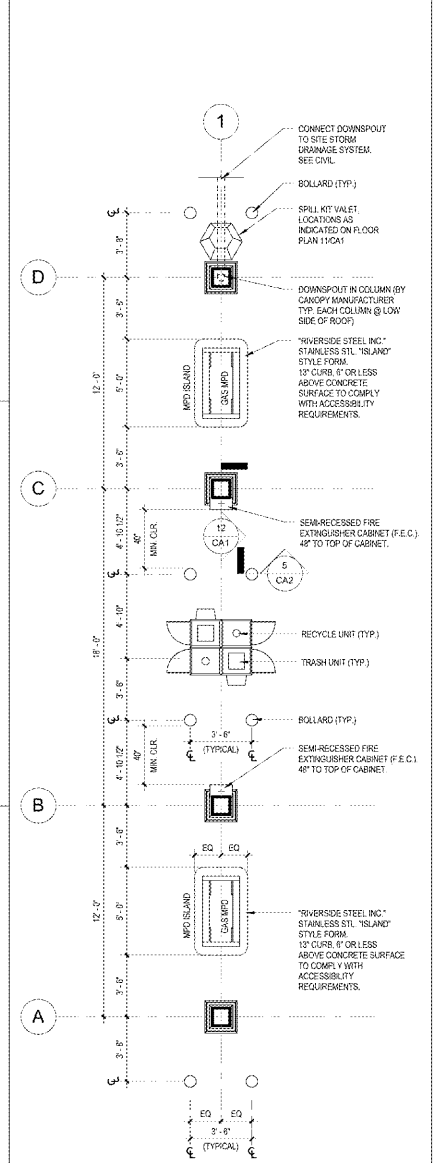


28 ACCESS PANEL DETAIL  
CA1 18'-0" x 14'-0"



27 HYDRANT DETAIL  
CA1 18'-0" x 14'-0"

GENERAL NOTES  
 1. ALL WORK SHALL COMPLY WITH THE FLORIDA BUILDING CODE 6TH EDITION (2017), THE FLORIDA FIRE PROTECTION CODE 6TH EDITION (2017), 2013 NFPA 96A CODE FOR MOTOR FUEL DISPENSING FACILITIES AND REPAIR GARAGES, AND 2013 NFPA 10 STANDARD FOR PORTABLE FIRE EXTINGUISHERS. SEE COVER SHEET FOR DETAILED CODE INFORMATION.  
 2. FUEL DISPENSING SYSTEMS (NFPA 96A) EMERGENCY ELECTRICAL DISCONNECTS SHALL BE PROVIDED WITH ONE OR MORE CLEARLY IDENTIFIED EMERGENCY SHUT OFF DEVICES OR ELECTRICAL DISCONNECTS SUCH DEVICES OR DISCONNECTS SHALL BE INSTALLED IN APPROVED LOCATIONS BUT NOT LESS THAN 20 FEET OR MORE THAN 100 FEET FROM THE FUEL DISPENSING DEVICES THAT THEY SERVE.  
 3. FIRE EXTINGUISHER CABINETS (IF E.C.I) SHALL BE STAINLESS STEEL SURFACE MOUNTED AS MANUFACTURED BY J.L. INDUSTRIES, COSMOPOLITAN SERIES, MODEL R033, WITH FULL CLEAR ACRYLIC GLAZING ON DOOR. FIRE EXTINGUISHER CABINETS ARE SUPPLIED BY WAWA AND INSTALLED BY GENERAL CONTRACTOR. ONE PER MPD ISLAND. SEE DETAILS THIS SHEET FOR REQUIRED MOUNTING HEIGHTS.  
 4. FIRE EXTINGUISHERS SHALL HAVE A MINIMUM UL RATING OF 4A-BK-C (HIGH FLOW, FIRE EXTINGUISHERS TO COMPLY WITH 2012 NFPA 96A AND MEET OR EXCEED 2013 NFPA 10 CLASS B SPECIAL HAZARD FIRE PROTECTION RECOMMENDATIONS. FIRE EXTINGUISHERS ARE SUPPLIED BY WAWA AND INSTALLED BY PETROLEUM CONTRACTOR. ONE PER MPD ISLAND.  
 5. FIRE EXTINGUISHER SIGNS PROVIDED AND INSTALLED BY WAWA. SEE DETAIL THIS SHEET FOR REQUIRED MOUNTING HEIGHT.  
 6. WARNING SIGNS SHALL BE PROVIDED BY WAWA AND INSTALLED BY THE PETROLEUM CONTRACTOR. EACH MPD ISLAND. WARNING SIGNS (2017 FIFC 1.42.7.5.3 AND 2012 NFPA 96A 9.2.5.4) SHALL INCLUDE BUT NOT BE LIMITED TO:  
 a. NO SMOKING  
 b. STOP ENGINE  
 c. UNAPPROVED TO DISPENSE GASOLINE INTO UNAPPROVED CONTAINERS.  
 7. EMERGENCY INSTRUCTIONS (2017 FIFC 1.42.7.5.3 AND 2012 NFPA 96A 9.2.5.4) SHALL BE PROVIDED BY WAWA AND INSTALLED BY THE PETROLEUM CONTRACTOR. BE CLEARLY POSTED IN THE DISPENSING AREA. EMERGENCY INSTRUCTIONS SHALL INCORPORATE THE FOLLOWING OR EQUIVALENT WORDING:  
 a. EMERGENCY INSTRUCTIONS - IN CASE OF AN EMERGENCY  
 b. USE EMERGENCY STOP BUTTON  
 c. REPORT ACCIDENT BY CALLING SPECIFIC (PHONE NUMBER) REPORT LOCAL  
 8. LOCATION OF TRASH UNITS, RECYCLE UNITS AND RECEPTACLES AS SHOWN ON FLOOR PLAN. RECEPTACLES PER UNIT. UNITS ARE TO BE PROVIDED AND INSTALLED BY WAWA.  
 9. LOCATION OF SPILL KIT SHALL BE SHOWN ON FLOOR PLAN. ANCHOR TO CONCRETE SURFACE WITH ANCHOR BOLTS AND W/1 FASTENERS. SPILL KIT VALETS ARE SUPPLIED BY WAWA AND INSTALLED BY PETROLEUM CONTRACTOR.  
 10. VERIFY IF ANY ACCEPTED PERMITS REQUIRED WITH WAWA REAL-ESTATE ENGINEER AND PROJECT MANAGER. SEE SHEET CA1 FOR PERMITS, DETAILS, AND SCHEDULES FOR MISCO INSTALLATION. REQUIREMENTS SHALL BE INSTALLED BY THE PETROLEUM CONTRACTOR.  
 11. VERIFY ANY PERMITS REQUIRED ON FINAL SITE PLAN.  
 12. ALL STEEL AND ALUMINUM TRIM SHALL MATCH ATAS 406 BONS WHITE UNLESS NOTED OTHERWISE (U.N.A.).  
 13. ALL PETROLEUM EQUIPMENT, INCLUDING PUMPS AND TANKS, WILL BE UNDER A SEPARATE PERMIT INSTALLED BY THE PETROLEUM CONTRACTOR.



25 GAS ISLAND DETAIL  
CA1 18'-0" x 14'-0"

**WAWA**  
 280 WEST BALTIMORE PIKE  
 WAWA, PENNSYLVANIA 19053

**ARCHITECTURAL CANOPY PLAN, ELEVATIONS, AND DETAILS**

CLIENT NAME: WAWA  
 PROJECT NAME: WAWA STACKED 8 GAS CANOPY 2018.01 STORE #5275-LIT  
 9021 STATE ROAD 62  
 HUDSON, FL 34689

SHEET TITLE: ARCHITECTURAL CANOPY PLAN, ELEVATIONS, AND DETAILS

PROJECT NO.: CA1  
 DATE: 03-27-2017  
 DRAWN BY: JAC  
 CHECKED BY: JAC

CA1