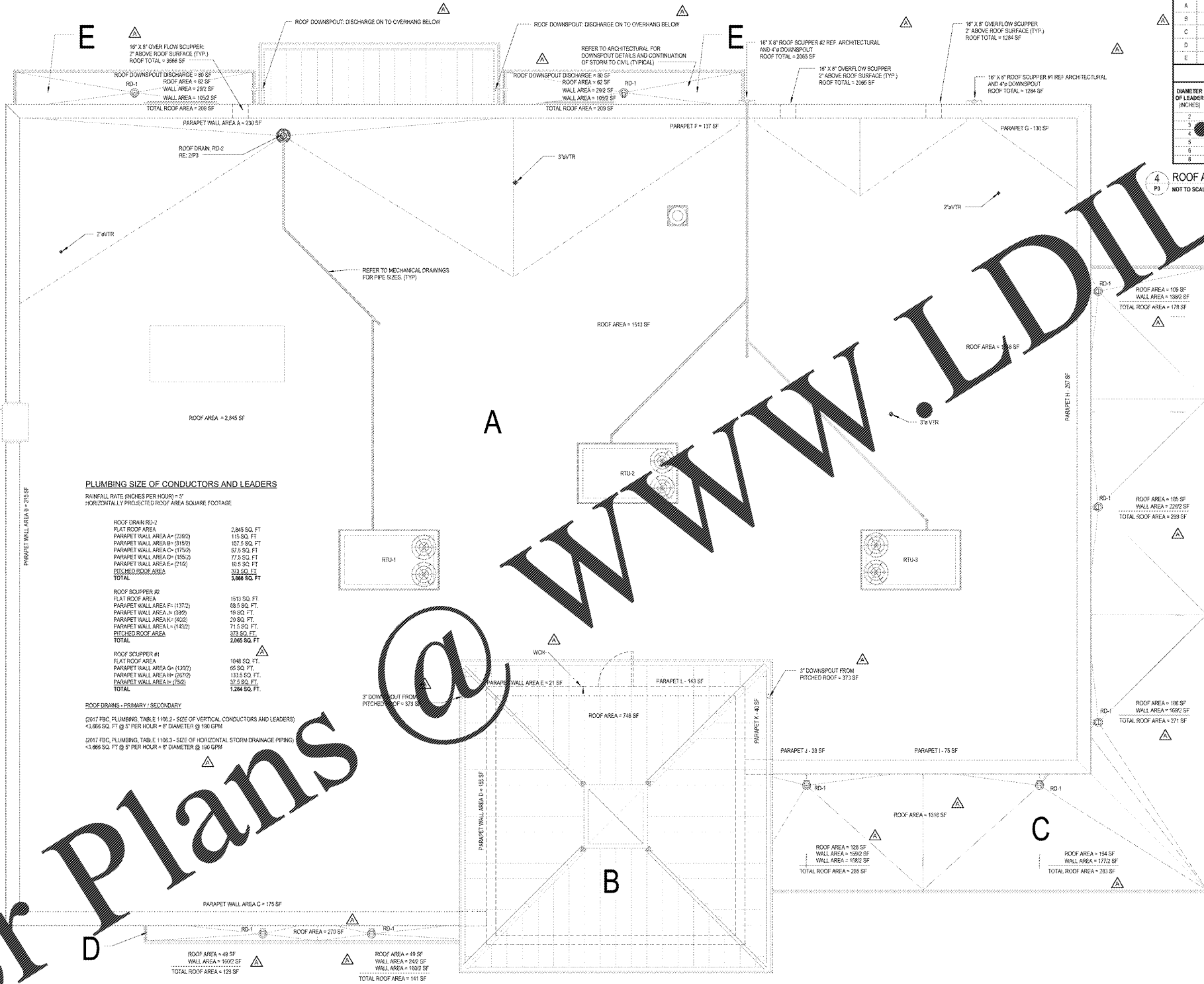


Order Plans

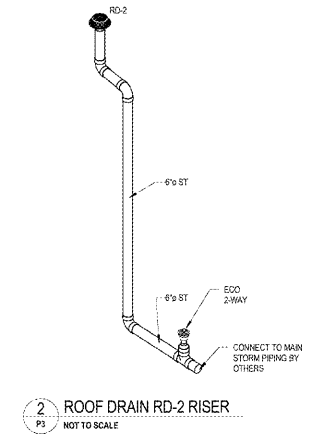
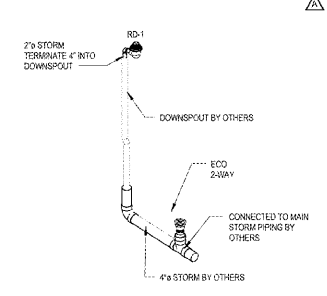


PROJECT SITE = COUNTY, FL 100 YEAR, 1 HR RAINFALL = 4.5" (ROUND UP TO 5")
TOTAL ROOF AREA = HORIZONTAL PROJECTED AREA + HALF THE AREA OF VERTICAL WALLS THAT DIVERT WATER TO THE ROOF
OVERFLOW LOW DRAINAGE, CALCULATED FROM FPG TABLE 1106.2 AS MODIFIED BY SECTION 1108.3

| ROOF LABEL | TOTAL AREA | LARGEST TRIB AREA | VERTICAL PIPING | | | |
|------------|----------------|-------------------|-----------------|----------|---|----|
| | | | REQUIRED | PROVIDED | | |
| QTY. | DIAMETER REQ'D | QTY. | DIAMETER PRVD | | | |
| A | 6,688 SF | 3,086 SF | 1 | 8" | 1 | 8" |
| B | 746 SF | 373 SF | 2 | 3" | 2 | 3" |
| C | 1316 SF | 269 SF | 5 | 2" | 5 | 2" |
| D | 370 SF | 181 SF | 3 | 2" | 3 | 2" |
| E | 239 SF | 209 SF | 2 | 2" | 2 | 2" |

TABLE 1106.2 STORM DRAIN PIPE SIZING

| DIAMETER OF LEADER (INCHES) | VERTICAL DRAIN | CAPACITY (GPM) | |
|-----------------------------|----------------|----------------------|------------------|
| | | SLOPE 1/16 IN PER FT | HORIZONTAL DRAIN |
| | | 1/4 IN PER FT | 1/2 IN PER FT |
| 2 | 24 | 115 | 231 |
| 3 | 36 | 166 | 331 |
| 4 | 48 | 217 | 431 |
| 5 | 60 | 268 | 531 |
| 6 | 72 | 319 | 631 |
| 8 | 96 | 420 | 831 |



WAWA F85FB 2018.01 STORE #5275-LIT
9021 STATE ROAD 52
HUDSON, FL 34689

CLIENT NAME
WAWA
280 WEST BALTIMORE PIKE
WAWA, PENNSYLVANIA 19053

PROJECT NAME
WAWA F85FB 2018.01 STORE #5275-LIT
9021 STATE ROAD 52
HUDSON, FL 34689

REVISIONS

| No. | DESCRIPTION | DATE |
|-----|-------------|------------|
| 1 | PRELIMINARY | 03/27/2017 |
| 2 | PRELIMINARY | 03/27/2017 |
| 3 | PRELIMINARY | 03/27/2017 |
| 4 | PRELIMINARY | 03/27/2017 |
| 5 | PRELIMINARY | 03/27/2017 |
| 6 | PRELIMINARY | 03/27/2017 |
| 7 | PRELIMINARY | 03/27/2017 |
| 8 | PRELIMINARY | 03/27/2017 |
| 9 | PRELIMINARY | 03/27/2017 |
| 10 | PRELIMINARY | 03/27/2017 |
| 11 | PRELIMINARY | 03/27/2017 |
| 12 | PRELIMINARY | 03/27/2017 |
| 13 | PRELIMINARY | 03/27/2017 |
| 14 | PRELIMINARY | 03/27/2017 |
| 15 | PRELIMINARY | 03/27/2017 |
| 16 | PRELIMINARY | 03/27/2017 |
| 17 | PRELIMINARY | 03/27/2017 |
| 18 | PRELIMINARY | 03/27/2017 |
| 19 | PRELIMINARY | 03/27/2017 |
| 20 | PRELIMINARY | 03/27/2017 |
| 21 | PRELIMINARY | 03/27/2017 |
| 22 | PRELIMINARY | 03/27/2017 |
| 23 | PRELIMINARY | 03/27/2017 |
| 24 | PRELIMINARY | 03/27/2017 |
| 25 | PRELIMINARY | 03/27/2017 |
| 26 | PRELIMINARY | 03/27/2017 |
| 27 | PRELIMINARY | 03/27/2017 |
| 28 | PRELIMINARY | 03/27/2017 |
| 29 | PRELIMINARY | 03/27/2017 |
| 30 | PRELIMINARY | 03/27/2017 |
| 31 | PRELIMINARY | 03/27/2017 |
| 32 | PRELIMINARY | 03/27/2017 |
| 33 | PRELIMINARY | 03/27/2017 |
| 34 | PRELIMINARY | 03/27/2017 |
| 35 | PRELIMINARY | 03/27/2017 |
| 36 | PRELIMINARY | 03/27/2017 |
| 37 | PRELIMINARY | 03/27/2017 |
| 38 | PRELIMINARY | 03/27/2017 |
| 39 | PRELIMINARY | 03/27/2017 |
| 40 | PRELIMINARY | 03/27/2017 |
| 41 | PRELIMINARY | 03/27/2017 |
| 42 | PRELIMINARY | 03/27/2017 |
| 43 | PRELIMINARY | 03/27/2017 |
| 44 | PRELIMINARY | 03/27/2017 |
| 45 | PRELIMINARY | 03/27/2017 |
| 46 | PRELIMINARY | 03/27/2017 |
| 47 | PRELIMINARY | 03/27/2017 |
| 48 | PRELIMINARY | 03/27/2017 |
| 49 | PRELIMINARY | 03/27/2017 |
| 50 | PRELIMINARY | 03/27/2017 |