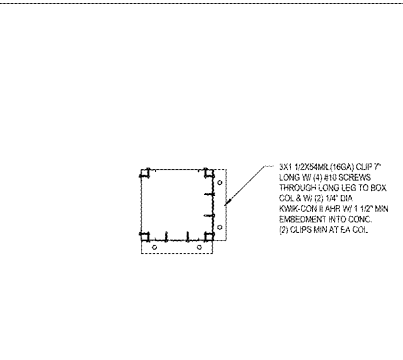


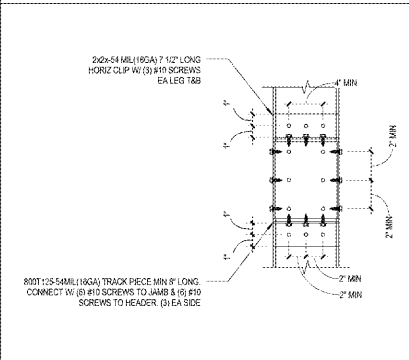
18 MAXTRAK CONNECTION TO STEEL BEAM

SB.1 12" x 14"



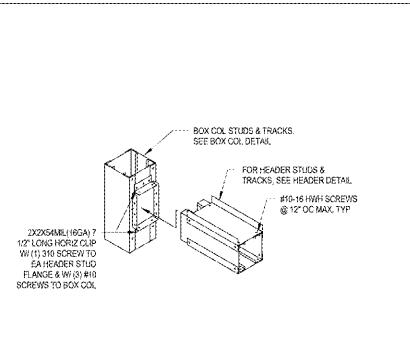
14 BOX COL TO JOIST

SB.1 12" x 14"



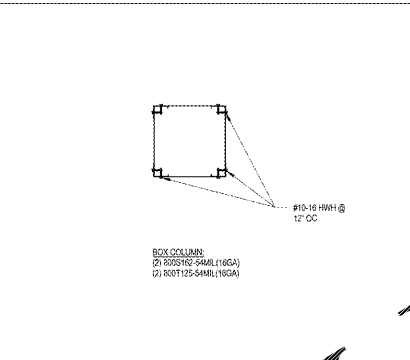
9 SILL TO BOX COL

SB.1 12" x 14"



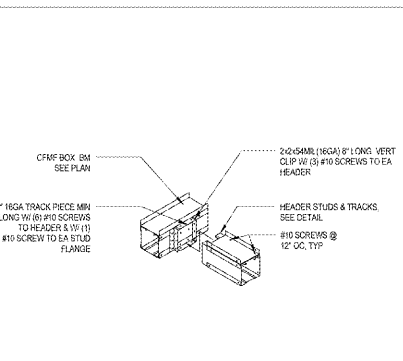
6 HEADER TO STL BM

SB.1 12" x 14"



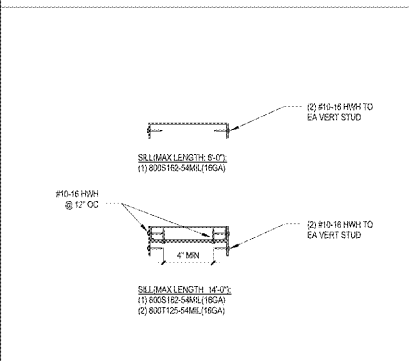
17 BOX COL BOTTOM CONNECTION

SB.1 12" x 14"



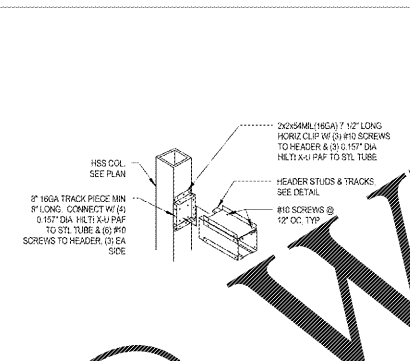
13 TRACK AND CLIP CONNECTION TO BOX COL

SB.1 12" x 14"



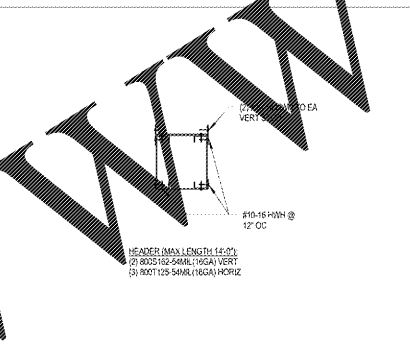
8 HEADER TO BOX COL CONNECTION

SB.1 12" x 14"



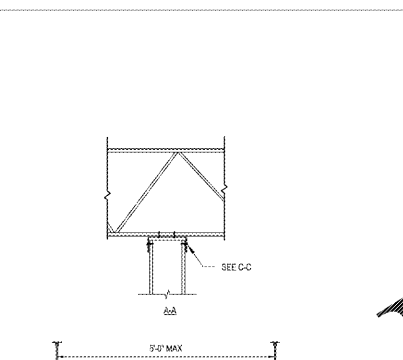
5 BOX COL DETAIL

SB.1 12" x 14"



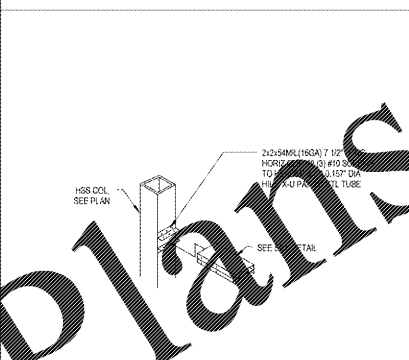
16 HEADER TO HEADER CONNECTION

SB.1 12" x 14"



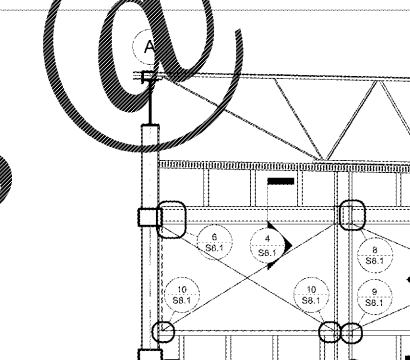
12 SILL DETAILS

SB.1 12" x 14"



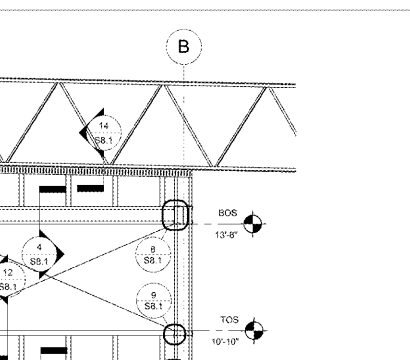
7 HEADER TO STL COL

SB.1 12" x 14"



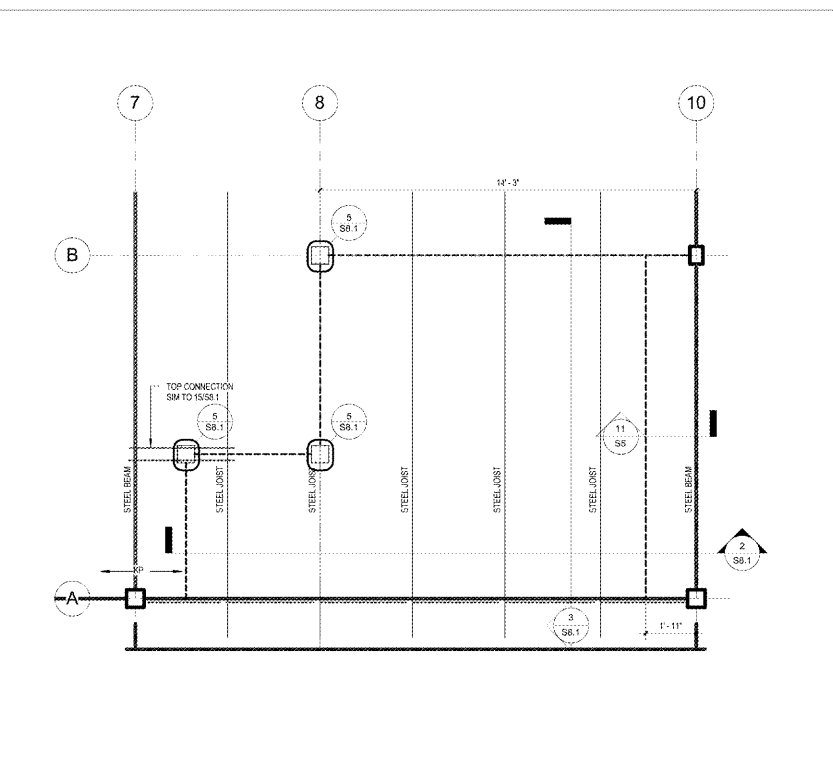
4 BOX HEADER DETAIL

SB.1 12" x 14"



2 ENTRANCE TOWER (FRONT)

SB.1 12" x 14"



15 TYP INTERIOR WALL FRAMING

SB.1 12" x 14"



10 SILL TO BOX COL

SB.1 12" x 14"



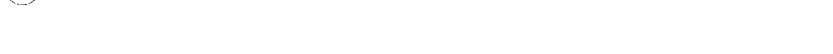
3 ENTRANCE TOWER (SIDE)

SB.1 12" x 14"



1 FRONT ENTRANCE FRAMING PLAN

SB.1 12" x 14"



Order Plans

WWW

LDOnline.com

**WAWA**  
 280 WEST BALTIMORE PIKE  
 WAWA, PENNSYLVANIA 19063

**WAWA F85FB 2018.01 STORE #5275-LIT**  
 9021 STATE ROAD 62  
 HUDSON, FL 34689

**COLD FORM METAL FRAMING AT ENTRANCE**

PROJECT NAME: WAWA F85FB 2018.01 STORE #5275-LIT  
 SHEET TITLE: COLD FORM METAL FRAMING AT ENTRANCE  
 SHEET NO: SB.1

DATE: 03/24/2017  
 PREPARED BY: J. L. LITTON  
 CHECKED BY: J. L. LITTON  
 REVISED BY: J. L. LITTON  
 REVISED DATE: 08/18/2017

DESIGNED BY: J. L. LITTON  
 DRAWN BY: J. L. LITTON  
 CHECKED BY: J. L. LITTON  
 APPROVED BY: J. L. LITTON

PROJECT NO: 210102  
 DATE: 03/24/2017  
 PREPARED BY: J. L. LITTON  
 CHECKED BY: J. L. LITTON  
 REVISED BY: J. L. LITTON  
 REVISED DATE: 08/18/2017

CLIENT NAME: WAWA  
 PROJECT NO: 210102  
 SHEET NO: SB.1

DATE: 03/24/2017  
 PREPARED BY: J. L. LITTON  
 CHECKED BY: J. L. LITTON  
 REVISED BY: J. L. LITTON  
 REVISED DATE: 08/18/2017

DESIGNED BY: J. L. LITTON  
 DRAWN BY: J. L. LITTON  
 CHECKED BY: J. L. LITTON  
 APPROVED BY: J. L. LITTON

PROJECT NAME: WAWA F85FB 2018.01 STORE #5275-LIT  
 SHEET TITLE: COLD FORM METAL FRAMING AT ENTRANCE  
 SHEET NO: SB.1

DATE: 03/24/2017  
 PREPARED BY: J. L. LITTON  
 CHECKED BY: J. L. LITTON  
 REVISED BY: J. L. LITTON  
 REVISED DATE: 08/18/2017

DESIGNED BY: J. L. LITTON  
 DRAWN BY: J. L. LITTON  
 CHECKED BY: J. L. LITTON  
 APPROVED BY: J. L. LITTON