

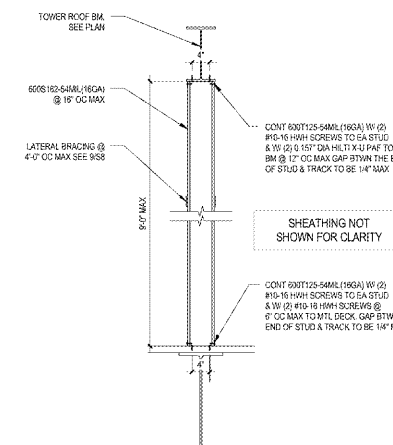
Order Plans

9 LATERAL BRACING FOR HORIZ OR VERT FRAMING
12' x 12'

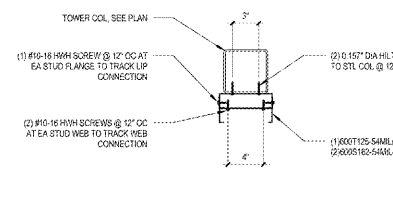
- SOLID BLOCKING INSTALLATION NOTES:**
- SOLID BLOCKING SHOULD BE PLACED @ 8'-0" OC MAX AT EA END OF WALLS & ADJACENT TO OPENINGS.
 - SOLID BLOCKING (TRACK OPTION ATTACHMENTS) SHOULD BE MADE OF THE SAME WIDTH OF THE WALL STUD & 48ML(18GA) MIN. TRACK SHOULD BE NOTCHED & FLANGES BENT 90°.
 - SOLID BLOCKING (CLIP OPTION ATTACHMENT) USE A 2X3X5ML(18GA) THE LENGTH OF CLIP ANGLE SHOULD BE 1/4" LESS THAN THE STUD WIDTH.

- FRAME NOTES:**
- SCREWS SHALL PENETRATE ALL FRAMING COMPONENTS.
 - SCREWS SHALL HAVE A MIN OF THREE EXPOSED THREADS EXTENDING THROUGH THE STL BEYOND ALL FRAMING COMPONENTS CONNECTED.
 - PROVIDE 1/2" MIN EDGE DIST & 24" MIN SPACING FOR #10 & #12 SELF-DRILLING SCREWS.

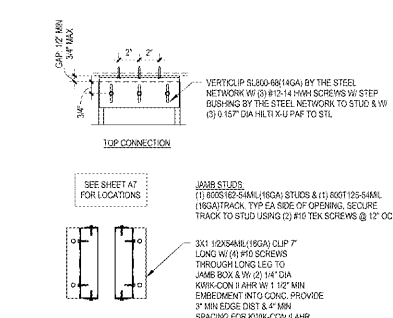
10 SHEAR WALL FRAMING IN CL 7&10
12' x 12'



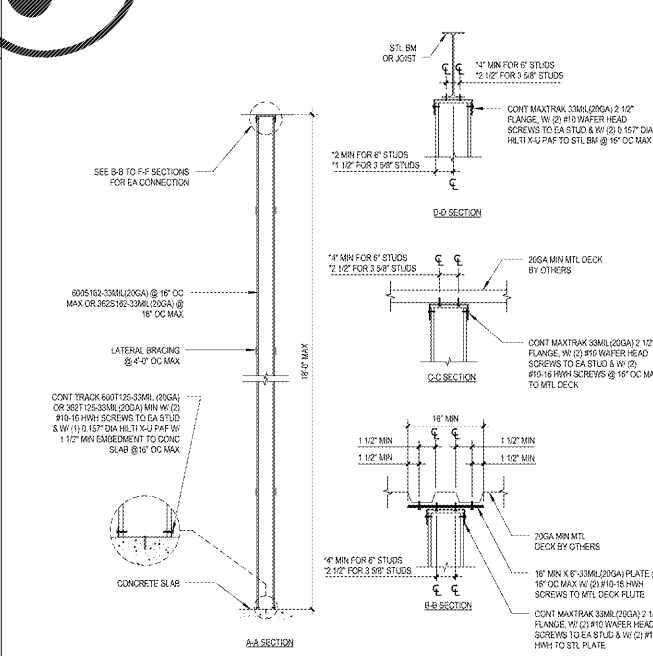
11 SHEAR WALL END BUILT UP COL
12' x 12'



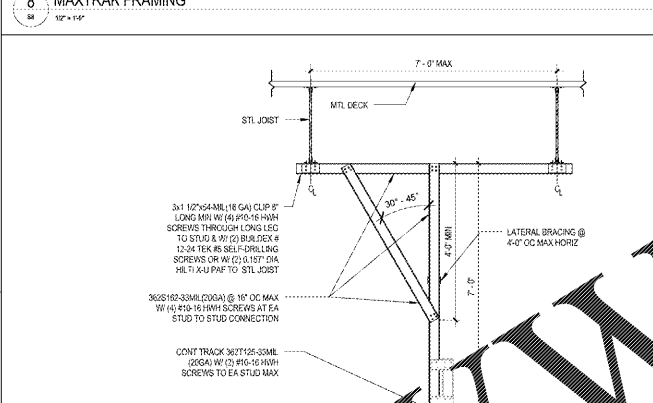
12 8\"/>



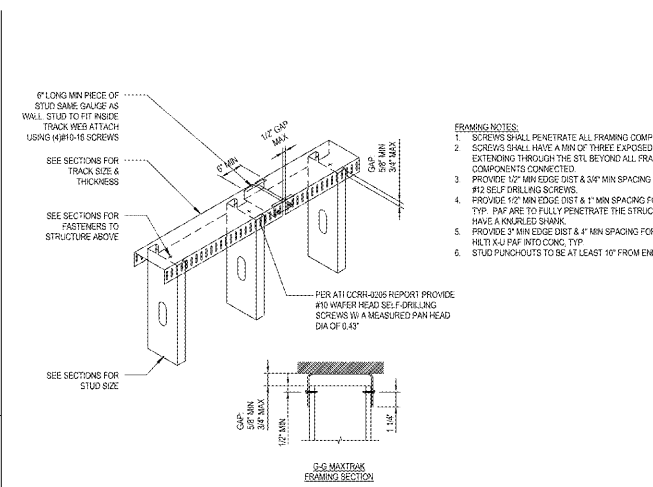
6 TYP INTERIOR WALL FRAMING
12' x 12'



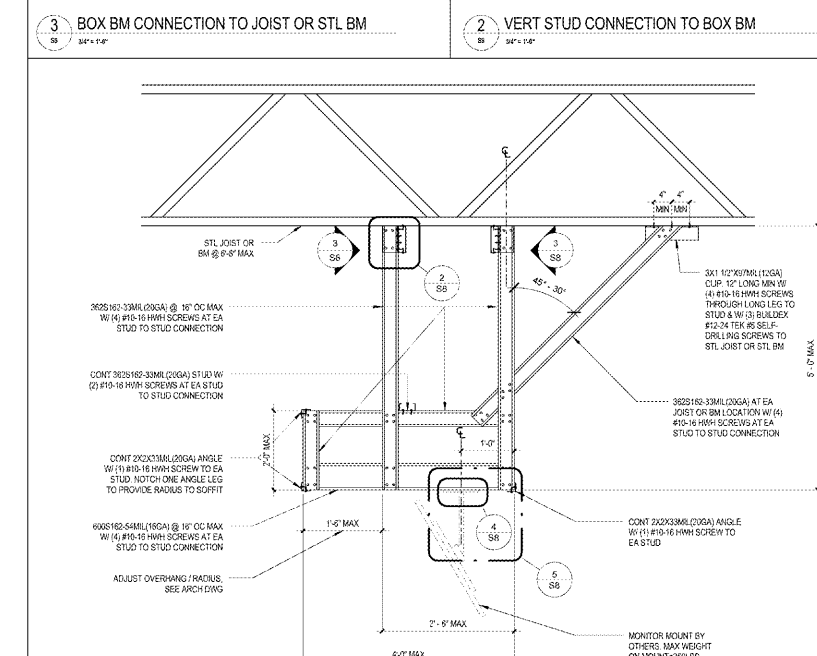
7 INTERIOR FASCIA DETAIL
12' x 12'



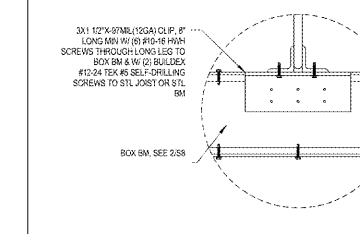
8 MAXTRAK FRAMING
12' x 12'



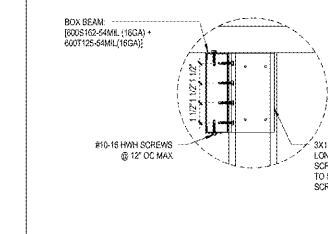
1 MONITOR SUPPORT FRAMING DETAIL
12' x 12'



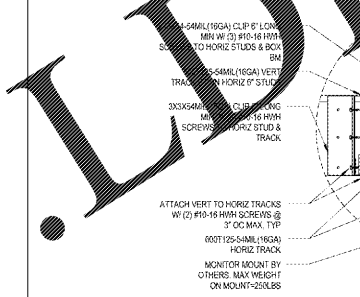
3 BOX BM CONNECTION TO JOIST OR STL BM
12' x 12'



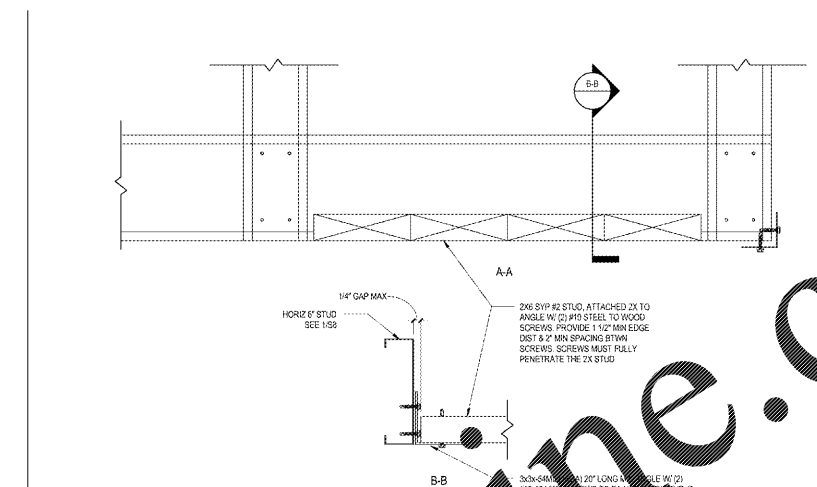
2 VERT STUD CONNECTION TO BOX BM
12' x 12'



4 TV MOUNT SUPPORT BLOCKING
12' x 12'



5 TV SHROUD AT FOOD SERVICE SOFFIT
12' x 12'



Revision Schedule	
No.	Description
1	PRELIMINARY SET
2	REVISED SET
3	REVISED SET
4	REVISED SET
5	REVISED SET
6	REVISED SET
7	REVISED SET
8	REVISED SET
9	REVISED SET
10	REVISED SET
11	REVISED SET
12	REVISED SET
13	REVISED SET
14	REVISED SET
15	REVISED SET
16	REVISED SET
17	REVISED SET
18	REVISED SET
19	REVISED SET
20	REVISED SET

PROJECT NAME: **WAWA F85FB 2018.01 STORE #5275-LIT**
 9021 STATE ROAD 62
 HUDSON, FL 34669

SHEET TITLE: **EXTERIOR AND INTERIOR FRAMING**

CLIENT NAME: **WAWA**
 260 WEST BALTIMORE PIKE
 WAWA, PENNSYLVANIA 19063

WAWA & Peterson
 Architects
 Planners
 Engineers
 Landscape Architects

1800 Prospect Avenue
 Suite 100
 Harrisburg, PA 17104