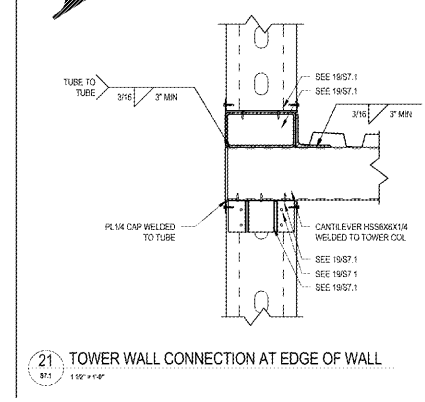
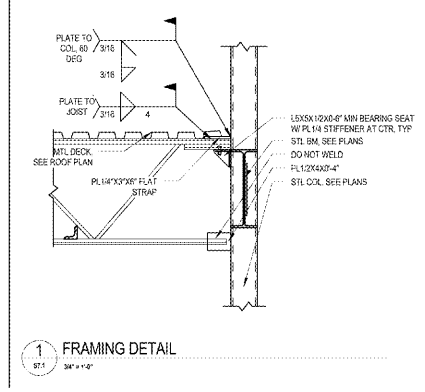
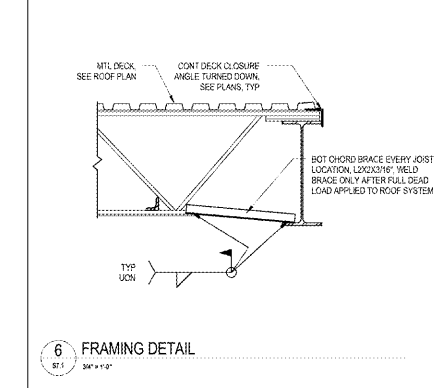
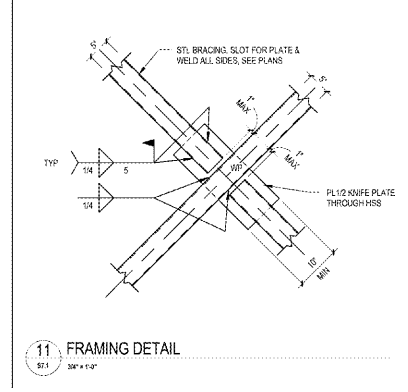
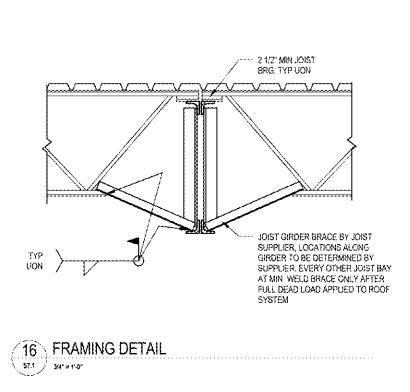
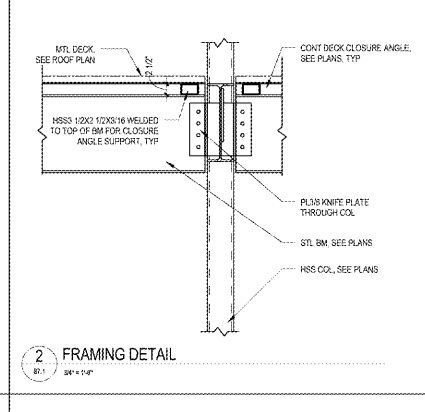
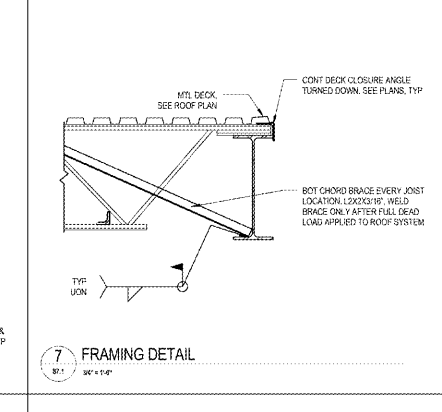
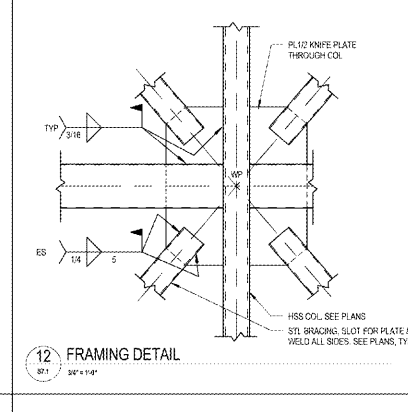
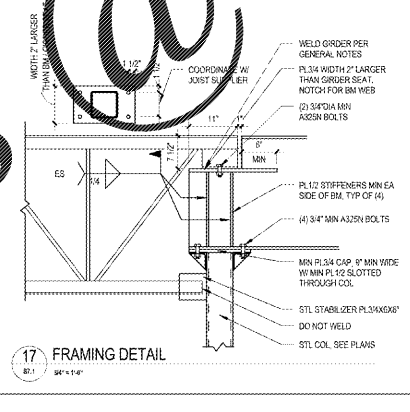
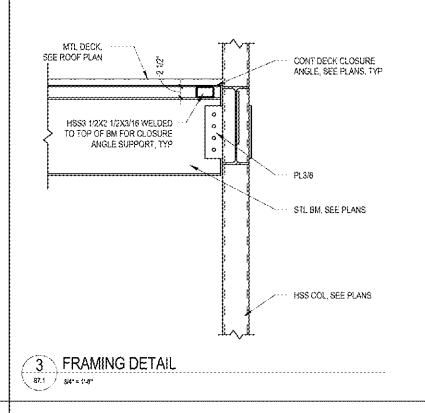
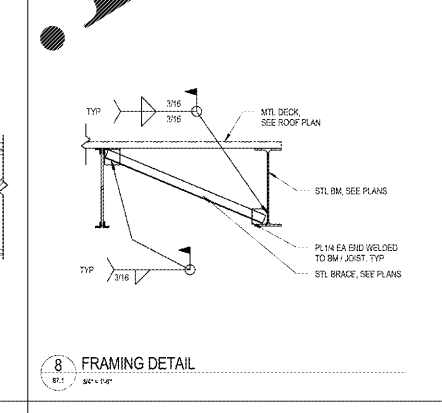
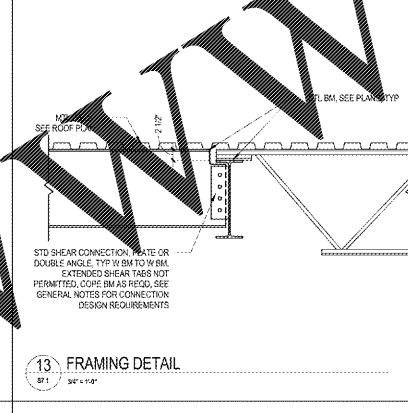
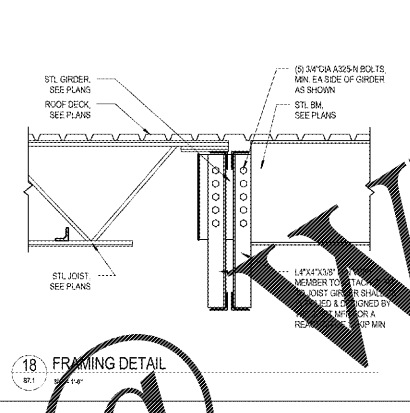
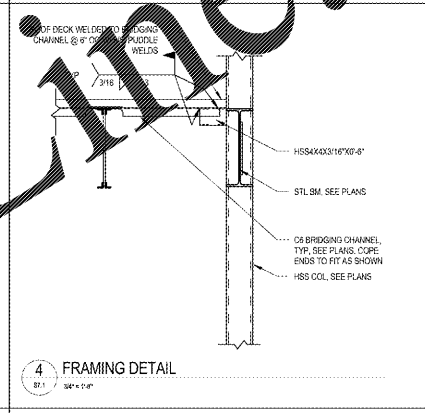
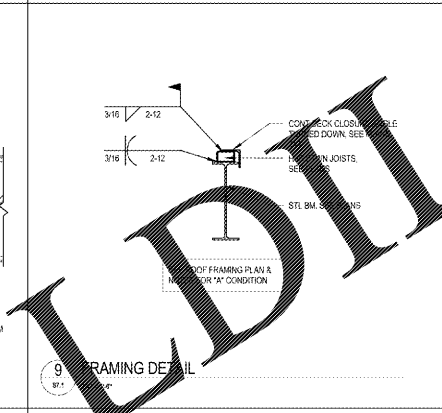
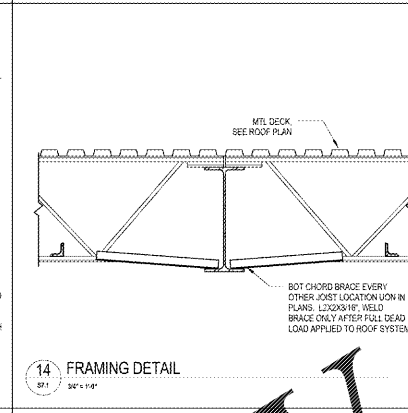
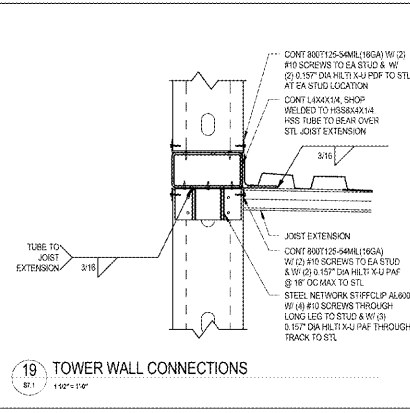
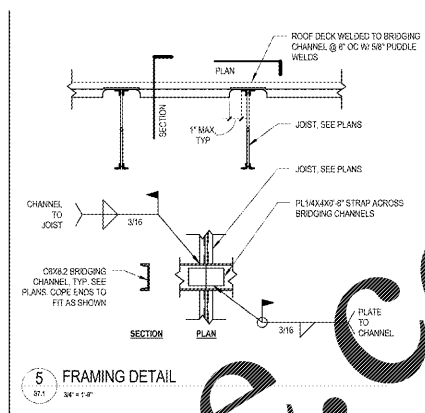
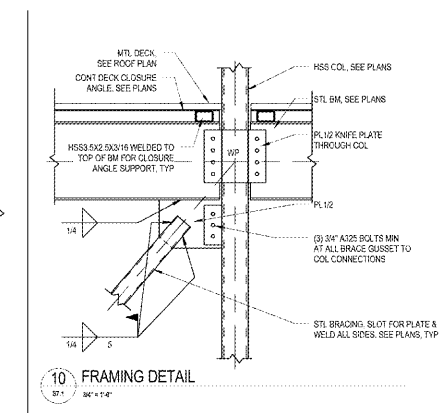
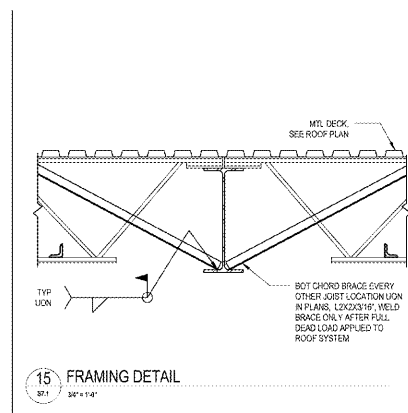
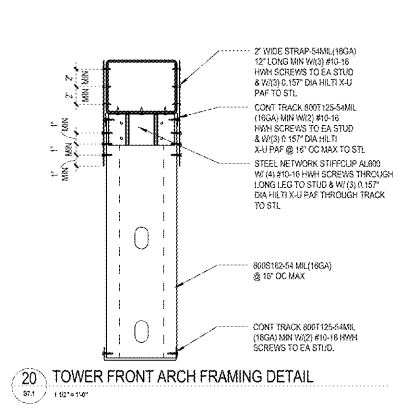


Order Plans



**WAWA**  
8585 BALTIMORE PIKE  
BALTIMORE, MD 21286-4301

**WAWA F85FB 2018.01 STORE #5275-LIT**  
9021 STATE ROAD 52  
HUDSON, FL 34689

**FRAMING DETAILS**

CLIENT NAME: WAWA  
PROJECT NAME: WAWA F85FB 2018.01 STORE #5275-LIT  
SHEET TITLE: FRAMING DETAILS

DATE: 03/24/2017  
REVISED: 08/16/2018

DESIGNED BY: JI  
CHECKED BY: JI

8/11 3/8" x 1/4"