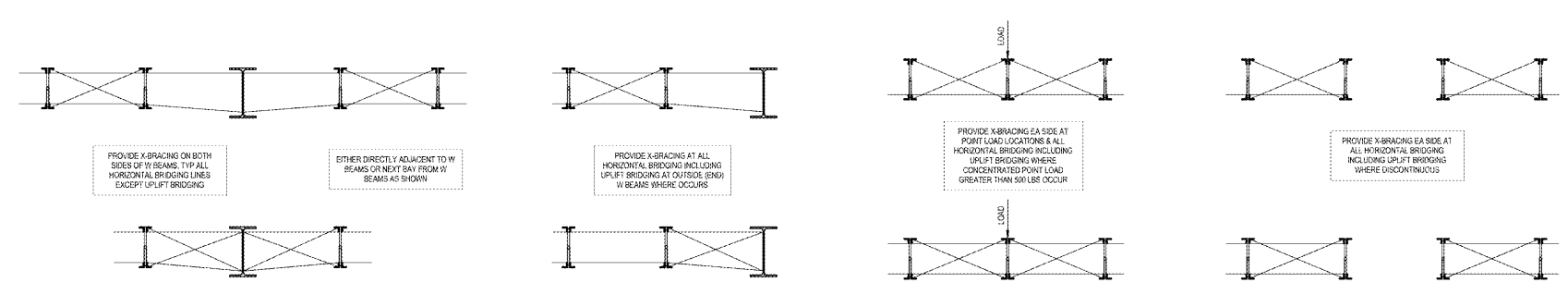
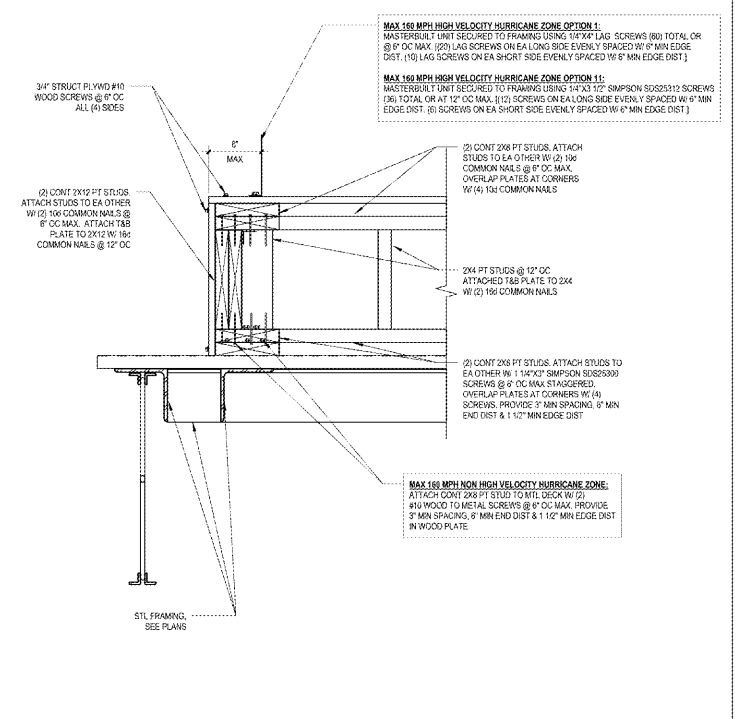


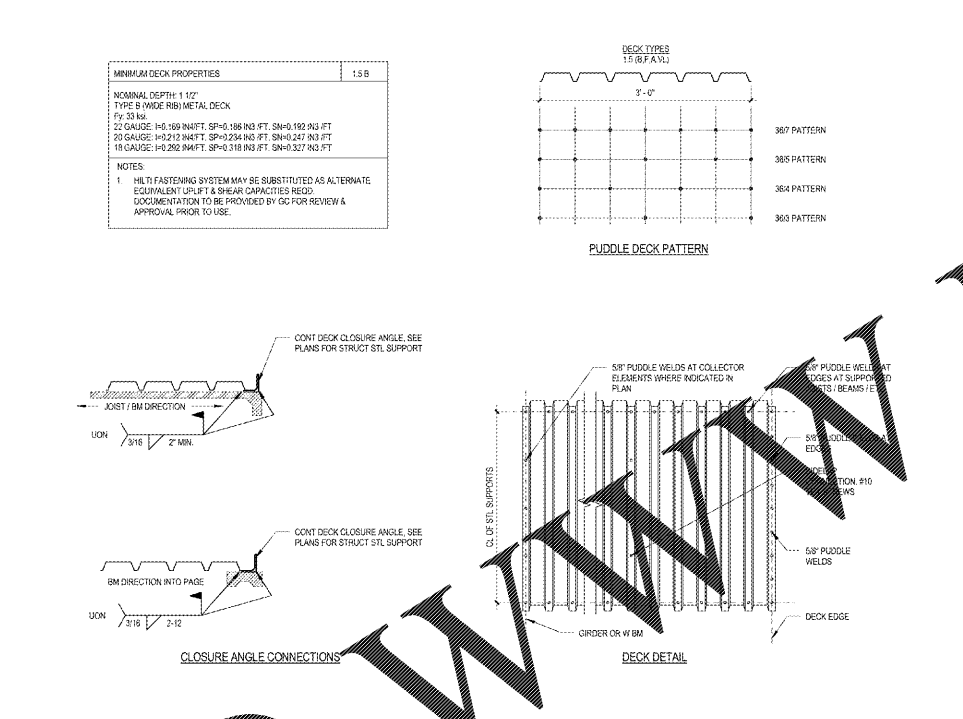
8 GENERAL BRIDGING & BRACING INFORMATION
1/8" = 1'-0"



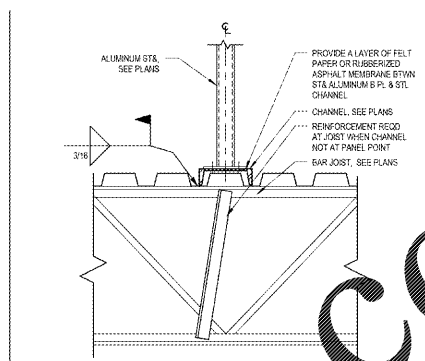
7 MASTERBUILT SUPPORT - SCREWED
1/8" = 1'-0"



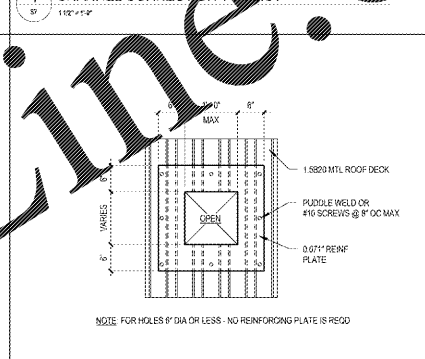
6 GENERAL MTL DECK CLOSURE ANGLE INFORMATION
1/8" = 1'-0"



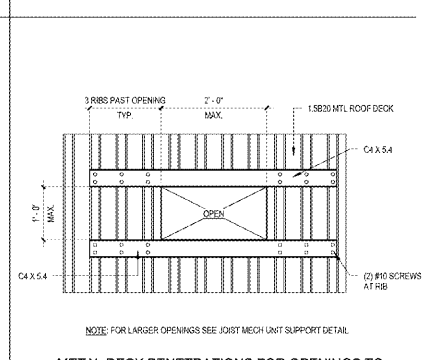
4 CHANNEL CONNECTION TO JOIST
1/8" = 1'-0"



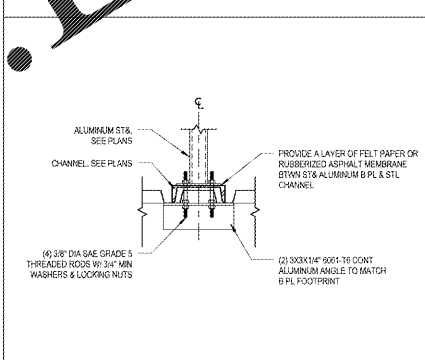
3 METAL DECK PENETRATIONS FOR OPENINGS TO 14" PERPENDICULAR TO DECK
3/8" = 1'-0"



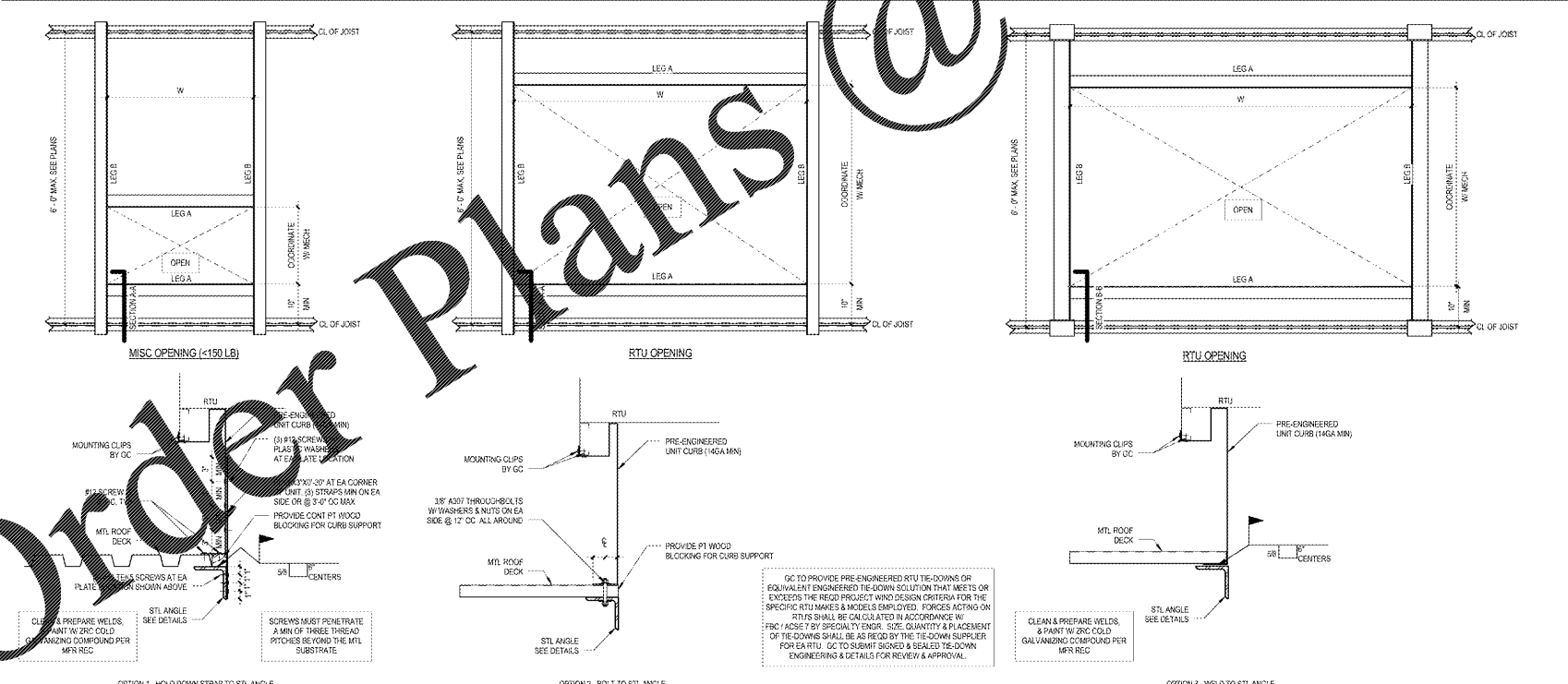
2 METAL DECK PENETRATIONS FOR OPENINGS TO 24" PERPENDICULAR TO DECK
3/8" = 1'-0"



5 STAND COL CONNECTION BTWN JOIST
1/8" = 1'-0"



1 GENERAL RTU INFORMATION
3/8" = 1'-0"



MECHANICAL EQUIPMENT SCHEDULE

TOTAL WEIGHT MAX	MAX "W"	HEADER	LEG A	LEG B
UP TO 150 LBS	3'-0"	N/A. SEE SECTION A-A	L3X3X3/16	L3X3X3/16
500 LBS	6'-0"	N/A. SEE SECTION A-A	L3X3X1/4	L3X3X1/4
2000 LBS	6'-0"	L5X8X3/8	L4X4X3/8	L4X4X3/8

- NOTES:
- INSTALL STRUCT CURBS, HEADERS & FRAMES & WELD TO SUPPORT STL BEFORE DECK IS PLACED.
 - DO NOT INSTALL STRUCT CURBS ON TOP OF DECK.
 - ADJUST LOCATION OF RTU SO CURB FALLS WITHIN 3" OF JOIST PANEL POINTS WHERE POSSIBLE.
 - GC SHALL COORDINATE EQUIP DIMENSIONS & FRAMING LOCATIONS W/ THE STL FABRICATOR.
 - MECH & ERECT SUBCONTRACTORS
 - TOTAL WEIGHT = EQUIPMENT WEIGHT + WEIGHT OF EQUIP CURBS.
 - ALL EQP ON PRE-ENGINEERED CURBS.

LDILINE.COM

WAWA F85FB 2018.01 STORE #5275-LIT
9021 STATE ROAD 62
HUDSON, FL 34669

RTU FRAMING AND DETAILS

WAWA & Peterson Planners Architects
1800 Prospect Avenue
Tampa, FL 33611
Phone: 813.288.1414
Fax: 813.288.1415
www.wawa.com

CLIENT NAME: WAWA
280 WEST BALTIMORE PIKE
WAWA, PENNSYLVANIA 19063

PROJECT NAME: WAWA F85FB 2018.01 STORE #5275-LIT
9021 STATE ROAD 62
HUDSON, FL 34669

SHEET TITLE: RTU FRAMING AND DETAILS

DATE: 03/24/2017
DRAWN BY: J.L.
CHECKED BY: J.L.

REVISIONS:

NO.	DATE	DESCRIPTION
1	03/24/2017	PRELIMINARY
2	03/24/2017	REVISED PER MFR REC
3	03/24/2017	REVISED PER MFR REC
4	03/24/2017	REVISED PER MFR REC
5	03/24/2017	REVISED PER MFR REC

97