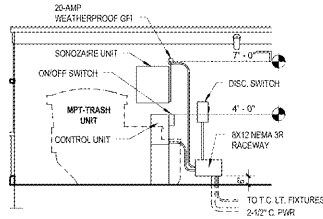


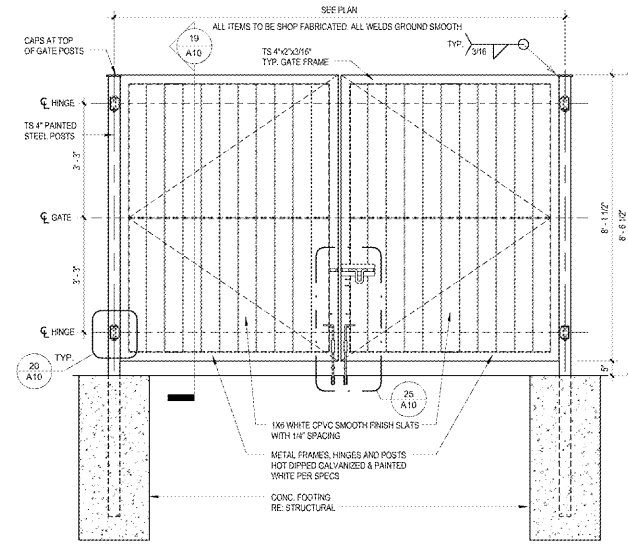


NOTE:  
1. SIGN FINISHED BY WAWA, INSTALLED BY GC. POST AT ALL GATES AND DOORS FACING TRAFFIC LANE.

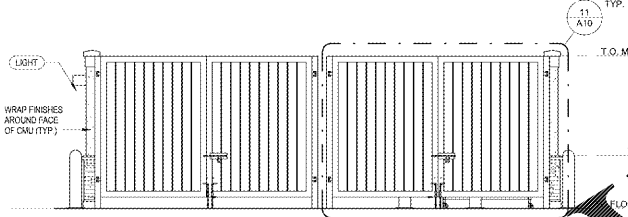
6 SIGN AT DOORS AND GATES  
A10 3/4" = 1'-0"



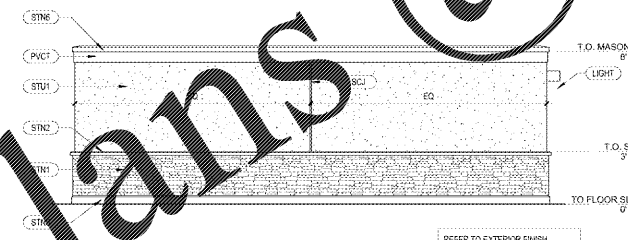
12 PARTIAL INT. ELEV.  
A10 1/4" = 1'-0"



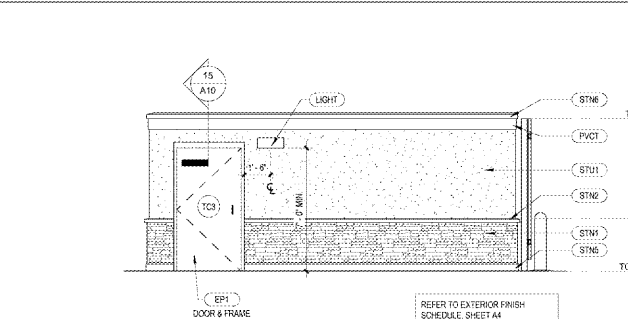
11 GATE ELEVATION  
A10 1/2" = 1'-0"



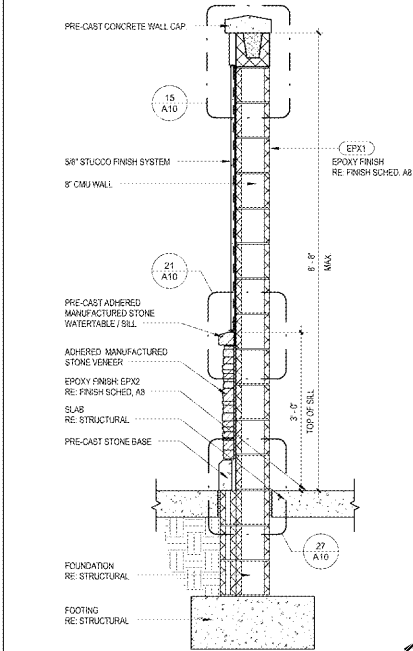
17 FRONT ELEVATION  
A10 1/4" = 1'-0"



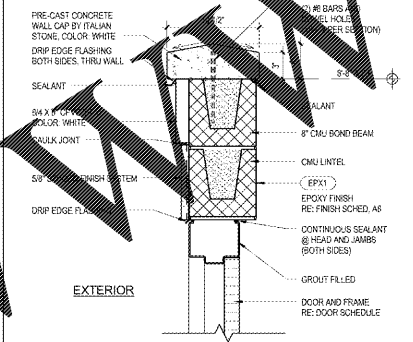
23 REAR ELEVATION  
A10 1/4" = 1'-0"



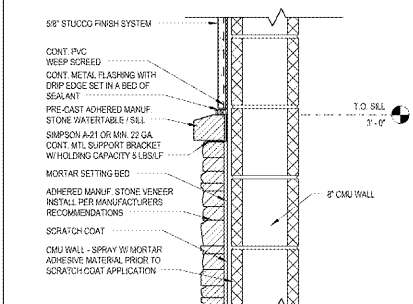
29 SIDE ELEVATION, TYP.  
A10 1/4" = 1'-0"



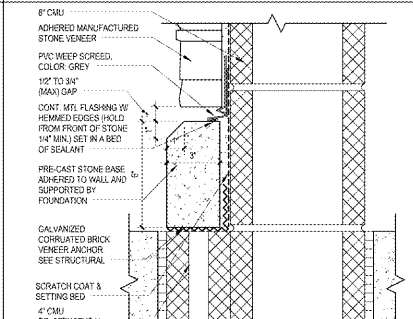
9 WALL SECTION  
A10 3/4" = 1'-0"



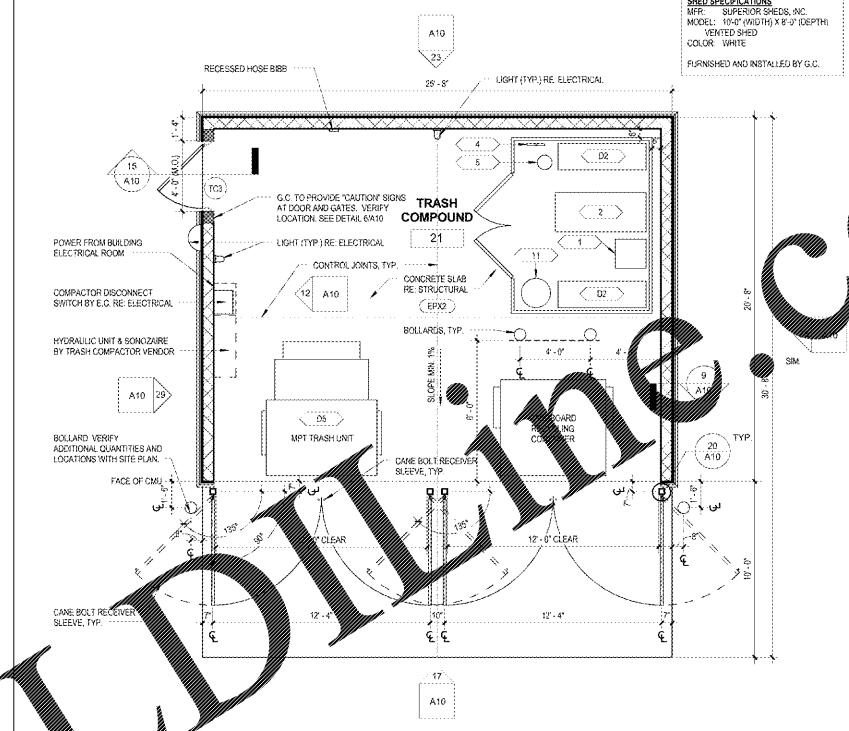
15 HEAD DETAIL  
A10 1/2" = 1'-0"



21 SILL DETAIL  
A10 1/2" = 1'-0"



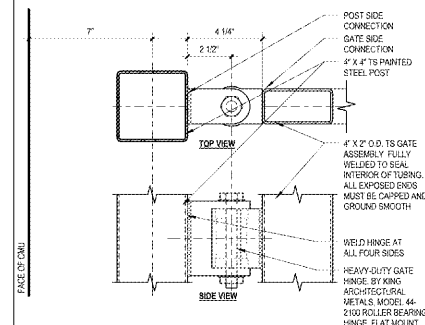
27 BASE DETAIL  
A10 3/4" = 1'-0"



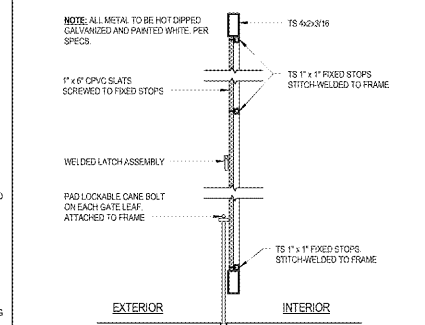
8 TRASH COMPOUND FLOOR PLAN  
A10 1/4" = 1'-0"

DOOR SCHEDULE									
#	W	HT	TH	TYPE	MATL	FRAME TYPE	THRD	HDW SET	REMARKS
TC1	3'-0"	7'-0"	1 3/4"	B	HM	HM	B	173	3" HEAD. SEE SHEET A1 FOR DOOR NOTES. REFER TO HARDWARE SCHEDULE IN SPECIFICATION MANUAL.

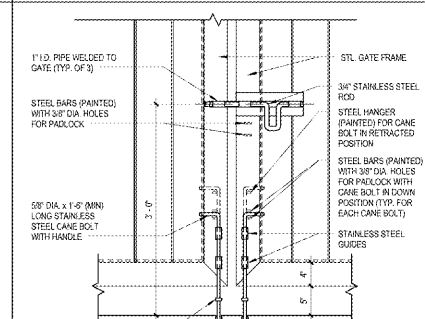
EQUIPMENT SCHEDULE		
EQ#	DESCRIPTION	INSTALLED BY
01	BACK OF HOUSE	
02	STORAGE SHELVING	WAWA
03	MPT TRASH UNIT	WAWA
2	EXTERIOR EQUIPMENT	
1	PORTABLE POWER WASH (FUTURE)	
2	BILLY GOAT	
4	SHOVEL	
5	FUEL CAN	
11	SPILL BUCKET	



20 HINGE DETAIL  
A10 3/4" = 1'-0"



19 GATE DETAIL  
A10 1" = 1'-0"



25 CANE BOLT & LATCH DETAIL  
A10 1" = 1'-0"

SIGN SPECIFICATIONS  
MFG: SUPERIOR SIGNS, INC.  
MODEL: 105" (WIDTH) X 8'-0" (DEPTH)  
VENDED SIGN  
COLOR: WHITE  
FINISHED AND INSTALLED BY G.C.

WAWA & Peterson  
Engineers  
Architects  
1500 West Baltimore Pike  
Hudson, NJ 07033  
Tel: 201-981-1111  
Fax: 201-981-1112

CLIENT NAME  
WAWA  
280 WEST BALTIMORE PIKE  
WAWA, PENNSYLVANIA 19053

PROJECT NAME  
WAWA FLSQ17 2018.01 STORE #5275-LIT  
9021 STATE ROAD 52,  
HUDSON, FL 34689

SHEET TITLE  
TRASH COMPOUND

Revisions Schedule	
No.	Description
1	PRELIMINARY SET (03/20/18)
2	PRELIMINARY SET (03/20/18)
3	REVISED SET (04/10/18)
4	REVISED SET (04/10/18)
5	REVISED SET (04/10/18)

PROJECT NO.  
2101002  
DATE  
03/24/2017  
DRAWN BY  
J.P.  
CHECKED BY  
J.P.  
US

A10