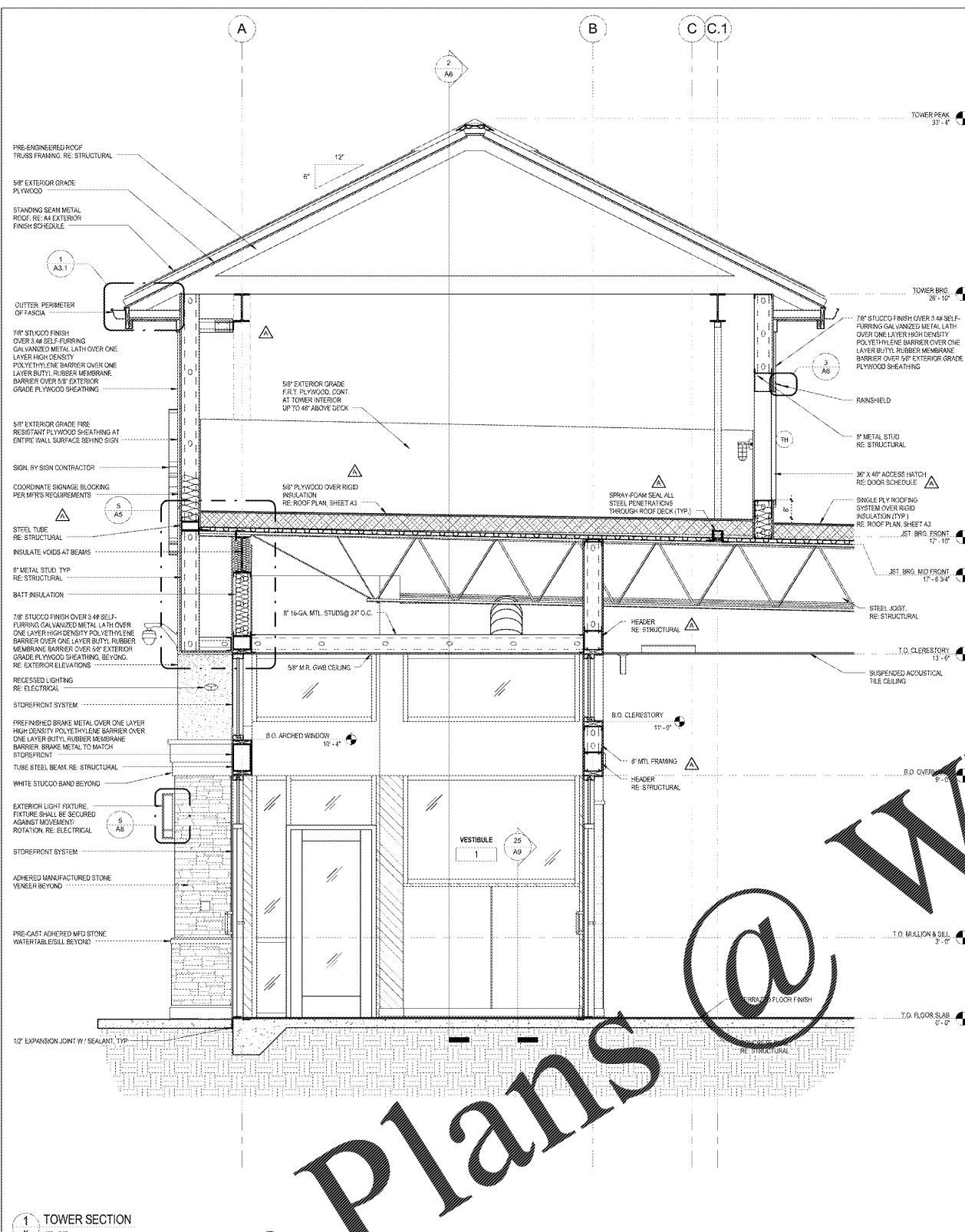
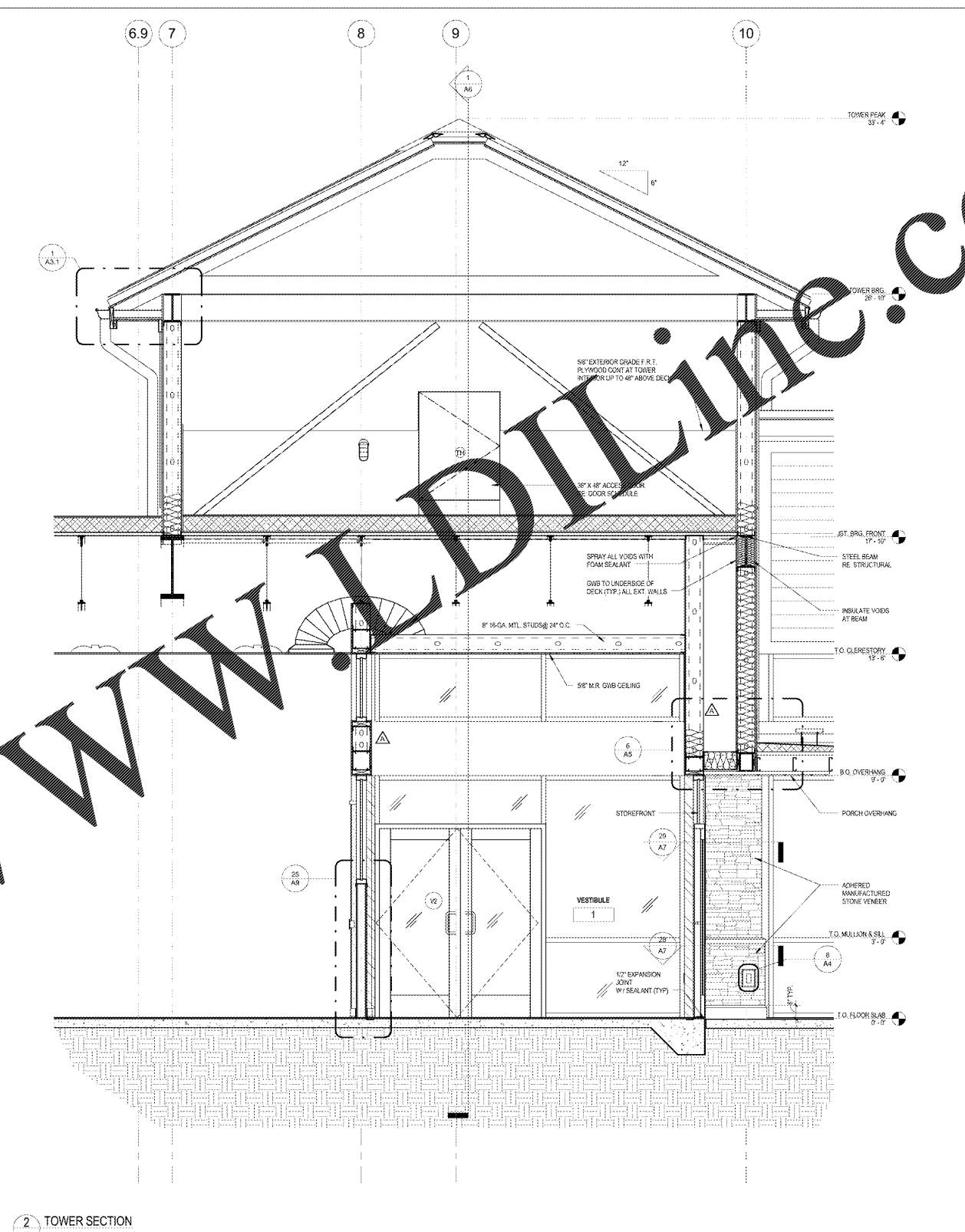


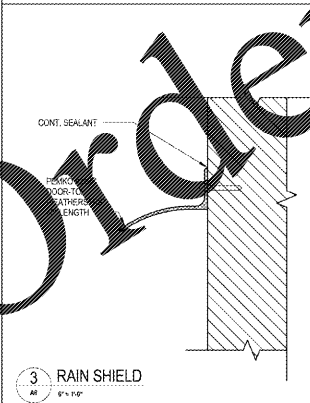
Order Plans @ WWW.WLDLINE.COM



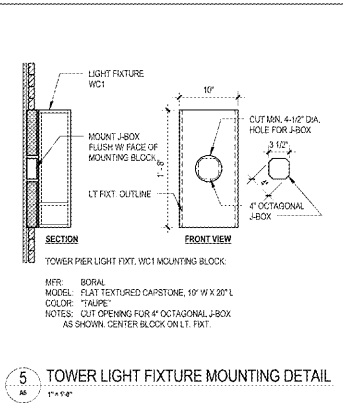
1 TOWER SECTION
1/2" = 1'-0"



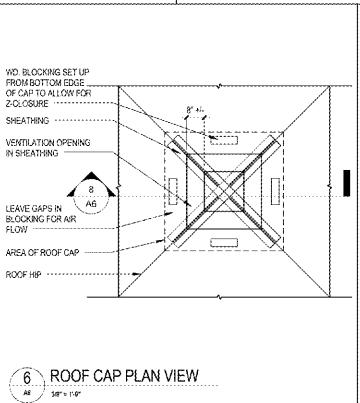
2 TOWER SECTION
1/2" = 1'-0"



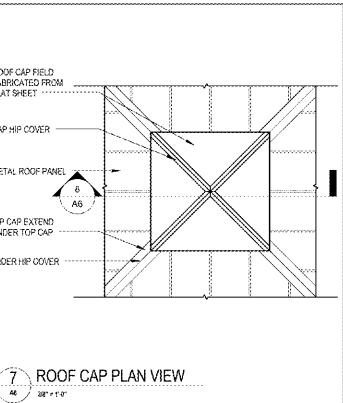
3 RAIN SHIELD
1/2" = 1'-0"



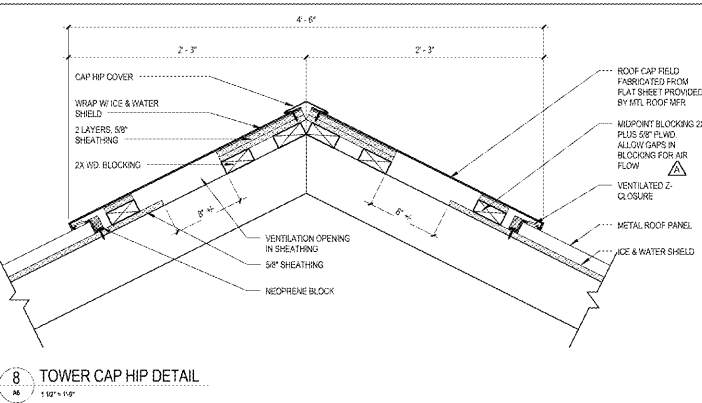
5 TOWER LIGHT FIXTURE MOUNTING DETAIL
1/2" = 1'-0"



6 ROOF CAP PLAN VIEW
1/2" = 1'-0"



7 ROOF CAP PLAN VIEW
1/2" = 1'-0"



8 TOWER CAP HIP DETAIL
1/2" = 1'-0"

WAWA F85FB 2018.01 STORE #5275-LIT
9021 STATE ROAD 52
HUDSON, FL 34689

CLIENT NAME: WAWA
260 WEST BALTIMORE PIKE
WAWA, PENNSYLVANIA 19053

SHEET TITLE: WALL SECTIONS AND DETAILS

PROJECT: WAWA F85FB 2018.01 STORE #5275-LIT
DATE: 03/24/2017
REVISIONS:
1. PRELIMINARY SET: 08/29/2018
2. REVISED SET: 09/18/2018
3. REVISED SET: 09/18/2018

DESIGNER: [Blank]
CHECKER: [Blank]
DATE: [Blank]

210102
DATE: 03/24/2017
REVISIONS:
1. PRELIMINARY SET: 08/29/2018
2. REVISED SET: 09/18/2018
3. REVISED SET: 09/18/2018

DATE: 03/24/2017
REVISIONS:
1. PRELIMINARY SET: 08/29/2018
2. REVISED SET: 09/18/2018
3. REVISED SET: 09/18/2018

DATE: 03/24/2017
REVISIONS:
1. PRELIMINARY SET: 08/29/2018
2. REVISED SET: 09/18/2018
3. REVISED SET: 09/18/2018

DATE: 03/24/2017
REVISIONS:
1. PRELIMINARY SET: 08/29/2018
2. REVISED SET: 09/18/2018
3. REVISED SET: 09/18/2018