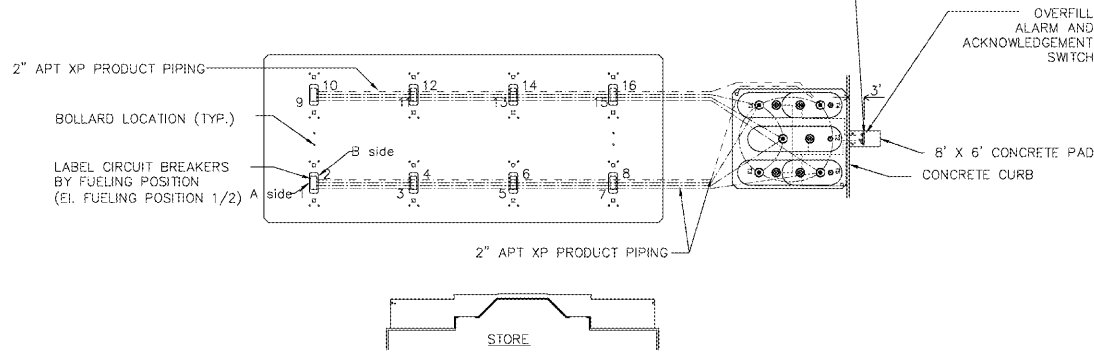
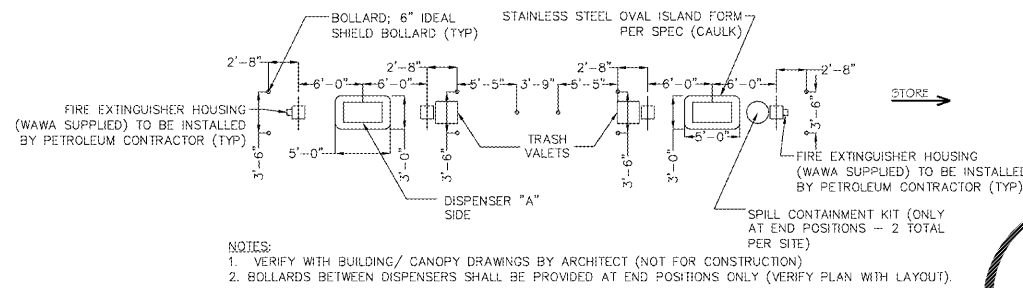


**VENT LINES** 3" GALVANIZED VENT STACK FOR GASOLINE ( 2" GALVANIZED VENT STACK FOR DIESEL) ABOVE GRADE, 3" RIGID DOUBLE WALL FIBERGLASS FOR GASOLINE (2" FOR DIESEL) BELOW GRADE. PER MANUFACTURER'S INSTRUCTIONS, TERMINATE SECONDARY W/ FRP TERMINATION FITTING. SET MIN. 3' BEHIND CURB. INSTALL (2) 6" IDEALSHIELD BOLLARDS IN FRONT OF VENT STACK IN PVC SLEEVE (PER SPEC). SET IN 8' X 6' CONCRETE PAD.



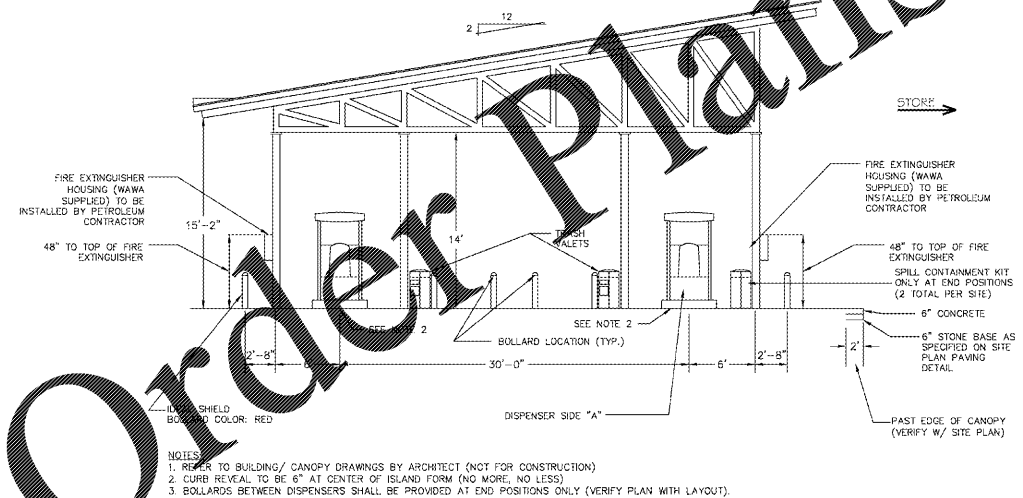
- NOTES:**  
 1.) TYPICAL LAYOUT FOR APT XP PRODUCT PIPING — SEE SITE PLAN FOR TANK/CANOPY LAYOUTS; LOCATE PIPING RUNS ACCORDINGLY.  
 2.) FINAL LOCATION OF DIESEL DISPENSERS TO BE VERIFIED WITH WAWA PROJECT MANAGER. SEE SITE PLAN FOR SPECIFIC DIESEL FUELING LOCATIONS. ALL MPDs IN FLORIDA SHALL BE 3+1 DISPENSERS.  
 3.) VERIFY ALL PIPING WITH WAWA PROJECT MANAGER PRIOR TO INSTALLATION.

**A TYPICAL PIPING RUNS**  
 G-3 SCALE: 1" = 30'-0"



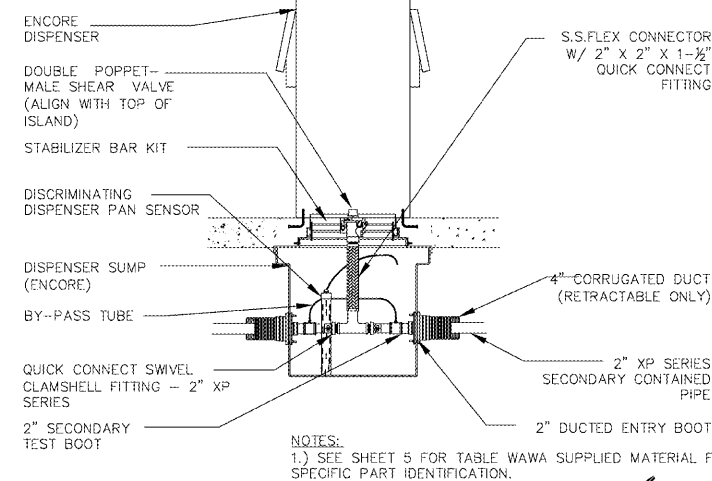
- NOTES:**  
 1. VERIFY WITH BUILDING/ CANOPY DRAWINGS BY ARCHITECT (NOT FOR CONSTRUCTION)  
 2. BOLLARDS BETWEEN DISPENSERS SHALL BE PROVIDED AT END POSITIONS ONLY (VERIFY PLAN WITH LAYOUT).

**B ISLAND PLAN**  
 G-3 SCALE: 1/8" = 1'-0"



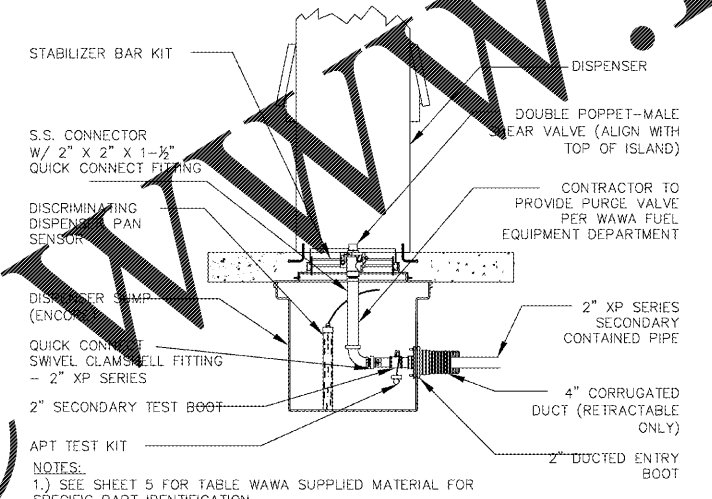
- NOTES:**  
 1. REFER TO BUILDING/ CANOPY DRAWINGS BY ARCHITECT (NOT FOR CONSTRUCTION)  
 2. CURB REVEAL TO BE 6" AT CENTER OF ISLAND FORM (NO MORE, NO LESS)  
 3. BOLLARDS BETWEEN DISPENSERS SHALL BE PROVIDED AT END POSITIONS ONLY (VERIFY PLAN WITH LAYOUT).

**C CANOPY ELEVATION**  
 G-3 SCALE: 1/8" = 1'-0"



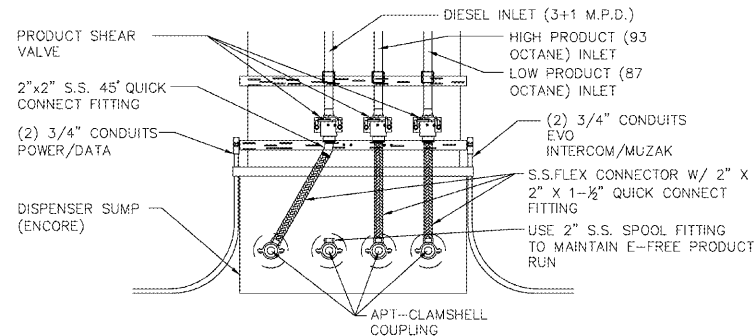
- NOTES:**  
 1.) SEE SHEET 5 FOR TABLE WAWA SUPPLIED MATERIAL FOR SPECIFIC PART IDENTIFICATION.

**D SIDE VIEW DISPENSER SUMP - INLINE**  
 G-3 SCALE: 3/4" = 1'-0"



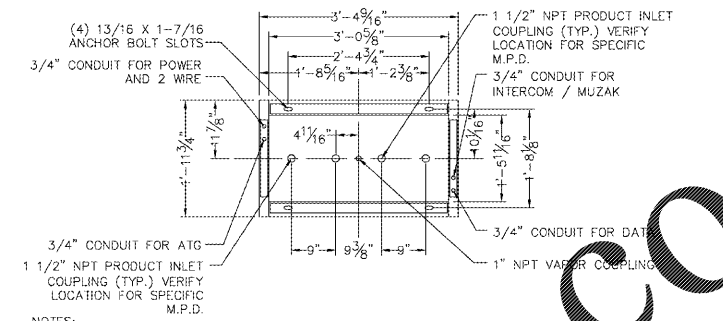
- NOTES:**  
 1.) SEE SHEET 5 FOR TABLE WAWA SUPPLIED MATERIAL FOR SPECIFIC PART IDENTIFICATION.

**E SIDE VIEW DISPENSER SUMP - TERMINATING**  
 G-3 SCALE: 3/4" = 1'-0"



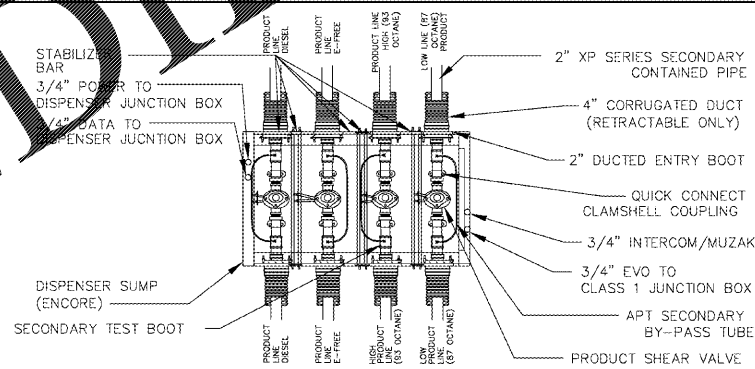
- NOTES:**  
 1.) INSTALL DISPENSER IN ACCORDANCE WITH MANUFACTURER'S INSTRUCTIONS.  
 2.) VERIFY ALL PRODUCT INLETS FOR SPECIFIC TYPE OF DISPENSER BEING INSTALLED PRIOR TO DRILLING SUMP ENTRY BOOT ACCESS HOLES.  
 3.) SEE SHEET 5 FOR TABLE WAWA SUPPLIED MATERIAL FOR SPECIFIC PART IDENTIFICATION.  
 4.) E-FREE PRODUCT RISER WILL NEED TO TIE INTO THE MPD INLET PER MANUFACTURERS INSTRUCTIONS.

**I DISPENSER SUMP-SECTION VIEW 3+1 M.P.D.**  
 G-3 SCALE: 3/4" = 1'-0"



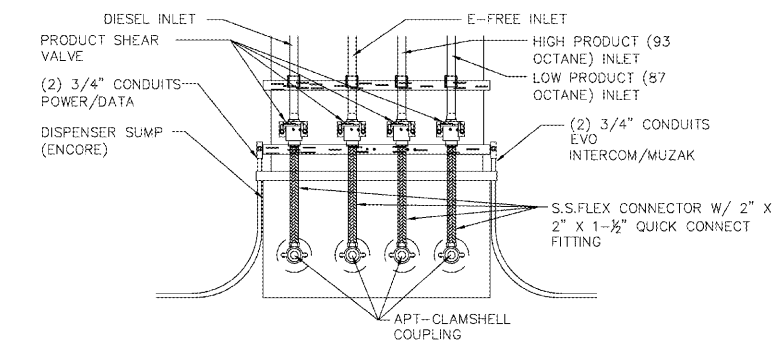
- NOTES:**  
 1. CONTRACTOR IS RESPONSIBLE FOR CORRECT ORIENTATION OF STUB-UP'S TO DISPENSER.  
 2. "STUB - UP" FROM HEADERS MUST MATCH LOCATION SHOWN IN THIS PLAN TO MATCH DISPENSER'S INTERNAL CONFIGURATION.  
 3. CONTRACTOR TO VERIFY DIESEL DISPENSER ORIENTATION WITH WAWA FUEL DEPARTMENT.  
 4. DIMENSIONS SHOWN IN THE VIEW ARE TO BE CENTER TO CENTER UNLESS OTHERWISE NOTED AND CONCRETE GUTOUT CLEARANCES.  
 5. USE CONDUIT KNOCKOUT IN METAL SUMP FOR ALL CEMENT DISPENSER CONDUITS.  
 6. VERIFY ALL PRODUCT INLETS FOR SPECIFIC TYPE OF DISPENSER BEING INSTALLED PRIOR TO DRILLING SUMP ENTRY BOOT ACCESS HOLES.

**F DISPENSER BASE DIMENSIONS**  
 G-3 SCALE: 3/4" = 1'-0"



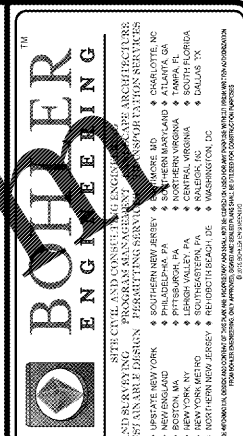
- NOTES:**  
 1.) SEE SHEET 5 FOR TABLE WAWA SUPPLIED MATERIAL FOR SPECIFIC PART IDENTIFICATION.  
 2.) VERIFY ALL PRODUCT INLETS FOR SPECIFIC TYPE OF DISPENSER BEING INSTALLED PRIOR TO DRILLING SUMP ENTRY BOOT ACCESS HOLES.  
 3.) E-FREE PRODUCT RISER WILL NEED TO TIE INTO THE MPD INLET PER MANUFACTURERS INSTRUCTIONS.

**G PLAN VIEW DISPENSER SUMP DETAIL - 3+1+1 M.P.D.**  
 G-3 SCALE: 3/4" = 1'-0"



- NOTES:**  
 1.) INSTALL DISPENSER IN ACCORDANCE WITH MANUFACTURER'S INSTRUCTIONS.  
 2.) VERIFY ALL PRODUCT INLETS FOR SPECIFIC TYPE OF DISPENSER BEING INSTALLED PRIOR TO DRILLING SUMP ENTRY BOOT ACCESS HOLES.  
 3.) SEE SHEET 5 FOR TABLE WAWA SUPPLIED MATERIAL FOR SPECIFIC PART IDENTIFICATION.  
 4.) E-FREE PRODUCT RISER WILL NEED TO TIE INTO THE MPD INLET PER MANUFACTURERS INSTRUCTIONS.

**H DISPENSER SUMP - SECTION VIEW 3+1+1 M.P.D.**  
 G-3 SCALE: 3/4" = 1'-0"



REVISIONS			
REV	DATE	COMMENT	BY



PERMIT SET	
PROJECT No.:	FL1160078
DRAWN BY:	SKK
CHECKED BY:	JGL
DATE:	10/01/2018
SCALE:	
CAD I.D.:	

**WAWA U.S.T. DRAWINGS**

FOR

LOCATION OF SITE  
 9021 STATE ROAD 52  
 HUDSON, FL 34689  
 PASCO COUNTY

**BOHLER ENGINEERING**

3820 NORTHDAL BLVD., SUITE 300B  
 TAMPA, FLORIDA 33624  
 Phone: (813) 812-4100  
 Fax: (813) 812-4101  
 FLORIDA BUSINESS UNIT OF AUII No. 29789  
 LICENSED PROFESSIONAL ENGINEER

**LOWE LAPORTE ENGINEERING**

No. 64211  
 STATE OF FLORIDA  
 LICENSED PROFESSIONAL ENGINEER  
 10/1/2018

SHEET TITLE:

**FLORIDA STACKED 8 SLOPED ROOF**

SHEET NUMBER:  
**3**