

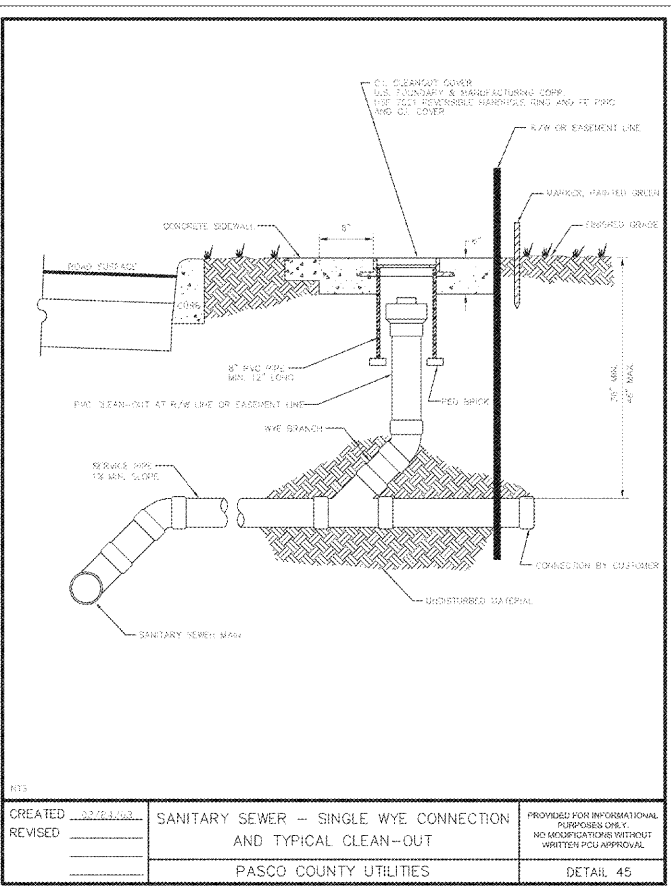
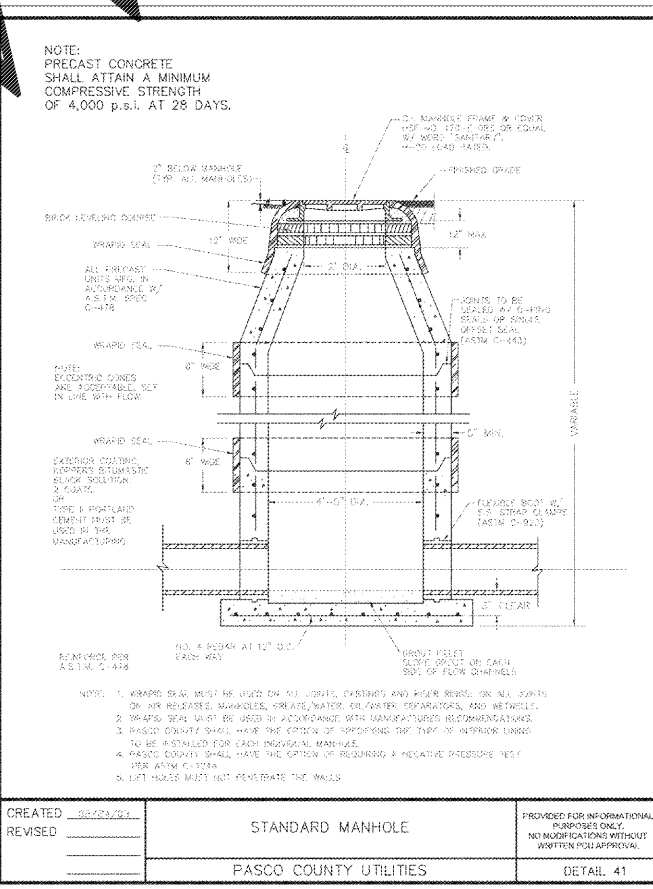
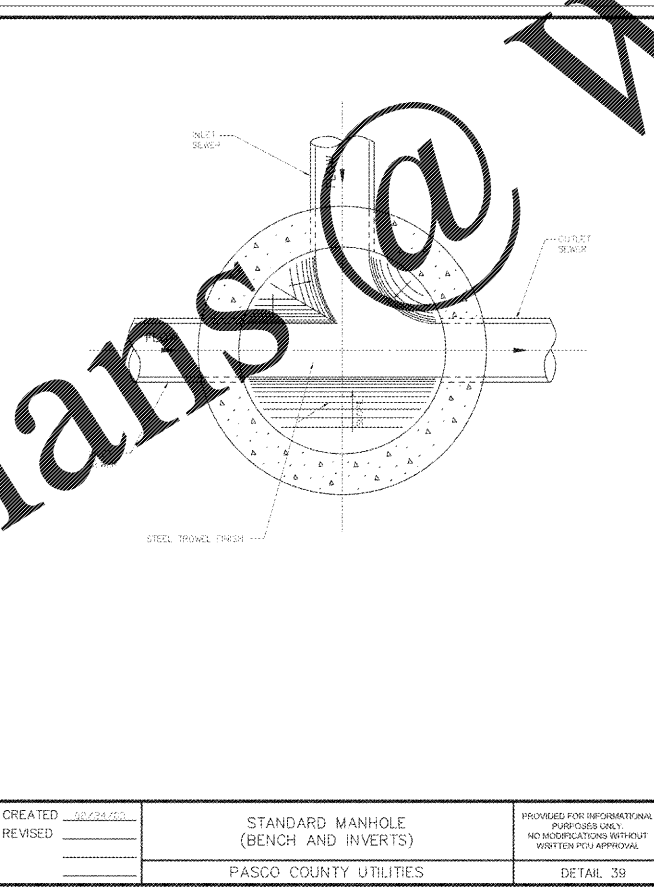
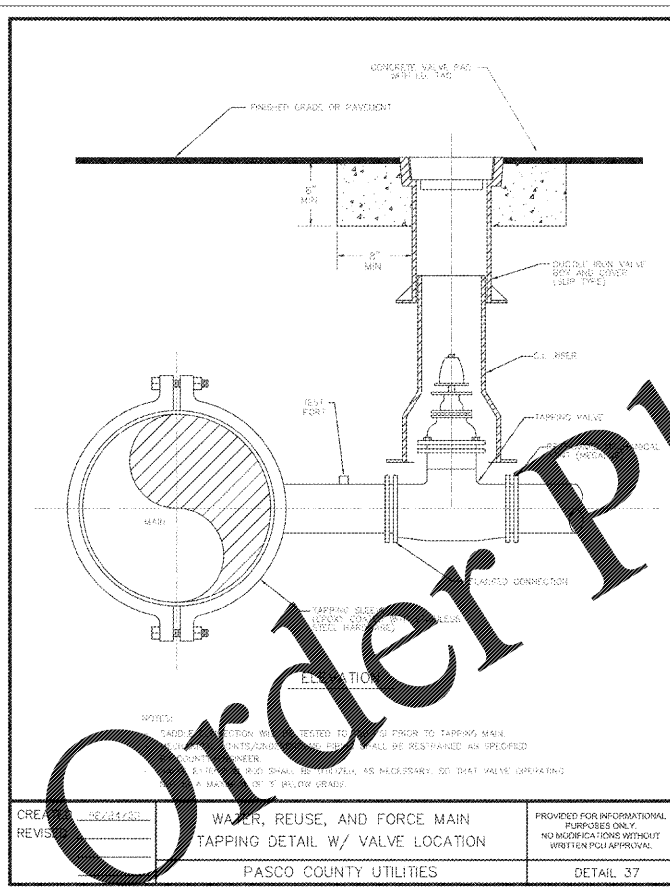
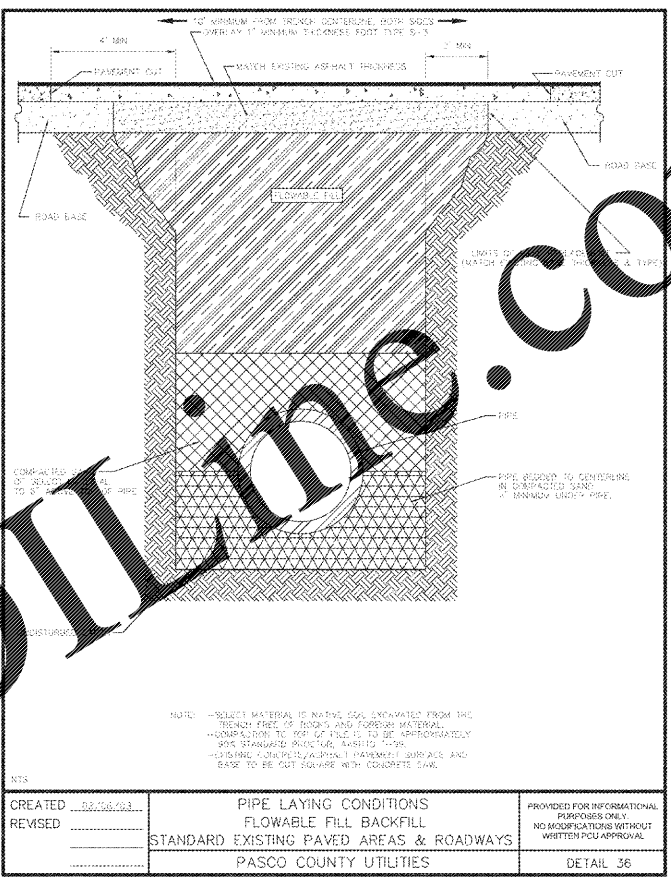
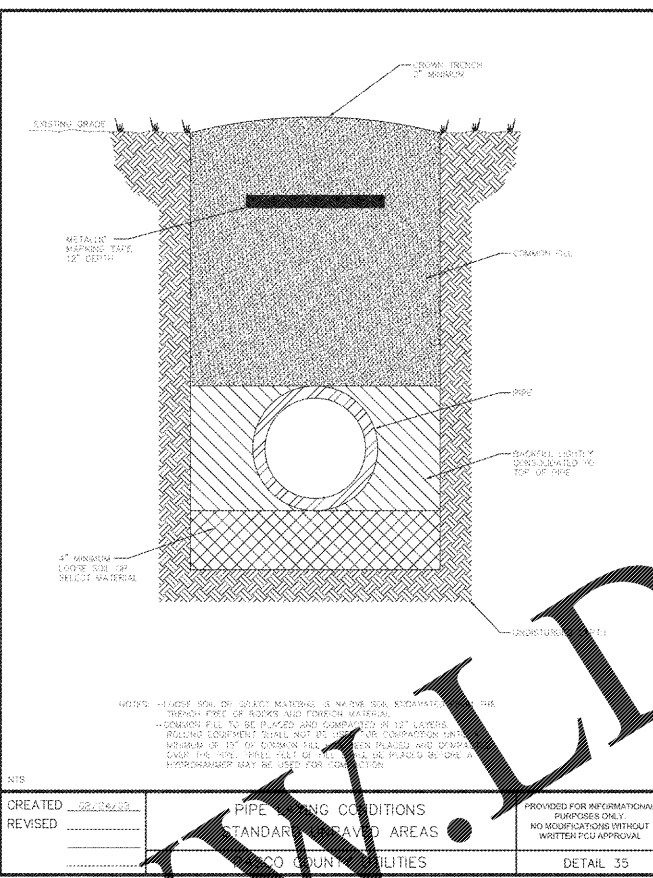
### PIPE RESTRAINT LENGTHS IN FEET COMMON FITTINGS

WATER MAINS - TEST PRESSURE 150 PSI						
PIPE SIZE	FITTING TYPE					DEAD END
	11-1/4°	22-1/2°	45°	90°		
4"	2'	4'	8'	20'	45'	
6"	3'	6'	12'	28'	63'	
8"	4'	7'	15'	36'	82'	
10"	4'	9'	18'	43'	98'	
12"	5'	10'	21'	50'	116'	
16"	6'	13'	26'	63'	148'	
20"	7'	15'	31'	76'	179'	
24"	9'	17'	36'	87'	208'	

FORCE MAINS - TEST PRESSURE 100 PSI						
PIPE SIZE	FITTING TYPE					DEAD END
	11-1/4°	22-1/2°	45°	90°		
4"	1'	3'	6'	13'	30'	
6"	2'	4'	8'	19'	42'	
8"	2'	5'	10'	24'	55'	
10"	3'	6'	12'	29'	66'	
12"	3'	7'	14'	34'	77'	
16"	4'	8'	18'	42'	99'	
20"	5'	10'	21'	50'	119'	
24"	6'	11'	24'	58'	139'	

RESTRAINT LENGTHS ARE MEASURED FROM THE CENTER LINE OF THE FITTING ALONG THE PIPE IN BOTH DIRECTIONS (EXCEPT DEAD ENDS).



**BOHLER ENGINEERING**  
 3829 NORTDALE BLVD., SUITE 3008  
 TAMPA, FLORIDA 33624  
 Phone: (813) 812-4100  
 Fax: (813) 812-4101  
 FLORIDA BUSINESS CERT. OF AUTH. NO. 3878  
 LICENSE NO. 13007-0001-00000001-00000001

REVISIONS				
REV	DATE	COMMENT	BY	
2	2017-07-11	PER COUNTY SURVEYING & FOOT COMMENTS	JDP	
3	2017-10-13	PER COUNTY COMMENTS	JDP	
4	2017-10-27	PER FOOT COMMENTS	JDP	
5	2017-11-30	PER COUNTY UTILITY COMMENTS	JDP	
6	2018-01-02	PER COUNTY & FOOT COMMENTS	JDP	
7	2018-01-25	PER FOOT COMMENTS	JDP	
8	2018-02-06	PER FOOT COMMENTS	JDP	
9	2018-04-05	HYDRAUNT PER FIRE MARSHAL	JDP	
10	2018-09-07	WAWA BID SET	JDP	
11	2018-10-03	PER ROW COMMENTS	SKK	

**KNOW WHAT'S BELOW  
ALWAYS CALL 811  
BEFORE YOU DIG**  
 It's fast. It's free. It's the law.  
[www.callsunshine.com](http://www.callsunshine.com)

**PERMIT SET**

PROJECT No: FLT160078  
 DRAWN BY: JDP  
 CHECKED BY: KSM  
 DATE: 11/03/2018  
 SCALE: N.T.S.  
 CAD ID: SDD

PROJECT:  
**WAWA SR 52 & LITTLE RD**  
 FOR  
  
**RMC PROPERTY GROUP**  
 LOCATION OF SITE:  
 9021 STATE ROAD 52  
 HUDSON, FLORIDA 34669  
 PASCO COUNTY

**BOHLER ENGINEERING**  
 3829 NORTDALE BLVD., SUITE 3008  
 TAMPA, FLORIDA 33624  
 Phone: (813) 812-4100  
 Fax: (813) 812-4101  
 FLORIDA BUSINESS CERT. OF AUTH. NO. 3878  
 LICENSE NO. 13007-0001-00000001-00000001

10/5/2018

SHEET TITLE:  
**COUNTY DETAILS**

SHEET NUMBER:  
**D-6**