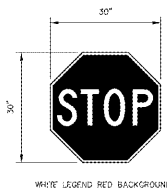
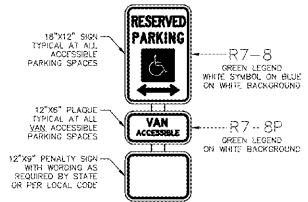


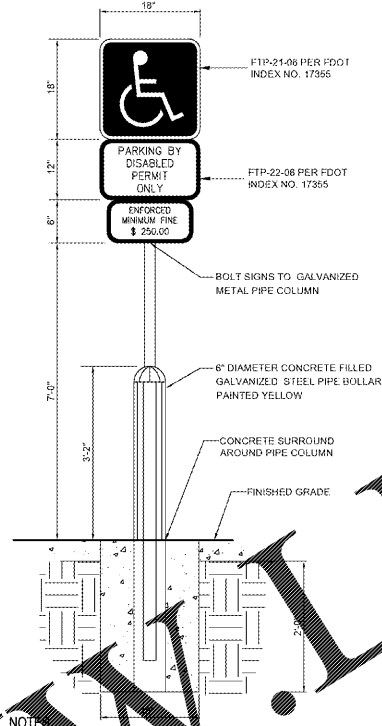
R1-1
36"x36"
"STOP" SIGN
N.T.S.



R1-1
30"x30"
"STOP" SIGN
N.T.S.

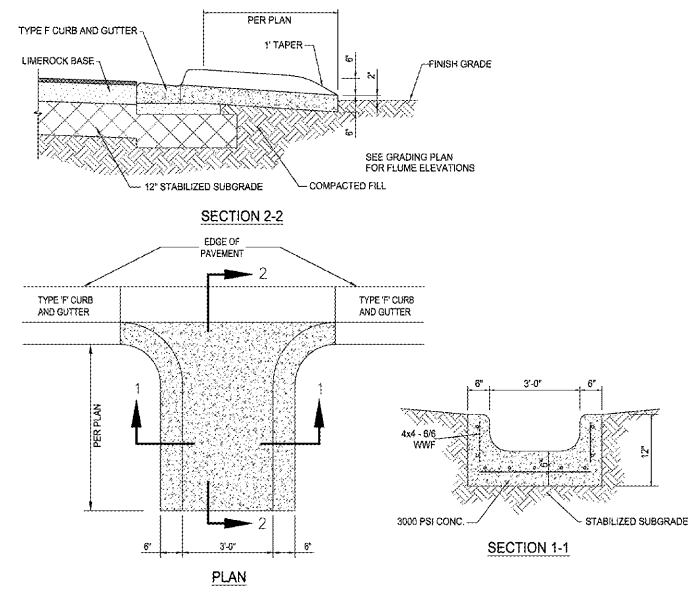


ACCESSIBLE PARKING SIGN
N.T.S.



NOTES
1. HANDICAPPED SIGN SHALL BE SET TO T. (BLUE) COLOR PAVEMENT BORDER LINES (ON EACH SIDE) OF HANDICAPPED SPACE WILL BE OF A BLUE COLOR OF PAINT EQUIVALENT TO SUPER STRIPE TRAFFIC PAINT SOLD BY FOX VALLEY SIGN CO. INC. OF CARY ILLINOIS. PHONE 1-800-323-4770 SHALL BE STRIPED ON THE SURFACE OF EACH SPACE DESIGNED FOR THE HANDICAPPED SPACE.

ACCESSIBLE PARKING SIGN DETAIL
NOT TO SCALE



CONCRETE FLUME DETAIL
NOT TO SCALE

Order Plans @ WWW.LDILine.com

BOHLER ENGINEERING
SOUTH FLORIDA
1800 W. UNIVERSITY BLVD., SUITE 3000
TAMPA, FL 33609
PH: (813) 912-4100
FAX: (813) 912-4101
WWW.BOHLENER.COM

REGISTERED PROFESSIONAL ENGINEERS
REGISTERED PROFESSIONAL SURVEYORS
REGISTERED PROFESSIONAL LAND SURVEYORS

- FLORIDA
- ALABAMA
- ARIZONA
- CALIFORNIA
- CONNECTICUT
- DELAWARE
- ILLINOIS
- INDIANA
- IOWA
- KANSAS
- KENTUCKY
- LOUISIANA
- MAINE
- MARYLAND
- MASSACHUSETTS
- MICHIGAN
- MINNESOTA
- MISSISSIPPI
- MISSOURI
- MONTANA
- NEBRASKA
- NEVADA
- NEW HAMPSHIRE
- NEW JERSEY
- NEW YORK
- NORTH CAROLINA
- NORTH DAKOTA
- OHIO
- OKLAHOMA
- OREGON
- PENNSYLVANIA
- RHODE ISLAND
- SOUTH CAROLINA
- TENNESSEE
- TEXAS
- UTAH
- VIRGINIA
- WASHINGTON
- WEST VIRGINIA
- WISCONSIN
- WYOMING

REV	DATE	COMMENT	BY
2	2017-07-11	PER COUNTY, SURVING & FOOT COMMENTS	JDP
3	2017-10-13	PER COUNTY COMMENTS	JDP
4	2017-10-27	PER FOOT COMMENTS	JDP
5	2017-11-30	PER COUNTY UTILITY COMMENTS	JDP
6	2018-01-02	PER COUNTY & FOOT COMMENTS	JDP
7	2018-01-25	PER FOOT COMMENTS	JDP
8	2018-02-06	PER FOOT COMMENTS	JDP
9	2018-04-05	HYDRANT PER FIRE MARSHAL	JDP
10	2018-09-07	WAWA BID SET	JDP
11	2018-10-03	PER ROW COMMENTS	SKK

811 KNOW WHAT'S BELOW ALWAYS CALL 811 BEFORE YOU DIG
It's fast. It's free. It's the law.
www.callsunshine.com

PERMIT SET

PROJECT NO:	FL160078
DRAWN BY:	JDP
CHECKED BY:	KSM
DATE:	11/02/2018
SCALE:	N.T.S.
CAD ID:	SD0

WAWA SR 52 & LITTLE RD
FOR
RMC PROPERTY GROUP
LOCATION OF SITE
9021 STATE ROAD 52
HUDSON, FLORIDA 34689
PASCO COUNTY

BOHLER ENGINEERING
3820 NORTHDALE BLVD., SUITE 3000
TAMPA, FLORIDA 33624
Phone: (813) 912-4100
Fax: (813) 912-4101
FLORIDA BUSINESS CERT. OF AUTH. NO. 3798
LICENSED PROFESSIONAL ENGINEER NO. C37660

SHEET TITLE: **CONSTRUCTION DETAILS**
SHEET NUMBER: **D-1**

DATE: 10/5/2018