

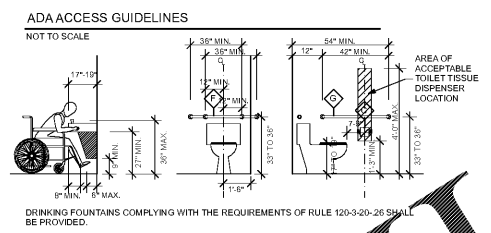
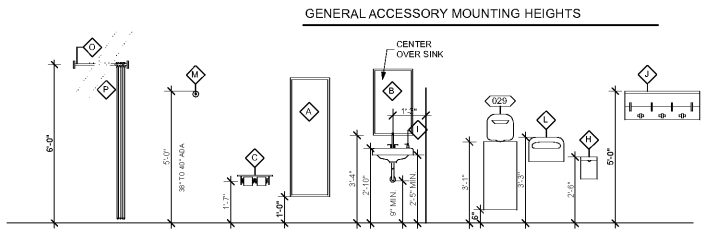


**PEA ARCHITECTS**  
 875 W. TERRELL RD. PKWY  
 ATLANTA, GEORGIA 30328  
 404.247.5200 PHONE  
 404.214.5208 FAX

ACCESSORY SCHEDULE						
ITEM NO.	DESCRIPTION	CONTRACTOR SUPPLY	OTHERS SUPPLY	MANUF.	MODEL NUMBER	REMARKS
A	MIRROR	●	●	BOGREN	S-118-200	
B	MIRROR	●	●	BOGREN	S-116-245	
C	TOILET TISSUE DISPENSER	●	●	BOGREN	S-38-0	
D	12" HANDICAP GRAB BAR	●	●	BOGREN	S-880-18-99	
E	30" HANDICAP GRAB BAR	●	●	BOGREN	S-880-30-99	
F	30" HANDICAP GRAB BAR	●	●	BOGREN	S-880-30-99	
G	42" HANDICAP GRAB BAR	●	●	BOGREN	S-880-42-99	
H	FEMINE PRODUCT RECEPT	●	●	BOGREN	S-070	
I	AUTOMATIC SOAP DISPENSER	●	●	BOGREN	S-820-18	(1)
J	TOIP & BROOM HOLDER SHELF	●	●	BOGREN	S-200	
K	COENR SHOWER SHELF	●	●	DALTLE	271-13	(2)
L	SEAT COVER DISPENSER	●	●	BOGREN	DAMCO TSC-1	
M	TOWEL HOOKS	●	●	BOGREN	S-8777	
N	SHOWER SEAT	●	●	BOGREN	S-8101	(3)
O	HEAVY DUTY SHOWER ROD	●	●	BOGREN	S-207	
P	SHOWER HOOKS/ CURTAIN	●	●	BOGREN	S-024-10242	

- ACCESSORY REMARKS**
- GC TO COORDINATE FINAL LOCATION OF COUNTER MOUNTED SOAP DISPENSER WITH MILLWORK FABRICATOR/INSTALLER; VERIFY SOAP DISPENSER OVERHANGS LAVATORY BOWL.
  - SHOWER SHELVES TO BE INCORPORATED INTO WALL TILE INSTALLATION AT SHOWERS; REFERENCE SPECIFICATION SECTION 100310 PORCELAIN & CERAMIC TILE FOR ADDITIONAL INFORMATION.
  - GC TO INSTALL THE SHOWER SEAT IN COMPLIANCE WITH ADA GUIDELINE; BLOCK WALLS TO SUPPORT REQUIRED WEIGHT LOADS.

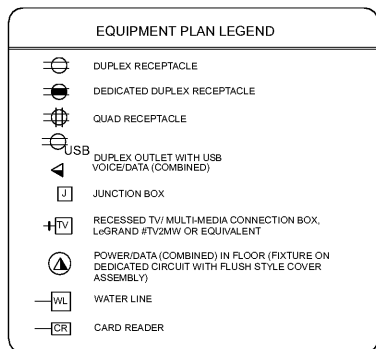
- GENERAL ACCESSORY NOTES:**
- REFERENCE ACCESSORY PLAN FOR LOCATION OF ITEMS AND SPECIFICATION SECTION FOR ADDITIONAL INFORMATION; IT IS THE CONTRACTOR AND SPECIALTY VENDORS RESPONSIBILITY TO VERIFY ALL QUANTITIES.
  - PROVIDE BLOCKING BEHIND ALL MOUNTED EQUIPMENT AT HEIGHTS REQUIRED TO ANCHOR TO WALL. WOOD BLOCKING SHALL BE FIRE RETARDANT TREATED IN RATED PARTITIONS.
  - REFER TO GENERAL ACCESSORY MOUNTING HEIGHTS FOR MOUNTING HEIGHTS.
  - REFER TO SPECIFICATION SECTION 102115 PLASTIC TOILET COMPARTMENTS FOR ADDITIONAL INFORMATION; REFER TO XXX PLAN FOR DIMENSIONS AND REQUIRED CLEAR FLOOR SPACES FOR ADA COMPLIANCE.
  - SIGNAGE FOR RESTROOMS SHALL BE RAISED AND BRaille CHARACTERS AND PICTORIAL SYMBOL SIGNS. SIGNS SHALL BE INSTALLED ON THE WALL ADJACENT TO THE LATCH SIDE OF THE DOOR. WHERE THERE IS NO WALL SPACE TO THE LATCH SIDE OF THE DOOR, INCLUDING AT DOUBLE LEAF DOORS, SIGNS SHALL BE PLACED ON THE NEAREST ADJACENT WALL. MOUNTING HEIGHT SHALL BE 60 INCHES ABOVE THE FINISH FLOOR TO THE CENTERLINE OF THE SIGN.
- PLUMBING NOTES:**
- TOILET OPERATOR MECHANISM SHALL BE OPPOSITE THE NEAREST WALL TYP.
  - HOT WATER AND DRAIN PIPES UNDER LAVATORIES SHALL BE INSULATED OR OTHERWISE CONFIGURED TO PROTECT AGAINST CONTACT. THERE SHALL BE NO SHARP OR ABRASIVE SURFACES UNDER LAVATORIES.



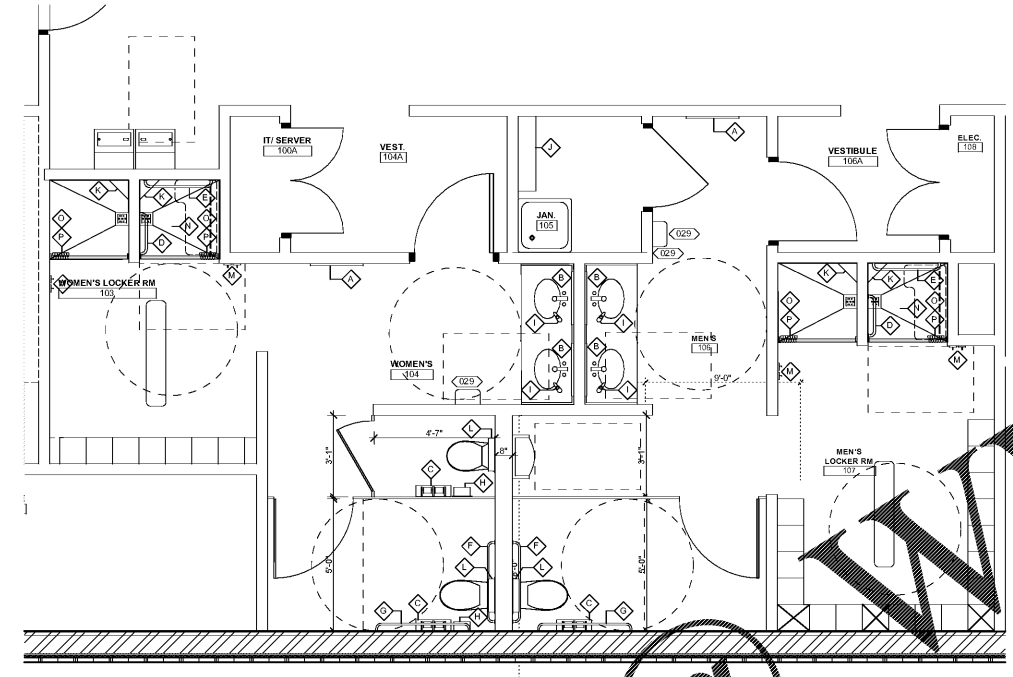
- GENERAL NOTES**
- ALL RECEPTACLES @ 18" A.F.F. UNLESS NOTED OTHERWISE.
  - ALL ELECTRICAL AND VOICE/DATA COVERPLATES TO HAVE BRUSHED ALUMINUM STAINLESS STEEL FINISH. SUBMIT SAMPLE TO ARCHITECT FOR APPROVAL.
  - PRIOR TO ROUGH-IN, CONTRACTOR SHALL COORDINATE EXACT LOCATION OF ALL WIRING DEVICES WITH MILLWORK ELEVATIONS TO AVOID CONFLICTS WITH CASEWORK, COUNTER TOPS, DOOR SWINGS, ETC. WHERE CONFLICTS OCCUR, CONTRACTOR SHALL CONTACT ARCHITECT FOR RESOLUTION.
  - PRIOR TO ROUGH-IN, CONTRACTOR SHALL VERIFY POWER REQUIREMENTS OF ALL OWNER'S FITNESS EQUIPMENT TO BE RELOCATED. EQUIPMENT PLANNING SHALL BE PURCHASED BY THE OWNER BEFORE BUILDING OCCUPANCY.

EQUIPMENT SCHEDULE						
ITEM NO.	DESCRIPTION	CONTRACTOR SUPPLY	OWNER SUPPLY	RELOCATED	POWER REQUIRED	REMARKS
001	MOTORIZED PROJECTOR SCREEN	●	●	●	NO	YES
002	PROJECTOR (PT. TO BE SUPPLIED CLG.)	●	●	●	NO	YES
003	FLAT PANEL TV MONITOR	●	●	●	NO	YES
004	FLAT PANEL TV MONITOR	●	●	●	NO	YES
005	B.L.C. BENCH COOLER	●	●	●	NO	YES
006	MOBILE TRUCK CHAIRS	●	●	●	NO	NO
007	24" X 72" METAL TRAINING TABLES	●	●	●	NO	NO
008	2" BENCH LOCKER	●	●	●	NO	NO
009	PROJECTOR	●	●	●	YES	YES
010	MICROWAVE OVEN	●	●	●	NO	YES
011	COFFEE	●	●	●	NO	YES
012	PLATE GLASS MIRROR	●	●	●	NO	NO
013	FRIDGEBLE	●	●	●	NO	NO
014	ELLIPTICAL MACHINE	●	●	●	NO	YES
015	EXERCISE BIKE	●	●	●	NO	YES
016	BENCH PRESS CAGE	●	●	●	NO	NO
017	SITTING CHEST FLY	●	●	●	NO	NO
018	VERTICAL KNEE RAISE	●	●	●	NO	NO
019	WHEEL WEIGHTS RACK	●	●	●	NO	NO
020	LOCKER BENCHES; FLOOR MTD.	●	●	●	NO	NO
021	WATER COOLER/ DISPENSER	●	●	●	NO	YES
022	MULTI-GYM	●	●	●	NO	NO
023	TASK CHAIR	●	●	●	NO	NO
024	EXECUTIVE "X" DESK (LHRH)	●	●	●	NO	NO
025	EXECUTIVE CRENDENZA	●	●	●	NO	NO
026	GUEST CHAIR	●	●	●	NO	NO
027	HIGH TOP MALL	●	●	●	NO	NO
028	BREAK ROOM TOOL	●	●	●	NO	NO
029	AUTO. HAND DRYER/ WALL PANEL	●	●	●	NO	YES
030	CEILING FAN MTD. ON DOWNROD	●	●	●	NO	YES

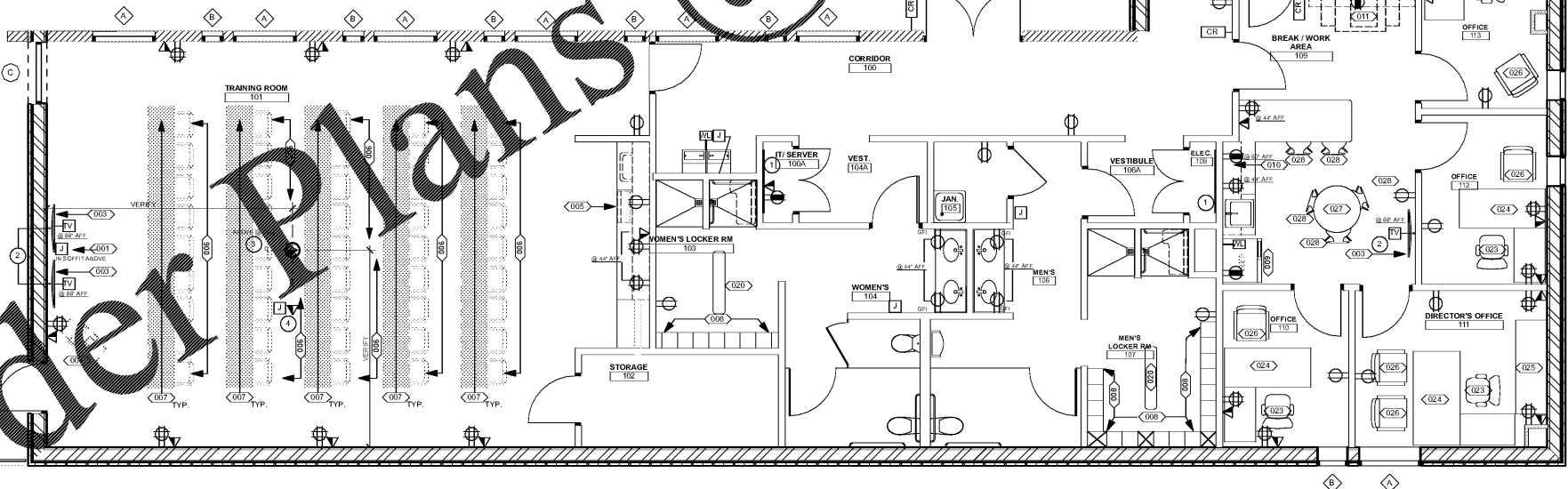
- EQUIPMENT REMARKS**
- GC TO PROVIDE POWER AND DATA AT CEILING FOR OWNERS CEILING MOUNTED PROJECTOR; PROVIDE A CONDUIT CONNECTION TO BOTH THE FLOOR BOX AND THE INSTRUCTOR'S CONNECTION (DATA BOX) AT THE FRONT WALL TO CONTROL THE PROJECTOR FROM VARIOUS LOCATIONS; COORDINATE WITH OWNERS AV VENDOR.
  - CONTRACTOR TO PROVIDE A CONDUIT FOR A FUTURE CONNECTION FROM BOTH THE FLOOR BOX AND THE INSTRUCTOR'S CONNECTION (DATA BOX) AT THE FRONT WALL TO BOTH RECESSED TV BOXES FOR MONITORS; COORDINATE WITH OWNERS AV VENDOR.
  - ALL APPLIANCES TO BE PROVIDED BY THE OWNER, BOTH NEW AND RELOCATED EXISTING. CONTRACTOR AND MILLWORK FABRICATOR TO VERIFY REQUIRED CLEARANCES FOR ALL APPLIANCES AND EQUIPMENT TO BE INCORPORATED INTO THE MILLWORK; IF OWNERS EXISTING TO BE RELOCATED, IT IS THE GC'S RESPONSIBILITY TO VERIFY DIMENSIONS.
  - EXISTING TO BE RELOCATED BY THE OWNER; ALL FILLER PANELS, ANCHORING AND CONNECTIONS BY OWNER OR OWNERS VENDOR.
  - INSTALL 4" X 6" MIRRORS VERTICALLY @ 6" A.F.F. MASTIC TO WALL FOR PERMANENT ADHESION WITH J-BARS AT TOP AND BOTTOM OF EACH LOCATION WHERE MIRROR PANELS ARE SCHEDULED.
  - WALL MOUNTED HAND DRYER WITH WALL PROTECTION PANEL; REFERENCE SPECIFICATIONS 102115 TOILET ACCESSORIES; COORDINATE WITH ELECTRICAL FOR FINAL LOCATION OF J-BOX FOR POWER.
  - CEILING FAN WITH DOWNROD MOUNTING FOR SLOPED CEILING TO BE PURCHASED BY THE OWNER; GC TO COORDINATE WITH ELECTRICAL FOR FINAL LOCATION OF J-BOX FOR POWER AND VERIFY INSTALLED HEIGHT TO AVOID ANY CONFLICTS WITH LIGHTING FIXTURES, DUCTWORK, ETC. CONTRACTOR TO PROVIDE CONCEALED BLOCKING ABOVE THE CEILING ADEQUATE FOR THE SIZE OF THE FAN AND LENGTH OF THE DOWNROD.



- EQUIPMENT KEY NOTES**
- GC TO PROVIDE A PAINTED PRT PLYWOOD BACKER BOARD FOR TELECOM VENDOR AND ELECTRICAL DEMARC; INSTALL TIGHT TO CEILING; COORDINATE FINAL LOCATION AND HEIGHT WITH OWNERS IT VENDOR AND POWER PROVIDER.
  - CONTRACTOR TO PROVIDE BLOCKING, POWER AND DATA TO SPECIFIED RECESSED TV BOXES FOR WALL MOUNTED FLAT PANEL TV MONITORS; VERIFY FINAL LOCATION AND HT. WITH OWNER PRIOR TO ROUGH-IN OF BOX; OWNER TO COORDINATE CABLE TV CONNECTION WITH OUTSIDE VENDOR.
  - GC TO VERIFY LOCATION OF RECESSED FLOOR BOX PRIOR TO ROUGH-IN OF SLAB; COORDINATE WITH OWNERS AV AND IT VENDORS.
  - REFERENCE KEYNOTE ON REFLECTED CEILING PLAN REGARDING CEILING MOUNTED PROJECTOR LOCATION.



**2 ACCESSORY PLAN**  
 A3.40 SCALE: 3/8" = 1'-0"



**EQUIPMENT PLAN**  
 A3.40 SCALE: 1/4" = 1'-0"

RELOCATED TRAINING CENTER  
 FOR  
 THE FLOYD COUNTY JAIL  
 2526 NEW CALHOUN HIGHWAY N.E.  
 ROME, GEORGIA 30161

DATE	REVISION

PROJECT NO:  
 420.03.01  
 DATE:  
 JULY 17, 2018  
 DRAWING TITLE:  
 EQUIPMENT PLAN

**A3.40**

THIS DRAWING AND ANY REPRODUCTIONS THEREOF ARE THE PROPERTY AND COPYRIGHT OF PEA ARCHITECTS, INC. AND MAY NOT BE REPRODUCED OR TRANSMITTED IN ANY FORM OR BY ANY MEANS WITHOUT THE EXPRESS WRITTEN PERMISSION OF PEA ARCHITECTS, INC.